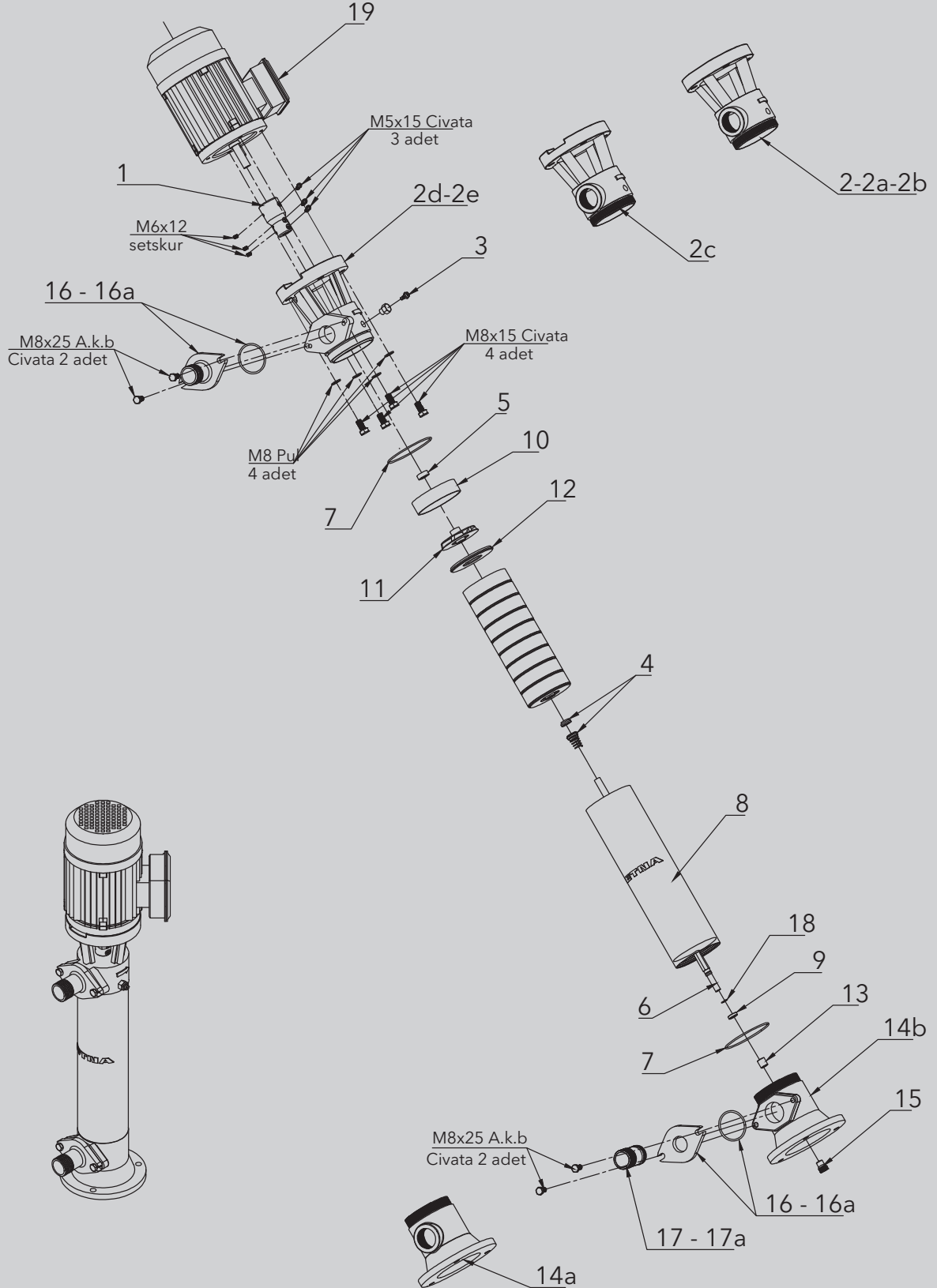


Yedek Parça Fiyat Listesi 2026/1

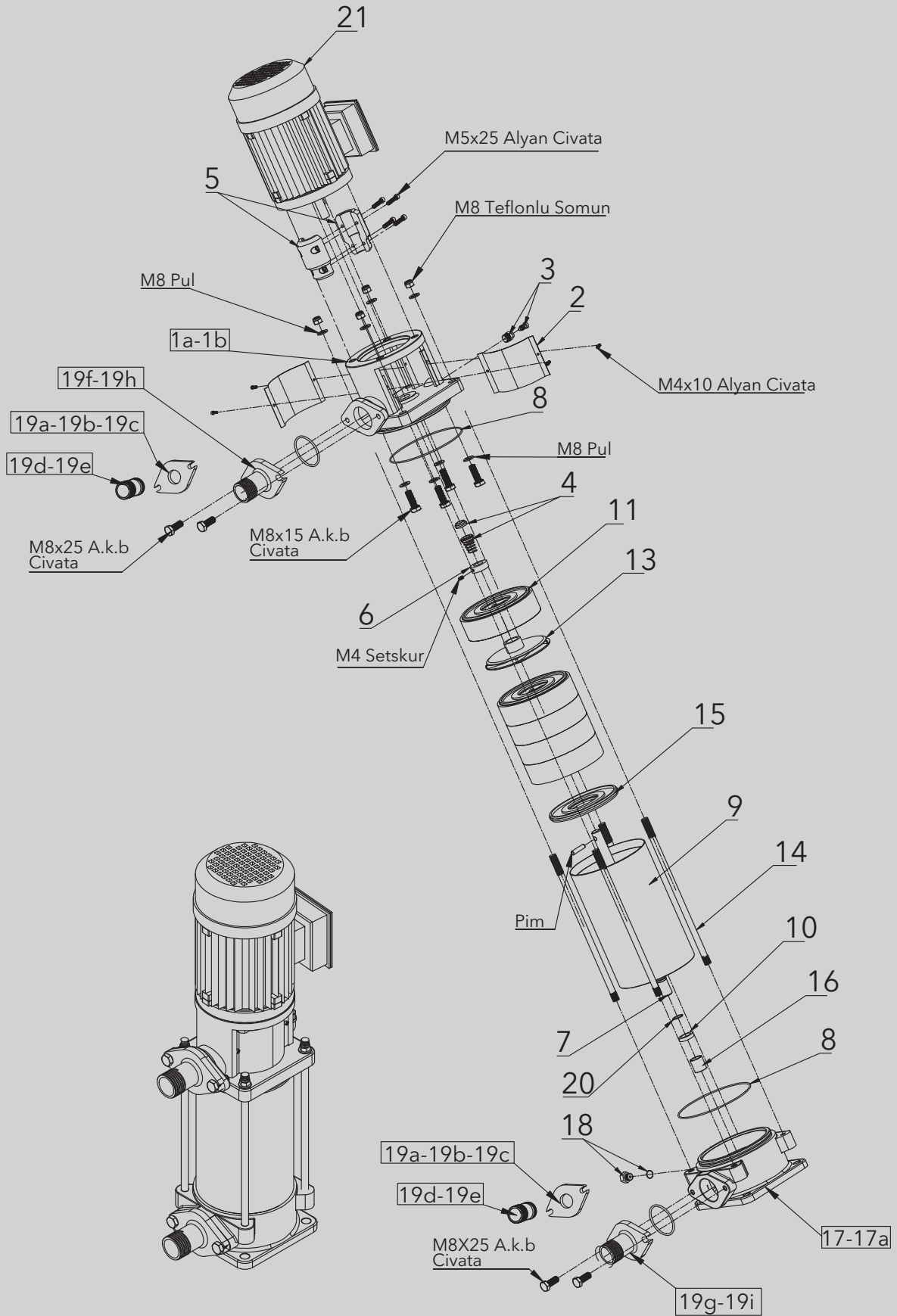
EPH SERİSİ

| NO | KOD | PARÇA ADI | LİSTE SATIŞ FİYATI |
|--------------|------------------|---|--------------------|
| 1 | 019 1008 004 | KAPLİN 12-19 (B8 - B10 - B12 - B15 - C7 - C9 - C12) | 22,09 \$ |
| | 019 1004 004 | KAPLİN 12-14(B6) | 27,59 \$ |
| | 019 2009 004 | KAPLİN 12-24 (C15) | 31,04 \$ |
| 2 | 019 1006 001 | ÜST KAFA 70 GÖV.(B6) (Dişli) (Yeni Flanşlı) | 1.663,50 ₺ |
| 2a | 019 1008 001 | ÜST KAFA 80 GÖVDE (B8-B10-B12-C7) (Dişli) | 1.562,65 ₺ |
| 2b | 019 2009 001 | ÜST KAFA 90 GÖVDE (B15-C9-C12-C14-C15) (Dişli) | 1.739,13 ₺ |
| 2c | 019 2009 001 | ÜST KAFA 90 GÖVDE (B15-C9-C12-C14-C15) (Dişli - Kalın Flanşlı) | 1.739,13 ₺ |
| 2d | 019 1008 001 | ÜST KAFA 80 GÖVDE (B8-B10-B12-C7) (Yeni - Flanşlı) | 1.919,27 ₺ |
| 2e | 019 2009 001 | ÜST KAFA 90 GÖVDE (B15-C9-C12-C14-C15) (Yeni Flanşlı) | 2.020,12 ₺ |
| 3 | 019 0000 008 | POMPA TAH. GÖVDESİ (1/4 PURJÖR) | 88,24 ₺ |
| 4 | 019 0000 001 | O 12 MEKANİK SALMASTRA | 3,11 \$ |
| 5 | 019 0000 012 | EPB/C -KO 4-7 KİLİT BURCU | 56,35 ₺ |
| 6 | 019 1006 003 | POMPA MİLİ PB 6 | 14,65 \$ |
| | 019 1008 003 | POMPA MİLİ PB 8 | 15,18 \$ |
| | 019 1010 003 | POMPA MİLİ PB 10 | 15,75 \$ |
| | 019 1012 003 | POMPA MİLİ PB 12 | 16,32 \$ |
| | 019 1012 003 | POMPA MİLİ PB 15 | 17,17 \$ |
| | 019 2007 003 | POMPA MİLİ PC 7 | 15,43 \$ |
| | 019 2009 003 | POMPA MİLİ PC 9 | 16,14 \$ |
| | 019 2012 003 | POMPA MİLİ PC 12 | 17,22 \$ |
| | 019 2014 003 | POMPA MİLİ PC 14 | 18,07 \$ |
| 019 2015 003 | POMPA MİLİ PC 15 | 18,43 \$ | |
| 7 | 019 0000 004 | 85*3.53 MM O-RİNG | 22,06 ₺ |
| 8 | 019 1006 002 | KILIF PB 6 | FİYAT SORUNUZ |
| | 019 1008 002 | KILIF PB 8 | FİYAT SORUNUZ |
| | 019 1010 002 | KILIF PB 10 | FİYAT SORUNUZ |
| | 019 1012 002 | KILIF PB 12 | FİYAT SORUNUZ |
| | 019 1015 002 | KILIF PB 15 | FİYAT SORUNUZ |
| | 019 2007 002 | KILIF PC 7 | FİYAT SORUNUZ |
| | 019 2009 002 | KILIF PC 9 | FİYAT SORUNUZ |
| | 019 2012 002 | KILIF PC 12 | FİYAT SORUNUZ |
| | 019 2014 002 | KILIF PC 14 | FİYAT SORUNUZ |
| 019 2015 002 | KILIF PC 15 | FİYAT SORUNUZ | |
| 9 | 019 0000 009 | EPH-KO 4/7 SEGMAN BURCU | 37,35 ₺ |
| 10 | 019 1000 002 | DİFÜZÖR B SERİSİ | 1,72 € |
| | 019 2000 002 | DİFÜZÖR C SERİSİ | 2,04 € |
| 11 | 019 1000 001 | FAN B SERİSİ | 1,65 € |
| | 019 2000 001 | FAN C SERİSİ | 1,65 € |
| 12 | 019 1000 003 | DİSK B SERİSİ | 0,80 € |
| | 019 2000 003 | DİSK C SERİSİ | 0,86 € |
| 13 | 001 2000 019 | ARA YATAK BURCU B-C 001 | 1,26 € |
| 14a | 019 0000 003 | ALT KAFA (Dişli) | 1.865,19 ₺ |
| 14b | 019 0000 003 | ALT KAFA (Yeni - Flanşlı) | 1.865,19 ₺ |
| 15 | 016 1000 015 | AYAR VİDASI | 78,79 ₺ |
| 16 | 001 5950 002 | KO 90 POMPA FLANŞI 1 1/4" VE ORİNG | 356,30 ₺ |
| 16a | 001 5950 001 | EPC POMPA FLANŞI 1" VE ORİNG | 356,30 ₺ |
| 17 | 001 5951 004 | 1 1/4" POMPA NİPELİ | 92,72 ₺ |
| 17a | 001 5951 002 | 1" POMPA NİPELİ | 92,72 ₺ |
| 18 | 019 0000 010 | SEGMAN BURC YAYI Q11 | 10,30 ₺ |
| 19 | | MOTOR (0,55 KW - 0,75 KW -1,1 KW - 1, 5 KW - 2,2 KW) | FİYAT SORUNUZ |



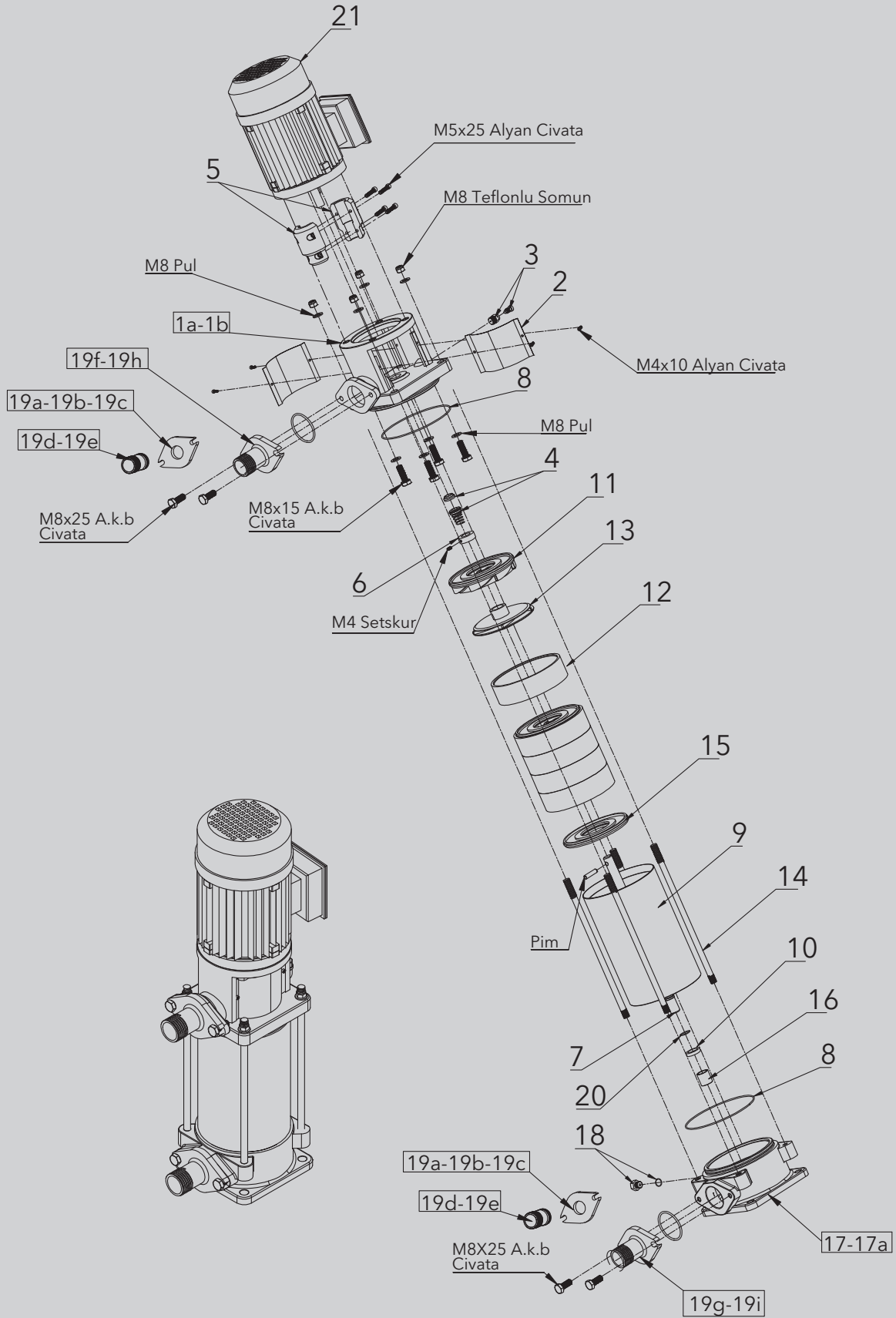
KO 4-7 SERİSİ

| NO | KOD | PARÇA ADI | LİSTE SATIŞ FİYATI |
|-----|--------------|-------------------------------------|--------------------|
| 1 a | 025 0700 002 | UST KAFA KO 4-7 Ton 80'lik | 1.919,27 ₺ |
| 1 b | 025 0700 003 | UST KAFA KO 4-7 Ton 90' lik | 2.020,12 ₺ |
| 2 | 025 0700 008 | KAPLİN MUH.SACI KO 4-7 80'lik | 1,58 \$ |
| | 025 0700 009 | KAPLİN MUH.SACI KO 4-7 90'lik | 1,58 \$ |
| 3 | 019 0000 008 | POMPA TAHLİYE GÖVDESİ | 41,60 ₺ |
| 4 | 019 0000 001 | MEKANİK SALMASTRA Q 12 K. | 3,11 \$ |
| 5 | 025 0700 005 | KAPLİN KO Ø19/80 G 0,7-1,1 KW (TK) | 11,91 \$ |
| | 025 0700 006 | KAPLİN KO Ø24/90G 1,5-2,2 KW (TK) | 12,53 \$ |
| | 0250700012 | KAPLİN PİMİ Q4X20 MM (KO 4-7) | 15,41 ₺ |
| 6 | 019 0000 010 | SEGMAN BURC YAYI Q11 | 3,47 ₺ |
| | 019 0000 012 | EPB/C KİLİT BURCU | 43,49 ₺ |
| 7 | 025 0404 001 | MİL KO 4/4 - 7/4 L=207 | 13,90 \$ |
| | 025 0406 001 | MİL KO 4/6 - 7/6 L=255 | 14,50 \$ |
| | 025 0407 001 | MİL KO 4/7 - 7/7 L= 279 | 14,80 \$ |
| | 025 0408 001 | MİL KO 4/8 - 7/8 L= 303 | 15,11 \$ |
| | 025 0409 001 | MİL KO 4/9 - 7/9 L=327 | 15,43 \$ |
| | 025 0710 001 | MİL KO 7/10 L=323 | 15,76 \$ |
| 8 | 025 0400 012 | 120,32x2,62 NBR70 O'RİNG KO4-7 | 0,38 \$ |
| 9 | 025 0404 002 | KILIF KO 4/4 - 7/4 L=118 | 19,03 \$ |
| | 025 0406 002 | KILIF KO 4/6 - 7/6 L=166 | 23,11 \$ |
| | 025 0407 002 | KILIF KO 4/7 - 7/7 L=190 | 25,15 \$ |
| | 025 0408 002 | KILIF 4/8 - 7/8 L=214 | 27,18 \$ |
| | 025 0409 002 | KILIF 4/9 7/9 L=238 | 29,22 \$ |
| | 025 0710 002 | KILIF 7/10 L=262 | 31,26 \$ |
| 10 | 019 0000 009 | EPH-KO 4/7 SEGMAN BURCU | 37,35 ₺ |
| 11 | 025 0400 011 | DİFÜZÖR KO 4 | 3,50 € |
| | 025 0700 011 | DİFÜZÖR KO 7 | 3,50 € |
| 13 | 025 0400 008 | FAN KO 4 | 1,97 € |
| | 025 0400 010 | FAN KO 7 | 1,97 € |
| 14 | 025 0404 003 | SAPLAMA KO 4/4 7/4 L=167 | 1,38 \$ |
| | 025 0406 003 | SAPLAMA KO 4/6 - 7/6 L=215 | 1,50 \$ |
| | 025 0407 003 | SAPLAMA KO 4/7 - 7/7 L=239 | 1,56 \$ |
| | 025 0408 003 | SAPLAMA KO 4/8 7/8 L=263 | 1,62 \$ |
| | 025 0409 003 | SAPLAMA KO 4/9 7/9 L=287 | 1,67 \$ |
| | 025 0710 003 | SAPLAMA KO 7/10 L=311 | 1,73 \$ |
| 15 | 025 0400 904 | DİSK KO 4 | 1,59 € |
| | 025 0700 910 | DİSK KO 7 | 1,59 € |
| 16 | 001 2000 019 | ARA YATAK BURCU B-C SB-012 | 1,26 € |
| 17 | 025 0700 001 | ALT KAFA KO 4 - 7 | 1.868,85 ₺ |
| 18 | 019 1000 004 | HUNİ TAPASI(1/4 SARI KÖRTAPA) | 27,73 ₺ |
| 19a | 001 5950 001 | EPC POMPA FLANŞI 1" VE O-RİNG | 356,30 ₺ |
| | 001 5950 002 | KO 90 POMPA FLANŞI 1 1/4" ve O-RİNG | 348,64 ₺ |
| 19d | 001 5951 004 | POMPA NİPELİ 1 1/4" | 92,72 ₺ |
| 19e | 001 5951 002 | POMPA NİPELİ 1" | 92,72 ₺ |
| 21 | | MOTOR (0,7-1,1 1,5-2,2) | FİYAT SORUNUZ |



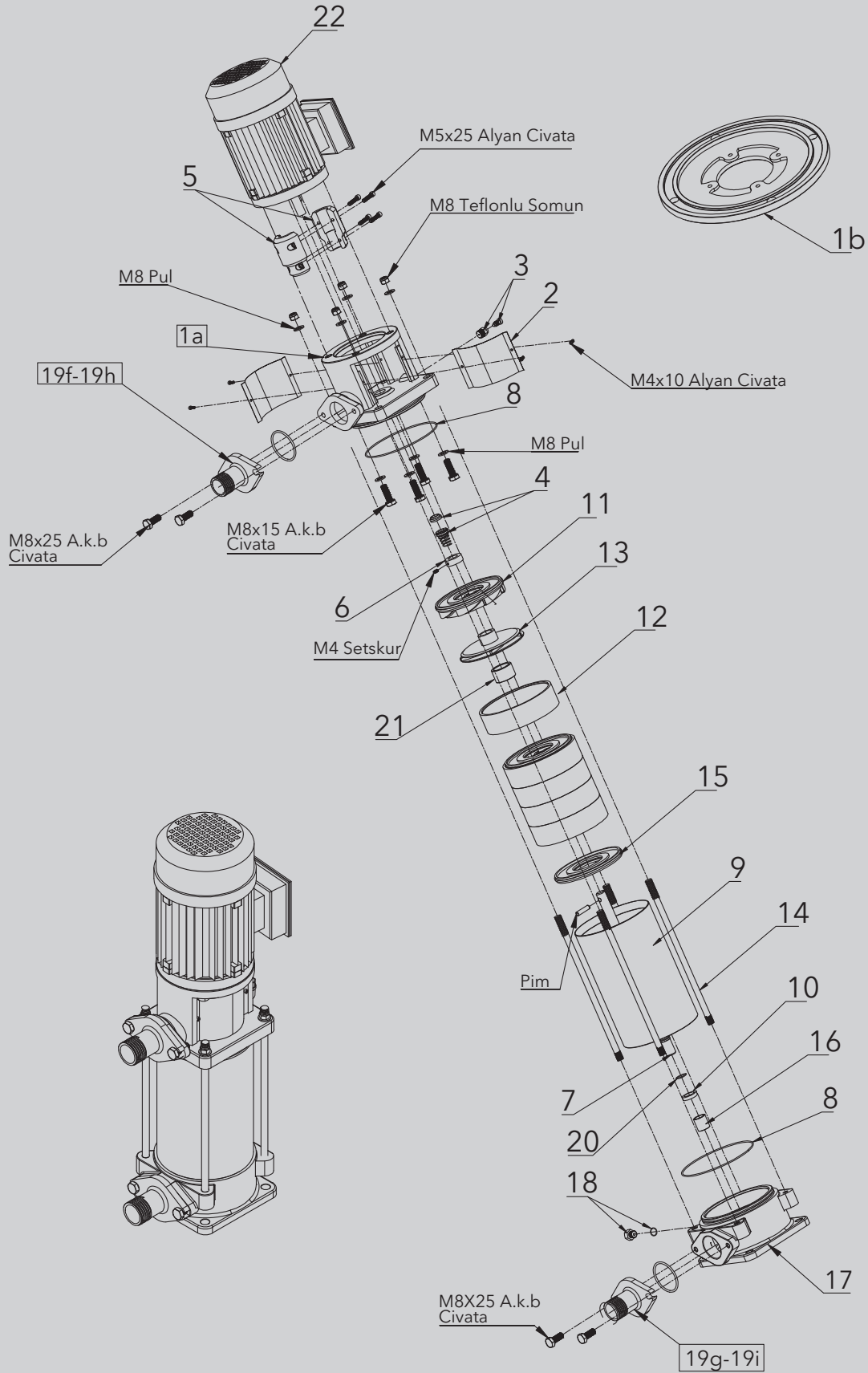
KO 10-15-25 SERİSİ

| NO | KOD | PARÇA ADI | LİSTE SATIŞ FİYATI |
|--------------|-----------------------|--|--------------------|
| 1 a | 025 1005 001 | UST KAFA KO 10-15 Ton 90'lık | 2.445,58 ₺ |
| 1 b | 025 1007 001 | UST KAFA KO 25 Ton 100'lük | 2.496,00 ₺ |
| 2 | 022 0000 017 | KAPLİN MUH.SACI KO (1 ADET) | 1,58 \$ |
| 3 | 019 0000 008 | POMPA TAHLİYE GÖVDESİ (PURJÖR) | 41,60 ₺ |
| 4 | 022 0000 003 | MEKANİK SALMASTRA Q 16 K. | 5,56 \$ |
| 5 | 025 1005 002 | KAPLİN KO Ø16-24/90G (2,2 - 3 KW) (TK) | 12,06 \$ |
| | 022 2503 005 | KAPLİN KO Q16-28/100G (4-5,5-7,5 KW)(TK) | 15,48 \$ |
| | 022 2506 005 | KAPLİN KO Q38/11 KW (TK) | 23,72 \$ |
| | 0250700013 | KAPLİN PİMİ Q6X26mm (KO 10-15-25) | 20,17 ₺ |
| 6 | 022 2500 010 | KİLİT BURCU K 10-15-25 | 51,05 ₺ |
| 7 | 025 1010 002 | MİL KO 10/10 L=500mm | 20,11 \$ |
| | 025 1504 002 | MİL KO 15/4 L=271mm | 21,27 \$ |
| | 025 1005 004 | MİL KO 10/5 L=309mm | 22,43 \$ |
| | 025 1506 002 | MİL KO 15/6 L=347mm | 23,59 \$ |
| | 025 1007 003 | MİL KO 10/7 L=385mm | 27,75 \$ |
| | 025 1508 002 | MİL KO 15/8 L=423mm | 25,94 \$ |
| | 025 1009 002 | MİL KO 10/9-15/9 L=462mm | 27,10 \$ |
| | 025 1012 002 | MİL KO 10/12 L=575mm | 29,42 \$ |
| | 025 1015 002 | MİL KO 10/15 - 15/15 L=689mm | 32,90 \$ |
| | 025 2503 002 | MİL KO 25/3 L=291mm | 26,06 \$ |
| | 025 2504 002 | MİL KO 25/4 L=348mm | 28,63 \$ |
| | 025 2506 002 | MİL KO 25/6 L=462mm | 33,77 \$ |
| | 025 2508 002 | MİL KO 25/8 L=576mm | 38,90 \$ |
| | 025 2510 002 | MİL KO 25/10 L=690mm | 44,04 \$ |
| 8 | 025 1000 002 | POMPA ORINGI KO 127*2,62 KO 10-15-25 | 0,39 \$ |
| 9 | 025 1005 005 | KILIF KO 15/4 L=175 | 24,41 \$ |
| | 025 1007 004 | KILIF KO 10-15/5 L=213 | 27,33 \$ |
| | 025 1009 003 | KILIF KO 15/6 - 25/4 L=251 | 31,13 \$ |
| | 025 1010 003 | KILIF KO 10/7 L=289 | 34,49 \$ |
| | 025 1012 003 | KILIF KO 15/8 L=327 | 37,85 \$ |
| | 025 1015 003 | KILIF KO 10-15/9 - 25/6 L=366 | 41,29 \$ |
| | 025 1504 003 | KILIF KO 10/10 L=404 | 44,65 \$ |
| | 025 1506 003 | KILIF 10-15/12 - 25/8 L=480 | 51,37 \$ |
| | 025 1508 003 | KILIF KO 10-15/5 - 25/10 L=594mm | 61,45 \$ |
| 025 2503 003 | KILIF KO 25/3 L=137 | 25,65 \$ | |
| 10 | 022 1000 007 | SEGMAN BURCU K 10-15 | 35,93 ₺ |
| | 022 2500 011 | SEGMAN BURCU K 25 | 30,88 ₺ |
| 11 | 022 1000 002 | DİFÜZÖR KO 10-15 | 4,14 € |
| | 022 2500 004 | DİFÜZÖR KO 25 | 3,80 € |
| 12 | 022 1000 003 | BİLEZİK KO 10-15 | 2,90 € |
| | 022 2500 006 | BİLEZİK KO 25 | 4,15 € |
| 13 | 022 1000 001 | FAN K 10 | 3,26 € |
| | 022 1000 004 | FAN K 10/S | 3,26 € |
| | 022 1500 001 | FAN K 15 | 3,16 € |
| | 022 2500 002 | FAN K 25 | 3,21 € |
| 14 | 025 1005 003 | SAPLAMA KO 10-15/5 L=266 | 1,99 \$ |
| | 025 1007 002 | SAPLAMA KO 10/7 L=342 | 2,28 \$ |
| | 025 1009 001 | SAPLAMA KO 10-15/9 - 25/6 L=418 | 2,57 \$ |
| | 025 1010 001 | SAPLAMA KO 10/10 L=456mm | 2,71 \$ |
| | 025 1012 001 | SAPLAMA KO 10-15/12 - 25/8 L=532 | 3,00 \$ |
| | 025 1015 001 | SAPLAMA KO 10/15 - 25/10 L=646mm | 3,43 \$ |
| | 025 1504 001 | SAPLAMA KO 15/4 L=228 | 1,85 \$ |
| | 025 1506 001 | SAPLAMA KO 15/6 - 25/4 L=304 | 2,13 \$ |
| 025 1508 004 | SAPLAMA 15/8 L=380mm | 2,42 \$ | |
| 025 2503 001 | SAPLAMA KO 25/3 L=247 | 1,92 \$ | |
| 15 | 022 1000 905 | DISK K 10-15 | 2,03 € |
| | 022 2500 907 | DISK K 25 | 1,74 € |
| 16 | 001 2000 017 | ARA YATAK BURCU SB-014 KO | 2,52 € |
| 17 | 025 1000 004 | ALT KAFA KO 90'lık KO 10/15 25 | 2.407,76 ₺ |
| 17a | 025 1000 001 | ALT KAFA KO 100'lük KO 25 | 2.798,55 ₺ |
| 18 | 016 1000 004 | HUNİ TAPASI(1/4 SARI KÖRTAPA) | 27,73 ₺ |
| 19a | 001 5950 002 | KO 90 POMPA FLANŞI 1 1/4" ve O-RİNG | 356,30 ₺ |
| 19b | 001 5950 003 | KO 100 POMPA FLANŞI 1 1/4" ve O-RİNG | 358,33 ₺ |
| 19c | 001 5950 004 | KO 100 POMPA FLANŞI 1 1/2" ve O-RİNG | 358,33 ₺ |
| 19d | 001 5951 004 | POMPA NİPELİ 1 1/4" | 92,72 ₺ |
| 19e | 001 5951 003 | POMPA NİPELİ 1 1/2" | 100,45 ₺ |
| 20 | 022 1000 006 | TEL SEGMAN K 10-15 | 12,61 ₺ |
| | 022 2500 019 | TEL SEGMAN K 25 | 14,18 ₺ |
| 21 | | MOTOR (1,5-2,2-3-4 KW) | FİYAT SORUNUZ |



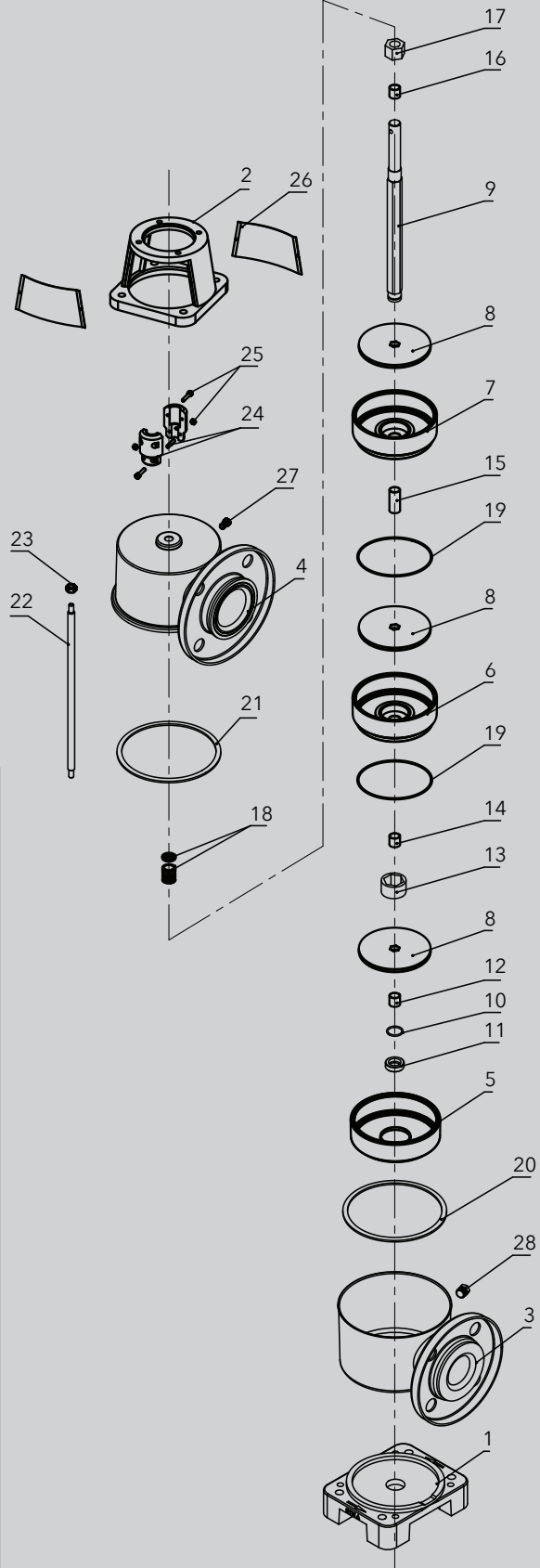
KO 35-45 SERİSİ

| NO | KOD | PARÇA ADI | LİSTE SATIŞ FİYATI |
|-----|--------------|--------------------------------------|--------------------|
| 1 a | 025 3500 007 | ÜST KAFA KO 35-45 YENİ | 3.116,66 ₺ |
| 1 b | 025 1000 003 | FLANS KO 132 (11 KW ARA BAG.) | 2.057,84 ₺ |
| | 025 4500 008 | KO 45 ÜST 160 KAFA ADAPTÖR | 2.209,12 ₺ |
| 2 | 022 0000 018 | KAPLİN MUH. SACI KO 35 (1 ADET) | 1,58 \$ |
| 3 | 019 0000 008 | HAVA TAHLİYE PURJÖR | 41,60 ₺ |
| 4 | 022 0000 003 | MEKANİK SALMASTRA Q 16 K. | 5,56 \$ |
| 5 | 022 2503 005 | KAPLİN KO Q28/100G 5,5-7,5 KW (TK) | 15,48 \$ |
| | 022 2506 005 | KAPLİN KO Q38/11 KW (TK) | 23,72 \$ |
| | 025 4500 012 | KAPLİN Q42 /160 G 15-18,5-22 KW | 25,84 \$ |
| | 0250700013 | KAPLİN PİMİ Q6X26mm (KO 10-15-25) | 20,17 ₺ |
| 6 | 025 4500 016 | KİLİT BURCU K 35-45 | 66,18 ₺ |
| 7 | 025 3503 002 | MİL KO 35/3 L=327 | 29,15 \$ |
| | 025 3504 002 | MİL KO 35/4 L=373 | 28,63 \$ |
| | 025 3505 002 | MİL KO 35/5 L=419 | 34,12 \$ |
| | 025 3506 002 | MİL KO 35/6 L=465 | 36,60 \$ |
| | 025 3507 002 | MİL KO 35/7 L=511 | 39,08 \$ |
| | 025 3508 002 | MİL KO 35/8 L=557 | 41,56 \$ |
| | 025 4503 002 | MİL KO 45/3 L=415 | 33,79 \$ |
| | 025 4504 002 | MİL KO 45/4 L=487 | 37,68 \$ |
| | 025 4505 002 | MİL KO 45/5 L=559 | 41,56 \$ |
| | 025 4506 002 | MİL KO 45/6 L=631 | 45,45 \$ |
| 8 | 022 2500 012 | KO 35-45 POMPA O-RİNGİ Q 152,07x2,62 | 0,52 \$ |
| 9 | 025 3503 001 | KİLİF KO 35/3 L=158 | 25,73 \$ |
| | 025 3504 001 | KİLİF KO 35/4 L=204 | 30,60 \$ |
| | 025 3505 001 | KİLİF KO 35/5 L=249 | 35,35 \$ |
| | 025 3506 001 | KİLİF KO 35/6 L=295 | 40,22 \$ |
| | 025 3507 001 | KİLİF KO 35/7 L=341 | 45,08 \$ |
| | 025 3508 001 | KİLİF KO 35/8 L=386 mm | 49,84 \$ |
| | 025 4503 001 | KİLİF KO 45/3 L=241 | 34,51 \$ |
| | 025 4504 001 | KİLİF KO 45/4 L=313 | 42,12 \$ |
| | 025 4505 001 | KİLİF KO 45/5 L=385 | 49,73 \$ |
| | 025 4506 001 | KİLİF KO 45/6 L=457 | 57,35 \$ |
| 10 | 025 4500 010 | SEGMAN BURCU K 35-45 | 59,25 ₺ |
| 11 | 025 3500 002 | DİFÜZÖR KO 35 | 3,37 € |
| | 025 4500 002 | DİFÜZÖR KO 45 | 8,32 € |
| 12 | 025 3500 004 | BİLEZİK KO 35 | 4,95 € |
| | 025 4500 004 | BİLEZİK KO 45 | 11,72 € |
| 13 | 025 3500 001 | FAN K 35 | 3,93 € |
| | 025 4500 001 | FAN K 45 | 4,15 € |
| 14 | 025 4500 005 | SAPLAMA KO 35/3 L=218 | 2,18 \$ |
| | 025 4500 005 | SAPLAMA KO 35/4L=264 | 2,43 \$ |
| | 025 4500 005 | SAPLAMA KO35/5 L=310 | 2,68 \$ |
| | 025 4500 005 | SAPLAMA KO 35/6 L=356 | 2,93 \$ |
| | 025 4500 005 | SAPLAMA KO 35/7 L=402 | 3,18 \$ |
| | 025 4500 005 | SAPLAMA KO 35/8 - 45/5 L=448 | 3,43 \$ |
| | 025 4500 005 | SAPLAMA KO 45/2 L=232 | 2,25 \$ |
| | 025 4500 005 | SAPLAMA KO 45/3 L=304 | 2,65 \$ |
| | 025 4500 005 | SAPLAMA KO 45/4 L=376 | 3,04 \$ |
| | 025 4500 005 | SAPLAMA KO 45/6 L=520 | 3,82 \$ |
| 15 | 025 3500 003 | DISK K 35 | 2,67 € |
| | 025 4500 003 | DISK K 45 | 9,20 € |
| 16 | 001 2000 017 | ARA YATAK BURCU SB-014 KO | 2,52 € |
| 17 | 025 3500 006 | ALT KAFA KO 35-45 YENİ | 3.179,69 ₺ |
| 18 | 016 1000 004 | HUNİ TAPASI(1/4 SARI KÖRTAPA) | 27,73 ₺ |
| | 022 0000 015 | HUNİ TAPASI 3/8 (KÖR TAPA) | 37,82 ₺ |
| 19f | 001 5930 004 | KO 35 - KUYRUKLU FLANŞ BASINÇ (2 ") | 568,01 ₺ |
| 19g | 001 5930 005 | KO 35 - KUYRUKLU FLANŞ EMİŞ(2 1/2") | 568,01 ₺ |
| 19h | 001 5950 006 | KO 45 KUYRUKLU FLANŞ BASINÇ (2 1/2") | 622,86 ₺ |
| 19i | 001 5950 007 | KO 45 KUYRUKLU FLANŞ EMİŞ (3") | 712,95 ₺ |
| 20 | 025 4500 009 | TEL SEGMAN KO 35-45 | 16,55 ₺ |
| 21 | 025 4500 011 | KO 45 TEFLON BURÇ | 85,09 ₺ |
| 22 | | MOTOR (5,5-7,5-11-15-22 KW) | FİYAT SORUNUZ |



KO-ST 5 SERİSİ

| NO | KOD | PARÇA ADI | LİSTE SATIŞ FİYATI |
|------------|----------------------------------|---|--------------------|
| 1 | 0241000001 | KO-ST 5 ALT TABLA | 1.155,12 ₺ |
| 2 | 0241000003 | KO-ST 5 MOTOR BRAKETİ (80 LİK) | 1.665,17 ₺ |
| | 0241000004 | KO-ST 5 MOTOR BRAKETİ (90 LİK) | 1.978,55 ₺ |
| 3 | 0240500001 | KO-ST 5 ÜST GÖVDE PAS. | 46,99 \$ |
| 4 | 0240500002 | KO-ST 5 ALT GÖVDE PAS. | 46,99 \$ |
| 5 | C700400004 | CDLF 4 GİRİŞ DİFÜZÖRÜ | 6,33 \$ |
| 6 | C700400002 | CDLF 4 DİFÜZÖR | 10,18 \$ |
| 7 | C700400001 | CDLF 4 FAN | 4,94 \$ |
| 8 | 0240502001 | KO-ST 5/2 MİL L=177mm | 13,27 \$ |
| | 0240503001 | KO-ST 5/3 MİL L=204mm | 13,73 \$ |
| | 0240504001 | KO-ST 5/4 MİL L=231mm | 14,19 \$ |
| | 0240505001 | KO-ST 5/5 MİL L=258mm | 14,64 \$ |
| | 0240506001 | KO-ST 5/6 MİL L=285mm | 13,87 \$ |
| | 0240507001 | KO-ST 5/7 MİL L=312mm | 14,21 \$ |
| | 0240508001 | KO-ST 5/8 MİL L=339mm | 14,55 \$ |
| | 0240509001 | KO-ST 5/9 MİL L=366mm | 14,89 \$ |
| | 0240510001 | KO-ST 5/10 MİL L=393mm | 15,23 \$ |
| | 0240511001 | KO-ST 5/11 MİL L=420mm | 15,57 \$ |
| | 0240512001 | KO-ST 5/12 MİL L=447mm | 15,91 \$ |
| | 0240513001 | KO-ST 5/13 MİL L=474mm | 16,25 \$ |
| 0240514001 | KO-ST 5/14 MİL L=501mm | 16,59 \$ | |
| 9 | 0190000001 | MEKANİK SALMASTRA Q 12 K. | 3,11 \$ |
| 10 | 0240500006 | KO-ST/KI 5 PAS.KİLİT SOMUNU | 2,99 \$ |
| 11 | 0240500005 | KO-ST/KI 5 ÜST BURÇ L=24mm | 1,36 \$ |
| 12 | 0240500004 | KO-ST/KI 5 ARA BURÇ L=26mm | 1,26 \$ |
| 13 | 0240500003 | KO-ST/KI 5 ALT BURÇ L=13,5mm | 1,10 \$ |
| 14 | 0240500010 | KO-ST/KI 5 SEGMAN BURCU PAS. | 1,26 \$ |
| 15 | 0240500009 | KO-ST 5 CONTA Ø112xØ103x1 mm | 6,30 ₺ |
| 16 | 0240500011 | KO-ST/KI 5 BURÇ YATAĞI | 9,77 \$ |
| 17 | 0012000019 | ARA YATAK BURCU B-C SB-012 | 1,26 € |
| 19 | 0240500007 | Ø98,05x1,78 mm O'RİNG (KO-ST 5) | 11,22 ₺ |
| 20 | 0250700005 | KO 4-7 KAPLIN 12X19 (0,75-1,1-1,5 KW) | 11,91 \$ |
| | 0250700006 | KO 4-7 KAPLIN 12-24 (2,2 - 3 KW) | 12,53 \$ |
| | 0250700012 | KAPLIN PİMİ Q4X20 MM (KO 4-7) | 15,41 ₺ |
| 21 | ZFAB 00057 | KAPLIN CIVATA GRUBU | 3,15 \$ |
| 22 | 0240500013 | KO-ST 5 KAPLIN MUH.SACI (80 LİK) (1 ADET) | 1,64 \$ |
| | 0240500014 | KO-ST 5 KAPLIN MUH.SACI (90 LİK) (1 ADET) | 1,64 \$ |
| 23 | 0240502002 | KO-ST 5/2 SAPLAMA M14 L=209,5mm | 7,59 \$ |
| | 0240503002 | KO-ST 5/3 SAPLAMA M14 L=236,5mm | 7,75 \$ |
| | 0240504002 | KO-ST 5/4 SAPLAMA M14 L=263,5mm | 7,91 \$ |
| | 0240505002 | KO-ST 5/5 SAPLAMA M14 L=290,5mm | 8,07 \$ |
| | 0240506002 | KO-ST 5/6 SAPLAMA M14 L=317,5mm | 8,23 \$ |
| | 0240507002 | KO-ST 5/7 SAPLAMA M14 L=344,5mm | 8,39 \$ |
| | 0240508002 | KO-ST 5/8 SAPLAMA M14 L=371,5mm | 8,55 \$ |
| | 0240509002 | KO-ST 5/9 SAPLAMA M14 L=398,5mm | 8,72 \$ |
| | 0240510002 | KO-ST 5/10 SAPLAMA M14 L=425,5mm | 8,88 \$ |
| | 0240511002 | KO-ST 5/11 SAPLAMA M14 L=452,5mm | 9,04 \$ |
| | 0240512002 | KO-ST 5/12 SAPLAMA M14 L=479,5mm | 9,20 \$ |
| | 0240513002 | KO-ST 5/13 SAPLAMA M14 L=506,5mm | 10,95 \$ |
| 0240514002 | KO-ST 5/14 SAPLAMA M14 L=533,5mm | 11,11 \$ | |
| 24 | ZFAB 00059 | SARF-ÇELİK RONDELA/PUL | 15,76 ₺ |
| 25 | ZFAB 00058 | SARF-ÇELİK SOMUN | 15,76 ₺ |
| 26 | 0251000003 | ADAPTÖR FLANŞ KO 132 | 2.057,84 ₺ |



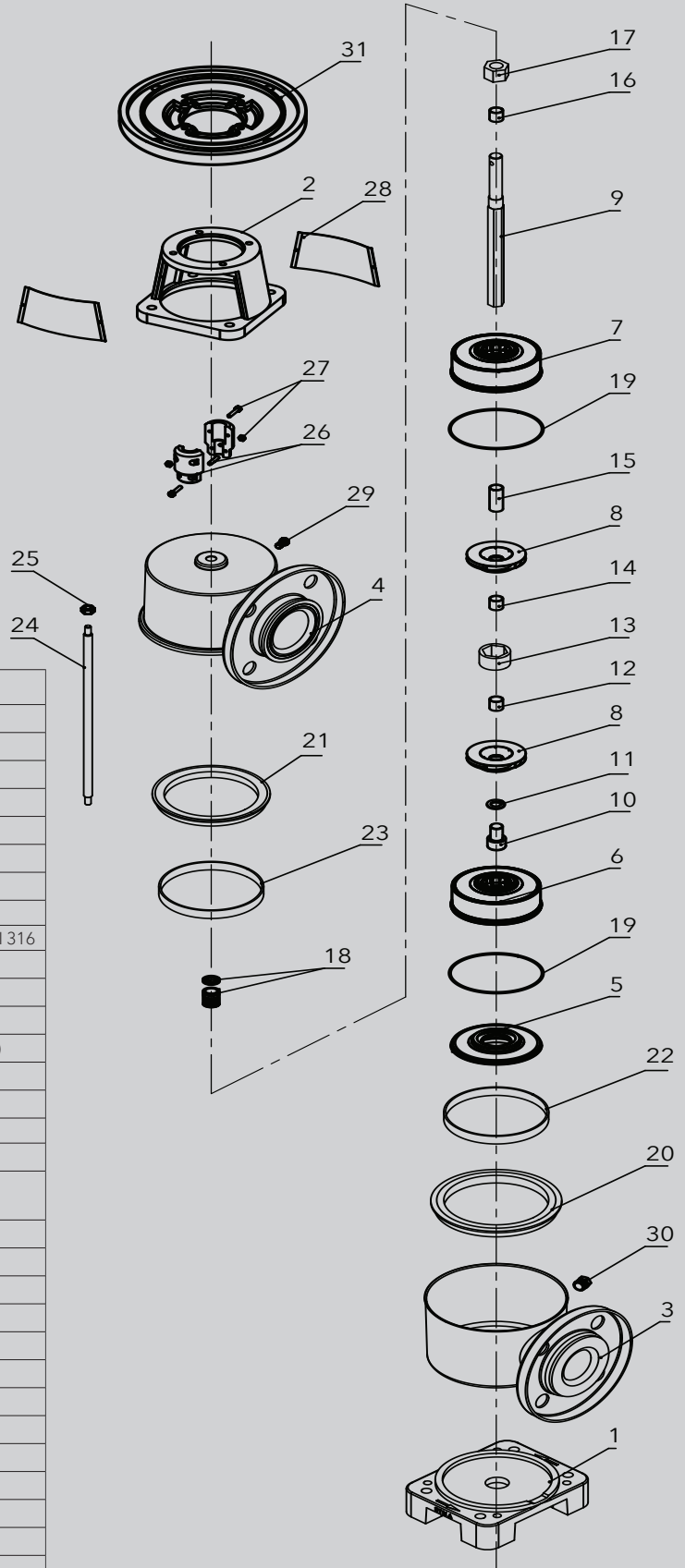
| NO | PARÇA ADI | MALZEME |
|----|---------------------|-------------------------------|
| 1 | ALT TABLA | PİK DÖKÜM |
| 2 | MOTOR BRAKETİ | PİK DÖKÜM |
| 3 | ALT GÖVDE (GİRİŞ) | PASLANMAZ AISI 304 |
| 4 | ÜST GÖVDE (ÇIKIŞ) | PASLANMAZ AISI 304 |
| 5 | GİRİŞ DİFÜZÖR | PASLANMAZ AISI 304 |
| 6 | YATAKLI DİFÜZÖR | PASLANMAZ AISI 304 |
| 7 | DİFÜZÖR | PASLANMAZ AISI 304 |
| 8 | ÇARK | PASLANMAZ AISI 304 |
| 9 | ŞAFT | PASLANMAZ AISI 304 / AISI 316 |
| 10 | TEL SEGMAN | PASLANMAZ AISI 304 |
| 11 | SEGMAN BURCU | PASLANMAZ AISI 304 |
| 12 | KARBÜR ALT BURÇ | PASLANMAZ AISI 304 |
| 13 | ŞAFT BURCU | TUNGSTEN KARBÜR (YG6) |
| 14 | KARBÜR ÜST BURÇ | PASLANMAZ AISI 304 |
| 15 | ARA BURÇ | PASLANMAZ AISI 304 |
| 16 | ÜST BURÇ | PASLANMAZ AISI 304 |
| 17 | ÜST KİLİT SOMUNU | PASLANMAZ AISI 304 |
| 18 | MAKANİK SALMASTRA | (G60/M106K/CE/EPDM/ SUS304) |
| 19 | DİFÜZÖR ORİNG | EPDM |
| 20 | ALT GÖVDE CONTASI | EPDM |
| 21 | ÜST GÖVDE CONTASI | EPDM |
| 22 | SAPLAMA | GALVANİZ KAPLAMA |
| 23 | SOMUN | GALVANİZ KAPLAMA |
| 24 | KAPLIN PİM | ALÜMİNYUM |
| 25 | KAPLIN CİVATA GRUBU | GALVANİZ KAPLAMA |
| 26 | MUHAFAZA SACI | PASLANMAZ AISI 304 |
| 27 | HAVA PÜRJÖRÜ | GALVANİZ KAPLAMA |
| 28 | BOŞALTMA TAPASI | PASLANMAZ AISI 304 |

KO-ST 5-8-12-16-20 SERİSİ

| NO | KOD | PARÇA ADI | LİSTE SATIŞ FİYATI |
|----|------------|--|--------------------|
| | 0241000002 | KO-ST 8-12-16 ALT TABLA | 2.264,46 ₺ |
| | 0241000006 | KO-ST 8-12-16 MOTOR BRAKETİ (90 LİK) | 2.135,62 ₺ |
| | 0241000007 | KO-ST 8-12-16 MOTOR BRAKETİ (100 LÜK) | 2.260,42 ₺ |
| | 0240800002 | KO-ST 8-12-16 ÜST GÖVDE PAS. | 66,39 \$ |
| | 0240800003 | KO-ST 8-12-16 ALT GÖVDE PAS. | 66,39 \$ |
| | C700800004 | CDLF 8-12 GİRİŞ DİFÜZÖRÜ | 6,22 \$ |
| | C701600004 | CDLF 16-20 GİRİŞ DİFÜZÖRÜ | 6,70 \$ |
| | C700800002 | CDLF 8-12 DİFÜZÖR | 18,42 \$ |
| | C701600002 | CDLF 16 DİFÜZÖR | 20,44 \$ |
| | C702000002 | CDLF 20 DİFÜZÖR | 23,92 \$ |
| | C700800001 | CDLF 8 FAN | 5,47 \$ |
| | C701200001 | CDLF 12 FAN | 6,51 \$ |
| | C701600001 | CDLF 16 FAN | 10,07 \$ |
| | C702000001 | CDLF 20 FAN | 11,87 \$ |
| | 0240802001 | KO-ST 8-12/2 MİL L=219mm | 18,38 \$ |
| | 0240803001 | KO-ST 8-12/3 MİL L=249mm | 19,29 \$ |
| | 0240804001 | KO-ST 8-12/4 MİL L=279mm | 20,21 \$ |
| | 0240805001 | KO-ST 8-12/5 MİL L=309mm | 21,12 \$ |
| | 0240806001 | KO-ST 8-12/6 MİL L=339mm | 22,04 \$ |
| | 0240807001 | KO-ST 8-12/7 MİL L=369mm | 22,96 \$ |
| | 0240808001 | KO-ST 8-12/8 MİL L=399mm | 23,87 \$ |
| | 0240809001 | KO-ST 8-12/9 MİL L=429mm | 24,79 \$ |
| | 0240810001 | KO-ST 8-12/10 MİL L=459mm | 25,70 \$ |
| | 0240811001 | KO-ST 8-12/11 MİL L=489mm | 26,56 \$ |
| | 0240812001 | KO-ST 8-12/12 MİL L=519mm | 27,47 \$ |
| | 0240813001 | KO-ST 8/13 MİL L=549mm | 28,39 \$ |
| | 0240814001 | KO-ST 8/14 MİL L=579mm | 29,31 \$ |
| | 0240815001 | KO-ST 8-12/15 MİL L=609mm | 30,22 \$ |
| | 0240816001 | KO-ST 8/16 MİL L=639mm | 31,14 \$ |
| | 0240817001 | KO-ST 8/17 MİL L=669mm | 32,05 \$ |
| | 0240818001 | KO-ST 8/18 MİL L=699mm | 32,97 \$ |
| | 0240819001 | KO-ST 8/19 MİL L=729mm | 33,89 \$ |
| | 0240820001 | KO-ST 8/20 MİL L=759mm | 34,80 \$ |
| | 0241602001 | KO-ST 16-20/2 MİL L=231,5mm | 18,61 \$ |
| | 0241603001 | KO-ST 16-20/3 MİL L=276,5mm | 19,98 \$ |
| | 0241604001 | KO-ST 16-20/4 MİL L=321,5mm | 21,35 \$ |
| | 0241605001 | KO-ST 16-20/5 MİL L=366,5mm | 22,73 \$ |
| | 0241606001 | KO-ST 16-20/6 MİL L=411,5mm | 24,10 \$ |
| | 0241607001 | KO-ST 16-20/7 MİL L=456,5mm | 25,47 \$ |
| | 0241608001 | KO-ST 16-20/8 MİL L=501,5mm | 26,85 \$ |
| | 0241609001 | KO-ST 16-20/9 MİL L=546,5mm | 28,22 \$ |
| | 0241610001 | KO-ST 16-20/10 MİL L=591,5mm | 29,60 \$ |
| | 0241611001 | KO-ST 16-20/11 MİL L=636,5mm | 30,97 \$ |
| | 0241612001 | KO-ST 16-20/12 MİL L=681,5mm | 32,34 \$ |
| | 0241613001 | KO-ST 16-20/13 MİL L=726,5mm | 33,72 \$ |
| | 0241614001 | KO-ST 16-20/14 MİL L=771,5mm | 35,09 \$ |
| | 0241615001 | KO-ST 16-20/15 MİL L=816,5mm | 36,47 \$ |
| | 0241616001 | KO-ST 16-20/16 MİL L=861,5mm | 37,84 \$ |
| | 0241617001 | KO-ST 16-20/17 MİL L=906,5mm | 39,21 \$ |
| | 0220000003 | MEKANİK SALMASTRA Q 16 K. | 5,56 \$ |
| | 0240800007 | KI/KO-ST 8-12-16-20 PAS.KİLİT SOMUNU | 3,21 \$ |
| | 0861600002 | KI 16-20 KİLİT BURCU PAS. L=12mm | 3,15 \$ |
| | 0240800004 | KO-ST 8-12 ÜST BURÇ L=25,5mm | 1,01 \$ |
| | 0241600004 | KO-ST 16-20 ÜST BURÇ L=18mm*ø22*1 | 0,63 \$ |
| | 0240800005 | KO-ST/KI 8-12 ARA BURÇ L=29mm *ø22*1 | 1,58 \$ |
| | 0241600003 | KO-ST/KI 16-20 ALT/ARA BURÇ L=44mm*ø22*1 | 1,73 \$ |
| | 0240800011 | KO-ST/KI (8-12-16) SEGMAN BURCU PAS. | 1,73 \$ |

| NO | KOD | PARÇA ADI | LİSTE SATIŞ FİYATI |
|----|------------|---|--------------------|
| | 0240800009 | KO-ST 8-12-16 CONTA Ø142,5xØ132,5x2 mm | 25,21 ₺ |
| | 0240800008 | KO-ST/KI (8-12-16) BURÇ YATAĞI PAS. | 15,18 \$ |
| | 0012000017 | ARA YATAK BURCU SB-014 KO | 2,52 € |
| 18 | 0240800010 | KO-ST 8-12-16 CONTA Ø144xØ134x2mm | 25,21 ₺ |
| | 0240800001 | Ø144x1,78 NBR70 O'RING (KO-ST 8-12-16-20) | 22,06 ₺ |
| | 0251005002 | KAPLİN KO Ø16-24/90G (2,2 - 3 KW) | 12,06 \$ |
| | 0222503005 | KAPLİN KO Q16-28/100G (4-5,5-7,5 KW) | 15,48 \$ |
| | 0222506005 | KAPLİN KO Q38/11 KW | 23,72 \$ |
| | 0250700013 | KAPLİN PİMİ Q6X26mm (KO 10-15-25) | 20,17 ₺ |
| 21 | ZFAB 00057 | KAPLİN CIVATA GRUBU | 3,15 \$ |
| | 0240800014 | KO-ST (8-12-16) KAPLİN MUH.SACI (90 LİK) (1 ADET) | 1,64 \$ |
| | 0240800015 | KO-ST (8-12-16) KAPLİN MUH.SACI (100 LÜK)(1 ADET) | 1,64 \$ |
| | 0240802002 | KO-ST 8-12/2 SAPLAMA M18 L=258mm | 8,89 \$ |
| | 0240803002 | KO-ST 8-12/3 SAPLAMA M18 L=288mm | 9,19 \$ |
| | 0240804002 | KO-ST 8-12/4 SAPLAMA M18 L=318mm | 9,49 \$ |
| | 0240805002 | KO-ST 8-12/5 SAPLAMA M18 L=348mm | 9,78 \$ |
| | 0240806002 | KO-ST 8-12/6 SAPLAMA M18 L=378mm | 10,08 \$ |
| | 0240807002 | KO-ST 8-12/7 SAPLAMA M18 L=408mm | 10,37 \$ |
| | 0240808002 | KO-ST 8-12/8 SAPLAMA M18 L=438mm | 10,67 \$ |
| | 0240809002 | KO-ST 8-12/9 SAPLAMA M18 L=468mm | 10,97 \$ |
| | 0240810002 | KO-ST 8-12/10 SAPLAMA M18 L=498mm | 11,26 \$ |
| | 0240811002 | KO-ST 8-12/11 SAPLAMA M18 L=528mm | 13,15 \$ |
| | 0240812002 | KO-ST 8-12/12 SAPLAMA M18 L=558mm | 13,45 \$ |
| | 0240813002 | KO-ST 8/13 SAPLAMA M18 L=588mm | 13,74 \$ |
| | 0240814002 | KO-ST 8/14 SAPLAMA M18 L=618mm | 14,04 \$ |
| | 0240815002 | KO-ST 8/15 SAPLAMA M18 L=648mm | 14,34 \$ |
| | 0240816002 | KO-ST 8/16 SAPLAMA M18 L=678mm | 14,63 \$ |
| | 0240817002 | KO-ST 8/17 SAPLAMA M18 L=708mm | 14,93 \$ |
| | 0240818002 | KO-ST 8/18 SAPLAMA M18 L=738mm | 15,23 \$ |
| | 0240819002 | KO-ST 8/19 SAPLAMA M18 L=768mm | 15,52 \$ |
| | 0240820002 | KO-ST 8/20 SAPLAMA M18 L=798mm | 15,82 \$ |
| | 0241602002 | KO-ST 16-20/2 SAPLAMA M18 L=275mm | 9,06 \$ |
| | 0241603002 | KO-ST 16-20/3 SAPLAMA M18 L=320mm | 9,51 \$ |
| | 0241604002 | KO-ST 16-20/4 SAPLAMA M18 L=365mm | 9,95 \$ |
| | 0241605002 | KO-ST 16-20/5 SAPLAMA M18 L=410mm | 10,39 \$ |
| | 0241606002 | KO-ST 16-20/6 SAPLAMA M18 L=455mm | 10,84 \$ |
| | 0241607002 | KO-ST 16-20/7 SAPLAMA M18 L=500mm | 12,87 \$ |
| | 0241608002 | KO-ST 16-20/8 SAPLAMA M18 L=545mm | 13,32 \$ |
| | 0241609002 | KO-ST 16-20/9 SAPLAMA M18 L=590mm | 13,76 \$ |
| | 0241610002 | KO-ST 16-20/10 SAPLAMA M18 L=633mm | 14,19 \$ |
| | 0241611002 | KO-ST 16-20/11 SAPLAMA M18 L=678mm | 14,63 \$ |
| | 0241612002 | KO-ST 16-20/12 SAPLAMA M18 L=723mm | 15,08 \$ |
| | 0241613002 | KO-ST 16-20/13 SAPLAMA M18 L=768mm | 15,52 \$ |
| | 0241614002 | KO-ST 16-20/14 SAPLAMA M18 L=813mm | 15,97 \$ |
| | 0241615002 | KO-ST 16-20/15 SAPLAMA M18 L=858mm | 16,41 \$ |
| | 0241616002 | KO-ST 16-20/16 SAPLAMA M18 L=903mm | 16,85 \$ |
| | 0241617002 | KO-ST 16-20/17 SAPLAMA M18 L=948mm | 17,30 \$ |
| | 0241618002 | KO-ST 16-20/18 SAPLAMA M18 L=993mm | 17,74 \$ |
| 24 | ZFAB 00059 | SARF-ÇELİK RONDELA/PUL | 15,76 ₺ |
| 25 | ZFAB 00058 | SARF-ÇELİK SOMUN | 15,76 ₺ |
| 26 | 0251000003 | ADAPTÖR FLANŞ KO 132 | 2.057,84 ₺ |
| 27 | 0240800026 | KO-ST 8-12-16-20 ÜST CONTA | 266,67 ₺ |
| 28 | 0240800025 | KO-ST 8-12-16-20 ALT CONTA | 266,67 ₺ |
| 29 | 0240800027 | KO-ST 8-12-16-20 CONTA İÇ BİLEZİK | 121,21 ₺ |
| 30 | C700800006 | KI/KO-ST 8-12 YATAKLI DİFÜZÖR | 26,67 \$ |
| 31 | 0240800022 | ALTİKÖŞE KARBÜR YATAKLAMA BURCU (KI / KO-ST) | 19,39 \$ |

KO-ST 8-12-16-20 SERİSİ PATLATILMIŞ GÖRÜNÜM

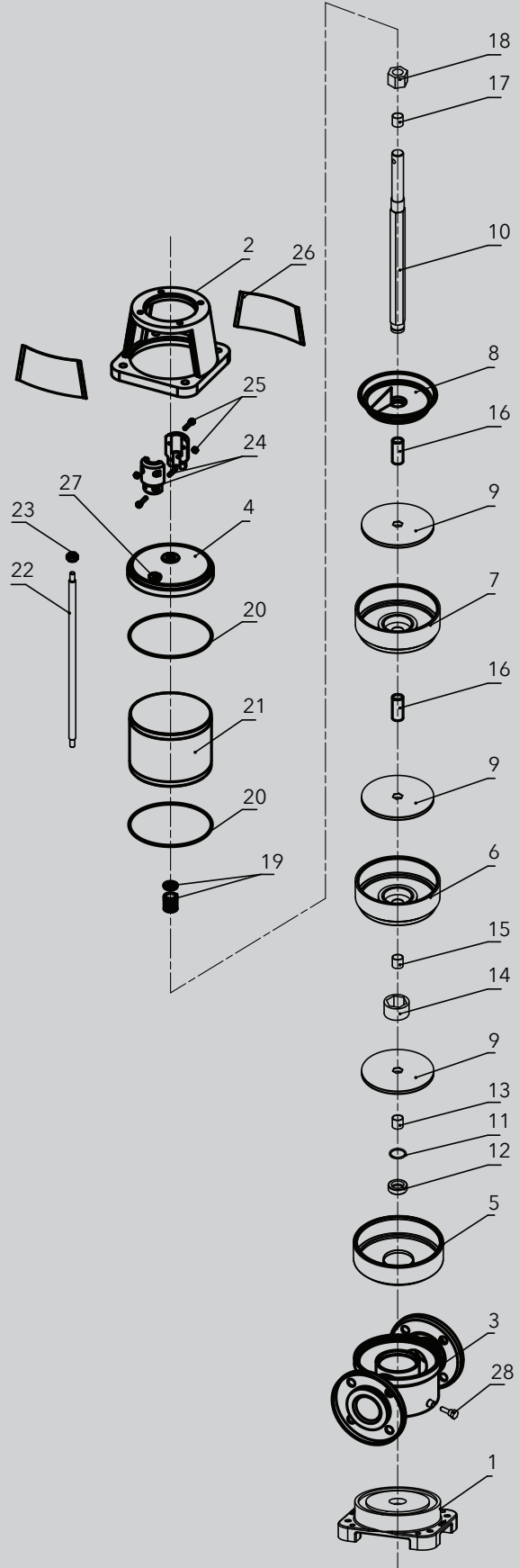


| NO | PARÇA ADI | MALZEME |
|----|----------------------|-------------------------------|
| 1 | ALT TABLA | PIK DÖKÜM |
| 2 | MOTOR BRAKETİ | PIK DÖKÜM |
| 3 | ALT GÖVDE (GİRİŞ) | PASLANMAZ AISI 304 |
| 4 | ÜST GÖVDE (ÇIKIŞ) | PASLANMAZ AISI 304 |
| 5 | GİRİŞ DİFÜZÖR | PASLANMAZ AISI 304 |
| 6 | YATAKLI DİFÜZÖR | PASLANMAZ AISI 304 |
| 7 | DİFÜZÖR | PASLANMAZ AISI 304 |
| 8 | ÇARK | PASLANMAZ AISI 304 |
| 9 | ŞAFT | PASLANMAZ AISI 304 / AISI 316 |
| 10 | İNBUS CİVATA | PASLANMAZ AISI 304 |
| 11 | PUL | PASLANMAZ AISI 304 |
| 12 | KARBÜR ALT BURÇ | PASLANMAZ AISI 304 |
| 13 | ŞAFT BURCU | TUNGSTEN KARBÜR (YG6) |
| 14 | KARBÜR ÜST BURÇ | PASLANMAZ AISI 304 |
| 15 | ARA BURÇ | PASLANMAZ AISI 304 |
| 16 | ÜST BURÇ | PASLANMAZ AISI 304 |
| 17 | ÜST KİLİT SOMUNU | PASLANMAZ AISI 304 |
| 18 | MAKANİK SALMASTRA | (G60/M106K/CE/EPDM/SUS304) |
| 19 | DİFÜZÖR ORİNG | EPDM |
| 20 | ALT GÖVDE CONTASI | EPDM |
| 21 | ÜST GÖVDE CONTASI | EPDM |
| 22 | ALT GÖVDE İÇ BİLEZİK | PASLANMAZ AISI 304 |
| 23 | ÜST GÖVDE İÇ BİLEZİK | PASLANMAZ AISI 304 |
| 24 | SAPLAMA | GALVANİZ KAPLAMA |
| 25 | SOMUN | GALVANİZ KAPLAMA |
| 26 | KAPLIN PİM | ALÜMİNYUM |
| 27 | KAPLIN CİVATA GRUBU | GALVANİZ KAPLAMA |
| 28 | MUHAFAZA SACI | PASLANMAZ AISI 304 |
| 29 | HAVA PÜRJÖRÜ | GALVANİZ KAPLAMA |
| 30 | BOŞALTMA TAPASI | PASLANMAZ AISI 304 |
| 31 | **ADAPTÖR | PIK DÖKÜM |

**132 ve 160 Tipi Motor Gövdesi için

| NO | KOD | PARÇA ADI | LİSTE SATIŞ FİYATI |
|------------|-----------------------------|--|--------------------|
| 1 | 0861000001 | KI 5 ALT TABLA | 1.986,11 ₺ |
| 2 | 0861000003 | KI 5 MOTOR BRAKETİ (80 LİK) | 1.899,88 ₺ |
| | 0861000004 | KI 5 MOTOR BRAKETİ (90 LİK) | 1.996,95 ₺ |
| 3 | 0860500001 | KI 5 ÜST GÖVDE PAS. | 16,77 \$ |
| 4 | 0860500002 | KI 5 ALT GÖVDE PAS. | 105,72 \$ |
| 5 | C700400004 | CDLF 4 GİRİŞ DİFÜZÖRÜ | 6,33 \$ |
| 6 | C700400002 | CDLF 4 DİFÜZÖR | 10,18 \$ |
| 7 | C700400001 | CDLF 4 FAN | 4,94 \$ |
| 8 | C700400003 | CDLF 4 ÇIKIŞ DİFÜZÖRÜ | 6,33 \$ |
| 9 | 0860504001 | KI 5/4 ŞAFT L=211,5mm | 13,97 \$ |
| | 0860505001 | KI 5/5 ŞAFT L=238,5mm | 14,31 \$ |
| | 0860506001 | KI 5/6 ŞAFT L=265,5mm | 14,65 \$ |
| | 0860507001 | KI 5/7 ŞAFT L=292,5mm | 14,99 \$ |
| | 0860508001 | KI 5/8 ŞAFT L=319,5mm | 15,33 \$ |
| | 0860509001 | KI 5/9 ŞAFT L=346,5mm | 15,67 \$ |
| | 0860510001 | KI 5/10 ŞAFT L=373,5mm | 16,01 \$ |
| | 0860511001 | KI 5/11 ŞAFT L=400,5mm | 16,35 \$ |
| | 0860512001 | KI 5/12 ŞAFT L=427,5mm | 16,69 \$ |
| 0860513001 | KI 5/13 ŞAFT L=454,5mm | 17,03 \$ | |
| 0860514001 | KI 5/14 ŞAFT L=481,5mm | 17,37 \$ | |
| 10 | 0190000001 | MEKANİK SALMASTRA Q 12 K. | 3,11 \$ |
| 11 | 0240500006 | KO-ST/KI 5 PAS.KİLİT SOMUNU | 2,99 \$ |
| 12 | 0240500005 | KO-ST/KI 5 ÜST BURÇ L=24mm | 1,36 \$ |
| 13 | 0240500004 | KO-ST/KI 5 ARA BURÇ L=26mm | 1,26 \$ |
| 14 | 0240500003 | KO-ST/KI 5 ALT BURÇ L=13,5mm | 1,10 \$ |
| 15 | 0240500010 | KO-ST/KI 5 SEGMAN BURCU PAS. | 1,26 \$ |
| 17 | 0240500011 | KO-ST/KI 5 BURÇ YATAĞI | 9,77 \$ |
| 18 | 0012000019 | ARA YATAK BURCU B-C SB-012 | 1,26 € |
| 19 | 0860500008 | NBR O'RING Ø132.00x3.00 mm (KI5 KILIF-ÜST) | 24,22 ₺ |
| | 0860500009 | NBR O'RING Ø122.00x4.00 mm (KI5 KILIF-ALT) | 26,49 ₺ |
| 20 | 0860504003 | KI 5/4 KILIF L=112mm | 18,66 \$ |
| | 0860505003 | KI 5/5 KILIF L=139mm | 21,05 \$ |
| | 0860506003 | KI 5/6 KILIF L=166mm | 23,44 \$ |
| | 0860507003 | KI 5/7 KILIF L=193mm | 25,82 \$ |
| | 0860508003 | KI 5/8 KILIF L=220mm | 28,21 \$ |
| | 0860509003 | KI 5/9 KILIF L=247mm | 30,60 \$ |
| | 0860510003 | KI 5/10 KILIF L=274mm | 32,99 \$ |
| | 0860511003 | KI 5/11 KILIF L=301mm | 35,37 \$ |
| | 0860512003 | KI 5/12 KILIF L=328mm | 37,76 \$ |
| 0860513003 | KI 5/13 KILIF L=355mm | 40,15 \$ | |
| 0860514003 | KI 5/14 KILIF L=382mm | 42,53 \$ | |
| 21 | 0250700005 | KO 4-7 KAPLIN 12X19 (0,75-1,1-1,5 KW) | 11,91 \$ |
| | 0250700006 | KO 4-7 KAPLIN 12-24 (2,2 - 3 KW) | 12,53 \$ |
| | 0250700012 | KAPLIN PİMİ Q4X20 MM (KO 4-7) | 15,41 ₺ |
| 22 | ZFAB 00057 | KAPLIN CİVATA GRUBU | 3,15 \$ |
| 23 | 0860500004 | KI 5 KAPLIN MUH.SACI (80'lik) (1 ADET) | 1,64 \$ |
| | 0860500005 | KI 5 KAPLIN MUH.SACI (90'lik) (1 ADET) | 1,64 \$ |
| 24 | 0860504002 | KI 5/4 SAPLAMA M14 L=249mm | 7,85 \$ |
| | 0860505002 | KI 5/5 SAPLAMA M14 L=276mm | 8,01 \$ |
| | 0860506002 | KI 5/6 SAPLAMA M14 L=303mm | 8,17 \$ |
| | 0860507002 | KI 5/7 SAPLAMA M14 L=330mm | 8,34 \$ |
| | 0860508002 | KI 5/8 SAPLAMA M14 L=357mm | 8,50 \$ |
| | 0860509002 | KI 5/9 SAPLAMA M14 L=384mm | 8,66 \$ |
| | 0860510002 | KI 5/10 SAPLAMA M14 L=411mm | 8,82 \$ |
| | 0860511002 | KI 5/11 SAPLAMA M14 L=438mm | 8,98 \$ |
| | 0860512002 | KI 5/12 SAPLAMA M14 L=465mm | 9,14 \$ |
| 0860513002 | KI 5/13 SAPLAMA M14 L=492mm | 9,30 \$ | |
| 0860514002 | KI 5/14 SAPLAMA M14 L=519mm | 11,06 \$ | |
| 25 | ZFAB 00059 | SARF-ÇELİK RONDELA/PUL | 15,76 ₺ |
| 26 | ZFAB 00058 | SARF-ÇELİK SOMUN | 15,76 ₺ |

KI 5 SERİSİ PATLATILMIŞ GÖRÜNÜM



| NO | PARÇA ADI | MALZEME |
|----|-------------------------|-------------------------------|
| 1 | ALT TABLA | PIK DÖKÜM |
| 2 | MOTOR BRAKETİ | PIK DÖKÜM |
| 3 | ALT GÖVDE (GİRİŞÇIKIŞ) | PASLANMAZ AISI 304 |
| 4 | ÜST GÖVDE | PASLANMAZ AISI 304 |
| 5 | GİRİŞ DİFÜZÖR | PASLANMAZ AISI 304 |
| 6 | YATAKLI DİFÜZÖR | PASLANMAZ AISI 304 |
| 7 | DİFÜZÖR | PASLANMAZ AISI 304 |
| 8 | ÇIKIŞ DİFÜZÖRÜ | PASLANMAZ AISI 304 |
| 9 | ÇARK | PASLANMAZ AISI 304 |
| 10 | ŞAFT | PASLANMAZ AISI 304 / AISI 316 |
| 11 | TEL SEGMAN | PASLANMAZ AISI 304 |
| 12 | SEGMAN BURCU | PASLANMAZ AISI 304 |
| 13 | KARBÜR ALT BURÇ | PASLANMAZ AISI 304 |
| 14 | ŞAFT BURCU | TUNGSTEN KARBÜR (YG6) |
| 15 | KARBÜR ÜST BURÇ | PASLANMAZ AISI 304 |
| 16 | ARA BURÇ | PASLANMAZ AISI 304 |
| 17 | ÜST BURÇ | PASLANMAZ AISI 304 |
| 18 | ÜST KİLİT SOMUNU | PASLANMAZ AISI 304 |
| 19 | MAKANİK SALMASTRA | (G60/M106K/CE/EPDM/ SUS304) |
| 20 | KILIF ORİNG | EPDM |
| 21 | KILIF | PASLANMAZ AISI 304 |
| 22 | SAPLAMA | GALVANİZ KAPLAMA |
| 23 | SOMUN | GALVANİZ KAPLAMA |
| 24 | KAPLIN PİM | ALÜMİNYUM |
| 25 | KAPLIN CİVATA GRUBU | GALVANİZ KAPLAMA |
| 26 | MUHAFIZA SACI | PASLANMAZ AISI 304 |
| 27 | HAVA PÜRJÖRÜ | GALVANİZ KAPLAMA |
| 28 | BOŞALTMA TAPASI | PASLANMAZ AISI 304 |

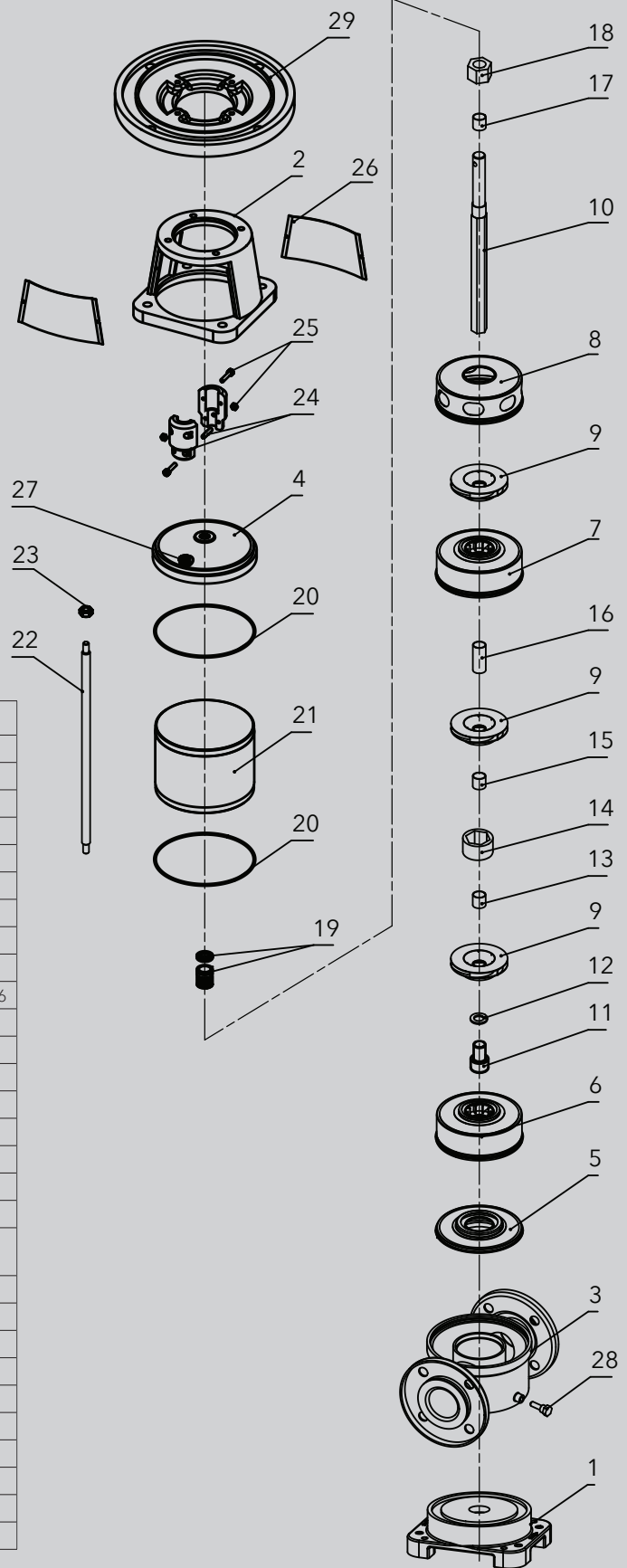
| NO | KOD | PARÇA ADI | LİSTE SATIŞ FİYATI |
|------------|----------------------------|--|--------------------|
| 1 | 0861000002 | KI 8-12-16 ALT TABLA | 2721,04 ₺ |
| 2 | 0861000006 | KI 8-12-16 MOTOR BRAKETİ (90 LİK) | 2523,88 ₺ |
| | 0861000007 | KI 8-12-16 MOTOR BRAKETİ (100 LÜK) | 2676,42 ₺ |
| 3 | 0860800001 | KI 8-12-16 ÜST GÖVDE PAS. | 19,10 \$ |
| 4 | 0860800002 | KI 8-12-16 ALT GÖVDE PAS. | 157,19 \$ |
| 5 | C700800004 | CDLF 8-12 GİRİŞ DİFÜZÖRÜ | 6,22 \$ |
| | C701600004 | CDLF 16-20 GİRİŞ DİFÜZÖRÜ | 6,70 \$ |
| 6 | C700800002 | CDLF 8-12 DİFÜZÖR | 18,42 \$ |
| | C701600002 | CDLF 16 DİFÜZÖR | 20,44 \$ |
| | C702000002 | CDLF 20 DİFÜZÖR | 23,92 \$ |
| 7 | C700800001 | CDLF 8 FAN | 5,47 \$ |
| | C701200001 | CDLF 12 FAN | 6,51 \$ |
| | C701600001 | CDLF 16 FAN | 10,07 \$ |
| | C702000001 | CDLF 20 FAN | 11,87 \$ |
| 8 | C700800003 | CDLF 8-12 ÇIKIŞ DİFÜZÖRÜ | 15,80 \$ |
| | C701600003 | CDLF 16 ÇIKIŞ DİFÜZÖR | 28,94 \$ |
| | C702000003 | CDLF 20 ÇIKIŞ DİFÜZÖR | 28,94 \$ |
| 9 | 0860802001 | KI 8-12/2 ŞAFT L=123mm | 17,80 \$ |
| | 0860803001 | KI 8-12/3 ŞAFT L=153mm | 18,71 \$ |
| | 0860804001 | KI 8-12/4 ŞAFT L=183mm | 19,63 \$ |
| | 0860805001 | KI 8-12/5 ŞAFT L=213mm | 20,54 \$ |
| | 0860806001 | KI 8-12/6 ŞAFT L=243mm | 21,46 \$ |
| | 0860807001 | KI 8-12/7 ŞAFT L=273mm | 22,38 \$ |
| | 0860808001 | KI 8-12/8 ŞAFT L=303mm | 23,29 \$ |
| | 0860809001 | KI 8-12/9 ŞAFT L=333mm | 24,21 \$ |
| | 0860810001 | KI 8-12/10 ŞAFT L=363mm | 25,12 \$ |
| | 0860811001 | KI 8-12/11 ŞAFT L=392mm | 26,01 \$ |
| | 0860812001 | KI 8-12/12 ŞAFT L=422mm | 26,92 \$ |
| | 0860813001 | KI 8-12/13 ŞAFT L=452mm | 27,84 \$ |
| | 0860814001 | KI 8-12/14 ŞAFT L=482mm | 26,77 \$ |
| | 0860815001 | KI 8-12/15 ŞAFT L=512mm | 27,62 \$ |
| | 0860816001 | KI 8-12/16 ŞAFT L=542mm | 28,47 \$ |
| | 0860817001 | KI 8-12/17 ŞAFT L=572mm | 29,32 \$ |
| | 0860818001 | KI 8-12/18 ŞAFT L=602mm | 30,17 \$ |
| | 0860819001 | KI 8/19 ŞAFT L=632mm | 31,02 \$ |
| | 0860820001 | KI 8/20 ŞAFT L=662mm | 31,87 \$ |
| | 0861602001 | KI 16-20/2 ŞAFT L=132,5mm | 16,86 \$ |
| | 0861603001 | KI 16-20/3 ŞAFT L=177,5mm | 18,14 \$ |
| | 0861604001 | KI 16-20/4 ŞAFT L=222,5mm | 19,41 \$ |
| | 0861605001 | KI 16-20/5 ŞAFT L=267,5mm | 20,69 \$ |
| | 0861606001 | KI 16-20/6 ŞAFT L=312,5mm | 21,96 \$ |
| | 0861607001 | KI 16-20/7 ŞAFT L=357,5mm | 23,24 \$ |
| | 0861608001 | KI 16-20/8 ŞAFT L=402,5mm | 24,51 \$ |
| | 0861609001 | KI 16-20/9 ŞAFT L=447,5mm | 25,79 \$ |
| | 0861610001 | KI 16-20/10 ŞAFT L=490,5mm | 27,01 \$ |
| 0861611001 | KI 16-20/11 ŞAFT L=535,5mm | 28,28 \$ | |
| 0861612001 | KI 16-20/12 ŞAFT L=580,5mm | 29,56 \$ | |
| 0861613001 | KI 16-20/13 ŞAFT L=625,5mm | 30,84 \$ | |
| 0861614001 | KI 16-20/14 ŞAFT L=670,5mm | 32,11 \$ | |
| 0861615001 | KI 16-20/15 ŞAFT L=715,5mm | 33,39 \$ | |
| 0861616001 | KI 16-20/16 ŞAFT L=760,5mm | 34,66 \$ | |
| 0861617001 | KI 16-20/17 ŞAFT L=805,5mm | 35,94 \$ | |
| 0861618001 | KI 16-20/18 ŞAFT L=850,5mm | 37,21 \$ | |
| 10 | 0220000003 | MEKANİK SALMASTRA Q 16 K. | 5,56 \$ |
| 11 | 0240800007 | KI/KO-ST 8-12-16-20 PAS.KİLİT SOMUNU | 3,21 \$ |
| | 0861600002 | KI 16-20 KİLİT BURCU PAS. L=12mm | 3,15 \$ |
| 12 | 0860800003 | KI 8-12 ÜST BURÇ L=15mm*ø22*1 | 0,95 \$ |
| | 0241600004 | KO-ST16-20 ÜST BURÇ L=18mm*ø22*1 | 0,63 \$ |
| 13 | 0240800005 | KO-ST/KI 8-12 ARA BURÇ L=29mm *ø22*1 | 1,58 \$ |
| | 0241600003 | KO-ST/KI 16-20 ALT/ARA BURÇ L=44mm*ø22*1 | 1,73 \$ |
| 14 | 0860800004 | KI 8-12 ALT BURÇ L=43mm*ø22*1 | 1,20 \$ |
| | 0861600001 | KI 16-20 ALT BURÇ L=50mm*ø22*1 | 1,29 \$ |

KI 8-12-16-20 SERİSİ

| NO | KOD | PARÇA ADI | LİSTE SATIŞ FİYATI |
|------------|---------------------------|---|--------------------|
| 15 | 0240800011 | KO-ST/KI (8-12-16) SEGMAN BURCU PAS. | 1,73 \$ |
| 17 | 0240800008 | KO-ST/KI (8-12-16) BURÇ YATAĞI PAS. | 14,18 \$ |
| 18 | 0012000017 | ARA YATAK BURCU SB-014 KO | 2,52 € |
| 19 | 0860800008 | NBR O'RİNG Ø148.82x3.53mm | 28,12 ₺ |
| 20 | 0860802003 | KI 8-12/2 KILIF L=86mm | 17,27 \$ |
| | 0860803003 | KI 8-12/3 KILIF L=116mm | 20,45 \$ |
| | 0860804003 | KI 8-12/4 KILIF L=146mm | 23,62 \$ |
| | 0860805003 | KI 8-12/5 KILIF L=176mm | 26,79 \$ |
| | 0860806003 | KI 8-12/6 KILIF L=206mm | 29,96 \$ |
| | 0860807003 | KI 8-12/7 KILIF L=236mm | 33,13 \$ |
| | 0860808003 | KI 8-12/8 KILIF L=266mm | 36,31 \$ |
| | 0860809003 | KI 8-12/9 KILIF L=296mm | 39,48 \$ |
| | 0860810003 | KI 8-12/10 KILIF L=326mm | 42,65 \$ |
| | 0860811003 | KI 8-12/11 KILIF L=356mm | 45,82 \$ |
| | 0860812003 | KI 8-12/12 KILIF L=386mm | 48,99 \$ |
| | 0860813003 | KI 8-12/13 KILIF L=416mm | 52,17 \$ |
| | 0860814003 | KI 8-12/14 KILIF L=446mm | 55,34 \$ |
| | 0860815003 | KI 8-12/15 KILIF L=476mm | 58,51 \$ |
| | 0860816003 | KI 8-12/16 KILIF L=506mm | 61,68 \$ |
| | 0860817003 | KI 8-12/17 KILIF L=536mm | 64,85 \$ |
| | 0860818003 | KI 8-12/18 KILIF L=566mm | 68,03 \$ |
| | 0860819003 | KI 8/19 KILIF L=596mm | 71,20 \$ |
| | 0860820003 | KI 8/20 KILIF L=626mm | 74,37 \$ |
| | 0861602003 | KI 16-20/2 KILIF L=101mm | 19,71 \$ |
| | 0861603003 | KI 16-20/3 KILIF L=146mm | 24,46 \$ |
| | 0861604003 | KI 16-20/4 KILIF L=191mm | 29,22 \$ |
| | 0861605003 | KI 16-20/5 KILIF L=236mm | 33,98 \$ |
| | 0861606003 | KI 16-20/6 KILIF L=281mm | 38,74 \$ |
| | 0861607003 | KI 16-20/7 KILIF L=326mm | 43,50 \$ |
| | 0861608003 | KI 16-20/8 KILIF L=371mm | 48,25 \$ |
| | 0861609003 | KI 16-20/9 KILIF L=416mm | 53,01 \$ |
| | 0861610003 | KI 16-20/10 KILIF L=461mm | 57,77 \$ |
| | 0861611003 | KI 16-20/11 KILIF L=506mm | 62,53 \$ |
| | 0861612003 | KI 16-20/12 KILIF L=551mm | 67,29 \$ |
| | 0861613003 | KI 16-20/13 KILIF L=596mm | 72,04 \$ |
| | 0861614003 | KI 16-20/14 KILIF L=641mm | 76,80 \$ |
| 0861615003 | KI 16-20/15 KILIF L=686mm | 81,56 \$ | |
| 0861616003 | KI 16-20/16 KILIF L=731mm | 86,32 \$ | |
| 0861617003 | KI 20/17 KILIF L=776mm | 91,08 \$ | |
| 0861618003 | KI 20/18 KILIF L=821mm | 95,83 \$ | |
| 21 | 0251005002 | KAPLİN KO Ø16-24/90G (2,2 - 3 KW) | 11,45 \$ |
| | 0222503005 | KAPLİN KO Q16-28/100G (4-5,5-7,5 KW) | 14,22 \$ |
| | 0222506005 | KAPLİN KO Q38/11 KW | 19,79 \$ |
| | 0254500012 | KAPLİN Q42 /160 G 15-18,5 KW | 21,52 \$ |
| | 0250700013 | KAPLİN PİMİ Q6X26mm (KO 10-15-25) | 20,17 ₺ |
| 22 | | KAPLİN CİVATA GRUBU | 3,15 \$ |
| 23 | 0860800006 | KI 8-12-16 KAPLİN MUH.SACI (90 LİK) (1 ADET) | 1,64 \$ |
| | 0860800007 | KI 8-12-16 KAPLİN MUH.SACI (100 LÜK) (1 ADET) | 1,45 \$ |
| 24 | 0860802002 | KI 8-12/2 SAPLAMA M18 L=259mm | 8,92 \$ |
| | 0860803002 | KI 8-12/3 SAPLAMA M18 L=289mm | 9,22 \$ |
| | 0860804002 | KI 8-12/4 SAPLAMA M18 L=319mm | 9,52 \$ |
| | 0860805002 | KI 8-12/5 SAPLAMA M18 L=349mm | 9,81 \$ |
| | 0860806002 | KI 8-12/6 SAPLAMA M18 L=379mm | 10,11 \$ |
| | 0860807002 | KI 8-12/7 SAPLAMA M18 L=409mm | 10,40 \$ |
| | 0860808002 | KI 8-12/8 SAPLAMA M18 L=439mm | 10,70 \$ |
| | 0860809002 | KI 8-12/9 SAPLAMA M18 L=469mm | 11,00 \$ |
| | 0860810002 | KI 8-12/10 SAPLAMA M18 L=499mm | 11,29 \$ |
| | 0860811002 | KI 8-12/11 SAPLAMA M18 L=529mm | 13,18 \$ |
| | 0860812002 | KI 8-12/12 SAPLAMA M18 L=559mm | 13,48 \$ |
| | 0860813002 | KI 8-12/13 SAPLAMA M18 L=589mm | 13,77 \$ |
| | 0860814002 | KI 8-12/14 SAPLAMA M18 L=619mm | 14,07 \$ |
| | 0860815002 | KI 8-12/15 SAPLAMA M18 L=649mm | 14,37 \$ |

| NO | KOD | PARÇA ADI | LİSTE SATIŞ FİYATI |
|------------|---------------------------------|---------------------------------|--------------------|
| 24 | 0860816002 | KI 8-12/16 SAPLAMA M18 L=679mm | 14,66 \$ |
| | 0860817002 | KI 8-12/17 SAPLAMA M18 L=709mm | 14,96 \$ |
| | 0860818002 | KI 8-12/18 SAPLAMA M18 L=739mm | 15,25 \$ |
| | 0860819002 | KI 8/19 SAPLAMA M18 L=769mm | 15,55 \$ |
| | 0860820002 | KI 8/20 SAPLAMA M18 L=799mm | 15,85 \$ |
| | 0861602002 | KI 16-20/2 SAPLAMA M18 L=275mm | 9,08 \$ |
| | 0861603002 | KI 16-20/3 SAPLAMA M18 L=320mm | 9,53 \$ |
| | 0861604002 | KI 16-20/4 SAPLAMA M18 L=365mm | 9,97 \$ |
| | 0861605002 | KI 16-20/5 SAPLAMA M18 L=410mm | 10,41 \$ |
| | 0861606002 | KI 16-20/6 SAPLAMA M18 L=455mm | 10,86 \$ |
| | 0861607002 | KI 16-20/7 SAPLAMA M18 L=500mm | 12,89 \$ |
| | 0861608002 | KI 16-20/8 SAPLAMA M18 L=545mm | 13,34 \$ |
| | 0861609002 | KI 16-20/9 SAPLAMA M18 L=590mm | 13,78 \$ |
| | 0861610002 | KI 16-20/10 SAPLAMA M18 L=635mm | 14,23 \$ |
| | 0861611002 | KI 16-20/11 SAPLAMA M18 L=680mm | 14,67 \$ |
| | 0861612002 | KI 16-20/12 SAPLAMA M18 L=725mm | 15,12 \$ |
| | 0861613002 | KI 16-20/13 SAPLAMA M18 L=770mm | 15,56 \$ |
| | 0861614002 | KI 16-20/14 SAPLAMA M18 L=815mm | 16,01 \$ |
| 0861615002 | KI 16-20/15 SAPLAMA M18 L=860mm | 16,45 \$ | |
| 0861616002 | KI 16-20/16 SAPLAMA M18 L=905mm | 16,89 \$ | |
| 0861617002 | KI 16-20/17 SAPLAMA M18 L=950mm | 17,34 \$ | |
| 0861618002 | KI 16-20/18 SAPLAMA M18 L=995mm | 17,78 \$ | |
| 25 | ZFAB 00059 | SARF-ÇELİK RONDELA/PUL | 15,76 ₺ |
| 26 | ZFAB 00058 | SARF-ÇELİK SOMUN | 15,76 ₺ |
| 27 | 0251000003 | FLANŞ KO 132 | 2.057,84 ₺ |
| | 0254500008 | KO 45 ÜST 160 KAFA ADAPTÖR | 2.209,12 ₺ |

KI 8-12-16-20 SERİSİ PATLATILMIŞ GÖRÜNÜM



| NO | PARÇA ADI | MALZEME |
|----|-------------------------|-------------------------------|
| 1 | ALT TABLA | PIK DÖKÜM |
| 2 | MOTOR BRAKETİ | PIK DÖKÜM |
| 3 | ALT GÖVDE (GİRİŞÇIKIŞ) | PASLANMAZ AISI 304 |
| 4 | ÜST GÖVDE | PASLANMAZ AISI 304 |
| 5 | GİRİŞ DİFÜZÖR | PASLANMAZ AISI 304 |
| 6 | YATAKLI DİFÜZÖR | PASLANMAZ AISI 304 |
| 7 | DİFÜZÖR | PASLANMAZ AISI 304 |
| 8 | ÇIKIŞ DİFÜZÖR | PASLANMAZ AISI 304 |
| 9 | ÇARK | PASLANMAZ AISI 304 |
| 10 | ŞAFT | PASLANMAZ AISI 304 / AISI 316 |
| 11 | İNBUS CİVATA | PASLANMAZ AISI 304 |
| 12 | PUL | PASLANMAZ AISI 304 |
| 13 | KARBÜR ALT BURÇ | PASLANMAZ AISI 304 |
| 14 | ŞAFT BURCU | TUNGSTEN KARBÜR (YG6) |
| 15 | KARBÜR ÜST BURÇ | PASLANMAZ AISI 304 |
| 16 | ARA BURÇ | PASLANMAZ AISI 304 |
| 17 | ÜST BURÇ | PASLANMAZ AISI 304 |
| 18 | ÜST KİLİT SOMUNU | PASLANMAZ AISI 304 |
| 19 | MAKANİK SALMASTRA | (G60/M106K/CE/EPDM/SUS304) |
| 20 | KILIF ORİNG | EPDM |
| 21 | KILIF | PASLANMAZ AISI 304 |
| 22 | SAPLAMA | GALVANİZ KAPLAMA |
| 23 | SOMUN | GALVANİZ KAPLAMA |
| 24 | KAPLIN PİM | ALÜMİNYUM |
| 25 | KAPLIN CİVATA GRUBU | GALVANİZ KAPLAMA |
| 26 | MUHAFAZA SACI | PASLANMAZ AISI 304 |
| 27 | HAVA PÜRJÖRÜ | GALVANİZ KAPLAMA |
| 28 | BOŞALTIMA TAPASI | PASLANMAZ AISI 304 |
| 29 | **ADAPTÖR | PIK DÖKÜM |

**132 ve 160 Tipi Motor Gövdesi için

| NO | KOD | PARÇA ADI | LİSTE SATIŞ FİYATI |
|------------|---|---|--------------------|
| 1 | 0861000011 | KI 8-12-16-20 ALT TABLA | 66,37 \$ |
| 2 | 0861000006 | KI 8-12-16-20 MOTOR BRAKETİ (90 LİK) | 61,56 \$ |
| | 0861000007 | KI 8-12-16-20 MOTOR BRAKETİ (100 LÜK) | 65,28 \$ |
| 3 | 0860800002 | KI 8-12-16-20 ALT GÖVDE PASLANMAZ | 141,28 \$ |
| 4 | 0860800001 | KI 8-12-16-20 ÜST GÖVDE PASLANMAZ | 17,52 \$ |
| 5 | 0861500001 | KI-N 10-15 KARBÜR YATAK DİSKİ | 2,00 \$ |
| | 0862500001 | KI-N 25 KARBÜR YATAK DİSKİ | 1,50 \$ |
| 6 | 0221000002 | DİFÜZÖR K 10-15 | 4,14 € |
| | 0222500004 | DİFÜZÖR K 25 | 3,80 € |
| 7 | 0221000003 | HALKA KO 10-15 | 2,90 € |
| | 0222500006 | HALKA KO 25 | 4,15 € |
| 8 | 0862500002 | KI-N 10-15-25 ÜST DİSK | 1,54 € |
| 9 | 0221000001 | FAN K 10 | 3,26 € |
| | 0221000004 | FAN K 10/S | 3,26 € |
| | 0221500001 | FAN K 15 | 3,16 € |
| | 0222500002 | FAN K 25 | 3,21 € |
| 10 | 0861003001 | KI-N 10-15/3 KARBÜR MİLİ L:234mm | 21,42 \$ |
| | 0861004001 | KI-N 10-15/4 KARBÜR MİLİ L:272mm | 22,59 \$ |
| | 0861005001 | KI-N 10-15/5 KARBÜR MİLİ L:310mm | 23,76 \$ |
| | 0861006001 | KI-N 10-15/6 KARBÜR MİLİ L:348mm | 24,93 \$ |
| | 0861007001 | KI-N 10-15/7 KARBÜR MİLİ L:386mm | 26,10 \$ |
| | 0861008001 | KI-N 10-15/8 KARBÜR MİLİ L:424mm | 27,27 \$ |
| | 0861009001 | KI-N 10-15/9 KARBÜR MİLİ L:462mm | 28,44 \$ |
| | 0861010001 | KI-N 10-15/10 KARBÜR MİLİ L:500mm | 30,89 \$ |
| | 0861012001 | KI-N 10-15/12 KARBÜR MİLİ L:576mm | 33,34 \$ |
| | 0861015001 | KI-N 10-15/15 KARBÜR MİLİ L:690mm | 37,00 \$ |
| | 0862503001 | KI-N 25/3 KARBÜR MİLİ L:292mm | 28,67 \$ |
| | 0862504001 | KI-N 25/4 KARBÜR MİLİ L:349mm | 31,38 \$ |
| | 0862506001 | KI-N 25/6 KARBÜR MİLİ L:463mm | 36,80 \$ |
| | 0862508001 | KI-N 25/8 KARBÜR MİLİ L:577mm | 42,22 \$ |
| 0862510001 | KI-N 25/10 KARBÜR MİLİ L:691mm | 47,63 \$ | |
| 11 | 1014001021 | KARBÜR YATAK BURÇ (30X22X16) | 22,99 \$ |
| 12 | 0221000006 | TEL SEGMAN K 10-15 | 0,31 \$ |
| | 0222500019 | TEL SEKMAN K 25 | 0,35 \$ |
| 13 | 0221000007 | SEGMAN BURCU K 10-15 | 0,88 \$ |
| | 0222500011 | SEGMAN BURCU K 25 | 0,75 \$ |
| 14 | 1014001019 | ŞAFT BURCU (22X16X20) | 16,45 \$ |
| 15 | ZFAB 00054 | SARF-PASLANMAZ CİVATA | 0,53 \$ |
| 16 | ZFAB 00056 | SARF-PASLANMAZ RONDELA/PUL | 0,53 \$ |
| 17 | 860800009 | KO-ST / KI 8-12-16-20 90 KİLİT SOMUNU (M18) | 2,15 \$ |
| 18 | 0220000003 | MEKANİK SALMASTRA Q 16 K. | 5,56 \$ |
| 19 | 0860800008 | NBR O'RİNG Ø148x3.53mm | 0,69 \$ |
| 20 | 0861003003 | KI-N 10-15/3 POMPA KILIFI (KORDONLU) L:132mm | 24,37 \$ |
| | 0861004003 | KI-N 10-15/4 POMPA KILIF (KORDONLU) L:170mm | 28,73 \$ |
| | 0861005003 | KI-N 10-15/5 POMPA KILIF (KORDONLU) L:208mm | 33,09 \$ |
| | 0861006003 | KI-N 10-15/6 POMPA KILIF (KORDONLU) L:246mm | 37,45 \$ |
| | 0861007003 | KI-N 10-15/7 POMPA KILIF (KORDONLU) L:284mm | 41,82 \$ |
| | 0861008003 | KI-N 10-15/8 POMPA KILIF (KORDONLU) L:322mm | 46,18 \$ |
| | 0861009003 | KI-N 10-15/9 POMPA KILIF (KORDONLU) L:360mm | 50,54 \$ |
| | 0861010003 | KI-N 10-15/10 POMPA KILIF (KORDONLU) L:498mm | 54,90 \$ |
| | 0861012003 | KI-N 10-15/12 POMPA KILIF (KORDONLU) L:474mm | 63,62 \$ |
| | 0861015003 | KI-N 10-15/15 POMPA KILIF (KORDONLU) L:588mm | 76,70 \$ |
| | 0862503003 | KI-N 25/3 POMPA KILIF (KORDONLU) L:190mm | 31,03 \$ |
| | 0862504003 | KI-N 25/4 POMPA KILIF (KORDONLU) L:247mm | 37,57 \$ |
| | 0862506003 | KI-N 25/6 POMPA KILIF (KORDONLU) L:361mm | 50,65 \$ |
| | 0862508003 | KI-N 25/8 POMPA KILIF (KORDONLU) L:475mm | 63,73 \$ |
| 0862510003 | KI-N 25/10 POMPA KILIF (KORDONLU) L:589mm | 76,82 \$ | |

| NO | KOD | PARA ADI | LİSTE SATIŞ FİYATI |
|------------|----------------------------|--|--------------------|
| 21 | 0861003002 | KI-N 10-15/3 SAPLAMA L:240mm | 10,33 \$ |
| | 0861004002 | KI-N 10-15/4 SAPLAMA L:278mm | 10,70 \$ |
| | 0861005002 | KI-N 10-15/5 SAPLAMA L:316mm | 11,08 \$ |
| | 0861006002 | KI-N 10-15/6 SAPLAMA L:354mm | 11,45 \$ |
| | 0861007002 | KI-N 10-15/7 SAPLAMA L:392mm | 11,83 \$ |
| | 0861008002 | KI-N 10-15/8 SAPLAMA L:430mm | 12,20 \$ |
| | 0861009002 | KI-N 10-15/9 SAPLAMA L:468mm | 12,58 \$ |
| | 0861010002 | KI-N 10-15/10 SAPLAMA L:506mm | 12,95 \$ |
| | 0861012002 | KI-N 10-15/12 SAPLAMA L:582mm | 13,70 \$ |
| | 0861015002 | KI-N 10-15/15 SAPLAMA L:696mm | 14,83 \$ |
| | 0862503002 | KI-N 25/3 SAPLAMA L:297mm | 10,89 \$ |
| | 0862504002 | KI-N 25/4 SAPLAMA L:354mm | 11,45 \$ |
| | 0862506002 | KI-N 25/6 SAPLAMA L:468mm | 12,58 \$ |
| | 0862508002 | KI-N 25/8 SAPLAMA L:582mm | 13,70 \$ |
| 0862510002 | KI-N 25/10 SAPLAMA L:696mm | 14,83 \$ | |
| 22 | ZFAB 00058 | SARF-ELİK SOMUN | 0,53 \$ |
| 23 | 0250700013 | KAPLİN PİMİ Q6X26mm (KO 10-15-25) | 0,49 \$ |
| 24 | 0240000001 | KO-ST / KI KAPLİN AYAR APARATI | 0,49 \$ |
| 25 | 0860800006 | KI 8-12-16-20 KAPLİN MUH.SACI 90'LİK | 1,45 \$ |
| | 0860800007 | KI 8-12-16-20 KAPLİN MUH.SACI 100'LÜK | 1,45 \$ |
| 26 | 0190000008 | KO-ST / KI 8-12-16-20 90 ÜST GÖVDE HAVA ATMA PURJÖRÜ | 2,42 \$ |
| 27 | 0860000910 | KO-ST / KI 8-12-16-20 90 ALT GÖVDE BOŞALTMA TAPASI | 2,15 \$ |
| 28 | 0254500008 | KO 45 ÜST 132-160 KAFA ADAPTÖR | 2209 ₺ |

KO SERİSİ KOLLEKTÖR

| NO | KOD | PARÇA ADI | LİSTE SATIŞ FİYATI |
|----|--------------|--|--------------------|
| 1 | 026 2000 013 | 2 KO 10-15-VM 66-66 BASINÇ KOLL 2"-1"1/4 | 1.869,83 ₺ |
| 2 | 026 2000 002 | 2 KO 25 BASINÇ KOLL 2 1/2" - 1 1/2" | 2.248,47 ₺ |
| 3 | 026 2000 017 | 2 KO 25-10 BASINÇ KOLL 2"1/2-1"1/2 | 2.248,47 ₺ |
| 4 | 026 2000 005 | 2 KO 35 BASINÇ KOLL 2"1/2 - 2 " | 2.299,95 ₺ |
| 5 | 026 2000 009 | 2 KO 45 BASINÇ KOLL 3"-2 1/2" | 2.903,43 ₺ |
| 6 | 026 2000 015 | 2 VM 46 BASINÇ KOLL 2"-1" | 1.869,83 ₺ |
| 7 | 026 2000 023 | 2 KO 4 BASINÇ KOLL 1"1/2-1" | 1.528,72 ₺ |
| 8 | 026 2000 021 | 2 KO 7 BASINÇ KOLL 1"1/2-1"1/4 | 1.528,72 ₺ |
| 10 | 026 2000 014 | 2 KO 10-15-VM 66-68 EMİŞ KOLL 2"-1"1/4 | 1.664,93 ₺ |
| 11 | 026 2000 004 | 2 KO 25 EMİŞ KOLL 2 1/2"-1 1/2" | 2.043,57 ₺ |
| 12 | 026 2000 018 | 2 KO 25-10 EMİŞ KOLL 2"1/2-1"1/2 | 2.212,05 ₺ |
| 13 | 026 2000 007 | 2 KO 35 EMİŞ KOLL 3"-2"1/2 | 2.649,65 ₺ |
| 14 | 026 2000 010 | 2 KO 45 EMİŞ KOLL. 4"-3" | 3.526,13 ₺ |
| 15 | 026 2000 016 | 2 VM 46 EMİŞ KOLL 2"-1" | 1.664,93 ₺ |
| 16 | 026 2000 024 | 2 KO 4 EMİŞ KOLL 1 1/2"-1" | 1.305,33 ₺ |
| 17 | 026 2000 022 | 2 KO 7 EMİŞ KOLL 1 1/2"-11/4" | 1.305,33 ₺ |
| 19 | 026 3000 025 | 3 KO 4. BASINÇ KOLL. 2"-1 | 1.563,76 ₺ |
| 20 | 026 3000 027 | 3 KO 7. BASINÇ KOLL. 2"-11/4" | 1.563,76 ₺ |
| 21 | 026 3000 002 | 3 KO 10-15 BASINÇ KOLL 2 1/2 " - 1 1/4" | 2.221,03 ₺ |
| 22 | 026 3000 004 | 3 KO 25 BASINÇ KOLL 2 1/2" - 1 1/2" | 2.247,24 ₺ |
| 23 | 026 3000 023 | 3 KO 25/10 BAS.KOLL. 21/2"-11/2" | 2.247,24 ₺ |
| 24 | 026 3000 010 | 3 KO 35 BASINÇ KOLL 3" - 2" | 2.890,99 ₺ |
| 25 | 026 3000 013 | 3 KO 45 BASINÇ KOLL 4" - 2"1/2 | 4.240,12 ₺ |
| 27 | 026 3000 026 | 3 KO 4 EMİŞ KOLL. 2-1" | 1.484,92 ₺ |
| 28 | 026 3000 028 | 3 KO 7. EMİŞ KOLL. 2"-11/4" | 1.484,92 ₺ |
| 29 | 026 3000 003 | 3 KO 10-15 EMİŞ KOLL 2 1/2 "-1 1/4" | 2.137,58 ₺ |
| 30 | 026 3000 005 | 3 KO 25 EMİŞ KOLL 3"-1 1/2" | 2.855,95 ₺ |
| 31 | 026 3000 024 | 3 KO 25/10 EMİŞ KOLL. 3"-11/2" | 2.855,95 ₺ |
| 32 | 026 3000 012 | 3 KO 35 EMİŞ KOLL 4" - 2"1/2" | 4.003,59 ₺ |
| 33 | 026 3000 011 | 3 KO 45 EMİŞ KOLL DN125 - 3" | 9.181,09 ₺ |

| NO | KOD | PARÇA ADI | LİSTE SATIŞ FİYATI |
|----|--------------|---------------------------------------|--------------------|
| 1 | 001 4400 001 | PASLANMAZ HEX NİPEL 1" | FİYAT SORUNUZ |
| 2 | 001 4400 002 | PASLANMAZ HEX NİPEL 1 1/4 | FİYAT SORUNUZ |
| 3 | 001 4400 003 | PASLANMAZ HEX NİPEL 1 1/2 | FİYAT SORUNUZ |
| 4 | 001 4400 004 | PASLANMAZ HEX NİPEL 2" | FİYAT SORUNUZ |
| 5 | 001 4400 005 | PASLANMAZ HEX NİPEL 2 1/2 | FİYAT SORUNUZ |
| 6 | 001 4501 011 | 1" ÇEKVALF NİPELLİ | 724,34 ₺ |
| 7 | 001 4501 012 | 1 1/4 ÇEKVALF NİPELLİ | 1.207,21 ₺ |
| 8 | 0014501013 | 1 1/2 ÇEKVALF NİPELLİ | 1.298,90 ₺ |
| 9 | 001 4501 003 | DİK ÇEKVALF 1" | 724,34 ₺ |
| 10 | 001 4501 002 | DİK ÇEKVALF 1 1/4 | 1.206,53 ₺ |
| 11 | 001 4501 005 | DİK ÇEKVALF 1 1/2 | 1.748,71 ₺ |
| 12 | 001 4501 006 | DİK ÇEKVALF 2" | 2.826,66 ₺ |
| 13 | 001 4501 007 | DİK ÇEKVALF 2 1/2 | 4.431,79 ₺ |
| 14 | 001 4507 001 | 304K PAS. GLENLİ ÇEKVALF KO90 1" | 27,36 \$ |
| 15 | 001 4507 002 | 304K PAS. GLENLİ ÇEKVALF KO90 1 1/4" | 29,19 \$ |
| 16 | 001 4507 003 | 304K PAS. GLENLİ ÇEKVALF KO100 1 1/4" | 29,92 \$ |
| 17 | 001 4503 006 | DUAL /DİSCO TİP ÇEKVALF ND 40 | FİYAT SORUNUZ |
| 18 | 001 4503 004 | DUAL /DİSCO TİP ÇEKVALF ND 50 | FİYAT SORUNUZ |
| 19 | 001 4503 002 | DUAL /DİSCO TİP ÇEKVALF ND 65 | FİYAT SORUNUZ |
| 20 | 001 4503 003 | DUAL /DİSCO TİP ÇEKVALF ND 80 | FİYAT SORUNUZ |
| 21 | 001 4503 001 | DUAL /DİSCO TİP ÇEKVALF ND 100 | FİYAT SORUNUZ |
| 22 | 001 4503 005 | DUAL /DİSCO TİP ÇEKVALF ND 125 | FİYAT SORUNUZ |
| 23 | 001 4503 007 | DUAL /DİSCO TİP ÇEKVALF ND 150 | FİYAT SORUNUZ |
| 24 | 001 4505 001 | 5 YOLLU ÇEKVALF 1" | 1.551,78 ₺ |
| 25 | 001 4505 002 | 5 YOLLU ÇEKVALF 1"1/4 | 2.405,86 ₺ |
| 26 | 001 4505 003 | 5 YOLLU ÇEKVALF 1"1/2 | 3.066,40 ₺ |
| 27 | 001 4505 004 | 5 YOLLU ÇEKVALF 2" | 4.311,05 ₺ |
| 28 | 001 4600 021 | KÜRESEL VANA 1" NİPELLİ | 938,65 ₺ |
| 29 | 001 4600 022 | KÜRESEL VANA 1 1/4 NİPELLİ | 1.461,55 ₺ |
| 30 | 001 4600 023 | KÜRESEL VANA 1 1/2 NİPELLİ | 1.811,68 ₺ |
| 31 | 0014600009 | KÜRESEL VANA 1" | 1.062,88 ₺ |
| 32 | 0014600012 | KÜRESEL VANA 1 1/4 | 1.654,99 ₺ |
| 33 | 001 4600 010 | KÜRESEL VANA 1 1/2 | 2.606,24 ₺ |
| 34 | 001 4600 011 | KÜRESEL VANA 2" | 3.931,20 ₺ |
| 35 | 001 4600 007 | KÜRESEL VANA 2 1/2 | 7.838,13 ₺ |
| 36 | 001 4600 013 | KÜRESEL VANA 3" | 10.434,67 ₺ |
| 37 | 001 4610 006 | KELEBEK VANA Q 40 | 74,94 \$ |
| 38 | 001 4610 004 | KELEBEK VANA Q 50 | 89,16 \$ |
| 39 | 001 4610 003 | KELEBEK VANA Q 65 | 96,91 \$ |
| 40 | 001 4610 002 | KELEBEK VANA Q 80 | 112,41 \$ |
| 41 | 001 4610 001 | KELEBEK VANA Q 100 | 138,26 \$ |
| 42 | 001 4610 005 | KELEBEK VANA ND 125 | 179,60 \$ |
| 43 | 001 4610 007 | KELEBEK VANA ND 150 | 219,66 \$ |
| 44 | 001 5510 095 | YILDIZ KAPLİN Y95 | 3.198,79 ₺ |
| 45 | 001 5510 110 | YILDIZ KAPLİN Y110 | 3.740,85 ₺ |
| 46 | 001 5510 125 | YILDIZ KAPLİN Y125 | 5.041,45 ₺ |
| 47 | 001 5510 140 | YILDIZ KAPLİN Y140 | 6.230,17 ₺ |
| 48 | 001 5510 160 | YILDIZ KAPLİN Y160 | 7.697,58 ₺ |
| 49 | 001 5510 180 | YILDIZ KAPLİN Y180 | 8.691,88 ₺ |
| 50 | 001 5520 110 | H KAPLİN H110 | 5.990,40 ₺ |
| 51 | 001 5520 125 | H KAPLİN H125 | 8.624,01 ₺ |
| 52 | 001 5520 140 | H KAPLİN H140 | 10.535,40 ₺ |
| 53 | 001 5520 160 | H KAPLİN H160 | 12.291,50 ₺ |
| 54 | 001 5520 180 | H KAPLİN H180 | 22.990,62 ₺ |
| 55 | 001 5801 032 | PN 16 DN 32 DÜZ FLANŞ | 516,22 ₺ |
| 56 | 001 5801 040 | PN 16 DN 40 DÜZ FLANŞ | 611,08 ₺ |
| 57 | 001 5801 050 | PN 16 DN 50 DÜZ FLANŞ | 838,30 ₺ |
| 58 | 001 5801 065 | PN 16 DN 65 DÜZ FLANŞ | 970,67 ₺ |

YANGIN /KULLANIM SUYU HİDROFORLARI BAĞLANTI ELEMANLARI

| NO | KOD | PARÇA ADI | LİSTE SATIŞ FİYATI |
|-----|--------------|--------------------------------------|--------------------|
| 59 | 001 5801 080 | PN 16 DN 80 DÜZ FLANŞ | 1.069,94 ₺ |
| 60 | 001 5801 100 | PN 16 DN 100 DÜZ FLANŞ | 1.219,95 ₺ |
| 61 | 001 5801 125 | PN 16 DN 125 DÜZ FLANŞ | 1.425,12 ₺ |
| 62 | 001 5801 150 | PN 16 DN 150 DÜZ FLANŞ | 2.062,67 ₺ |
| 63 | 001 5801 200 | PN 16 DN 200 DÜZ FLANŞ | 2.812,73 ₺ |
| 64 | 001 5802 050 | PN 16 DN 50 KÖR FLANŞ | 1.341,28 ₺ |
| 65 | 001 5802 065 | PN 16 DN 65 KÖR FLANŞ | 1.555,27 ₺ |
| 66 | 001 5802 080 | PN 16 DN 80 KÖR FLANŞ | 1.725,14 ₺ |
| 67 | 001 5802 100 | PN 16 DN 100 KÖR FLANŞ | 1.950,16 ₺ |
| 68 | 001 5802 125 | PN 16 DN 125 KÖR FLANŞ | 2.287,68 ₺ |
| 69 | 001 5802 150 | PN 16 DN 150 KÖR FLANŞ | 3.300,27 ₺ |
| 70 | 001 5802 200 | PN 16 DN 200 KÖR FLANŞ | 4.500,36 ₺ |
| 71 | 001 5802 250 | PN 16 DN 250 KÖR FLANŞ | 11.065,60 ₺ |
| 72 | 001 5802 300 | PN 16 DN 300 KÖR FLANŞ | 15.751,27 ₺ |
| 73 | 001 5802 350 | PN 16 DN 350 KÖR FLANŞ | 20.185,45 ₺ |
| 74 | 001 5803 100 | PAS. KÖR FLANŞ DN100 304K. PN16 | FIYAT SORUNUZ |
| 75 | 001 5803 125 | PAS. KÖR FLANŞ DN125 304K. PN16 | FIYAT SORUNUZ |
| 76 | 001 5803 150 | PAS. KÖR FLANŞ DN150 304K. PN16 | FIYAT SORUNUZ |
| 77 | 001 5803 200 | PAS. KÖR FLANŞ DN200 304K. PN16 | FIYAT SORUNUZ |
| 78 | 001 5803 250 | PAS. KÖR FLANŞ DN250 304K. PN16 | FIYAT SORUNUZ |
| 79 | 001 5820 008 | KOMPANSATÖR FLŞ.DN32 | 46,80 \$ |
| 80 | 001 5820 009 | KOMPANSATÖR DN40 | 57,20 \$ |
| 81 | 001 5820 007 | KOMPANSATÖR FLŞ.DN50 | 72,80 \$ |
| 82 | 001 5820 006 | KOMPANSATÖR FLŞ.DN65 | 83,20 \$ |
| 83 | 001 5820 001 | KOMPANSATÖR FLŞ.DN80 | 109,20 \$ |
| 84 | 001 5820 002 | KOMPANSATÖR FLŞ.DN100 | 119,60 \$ |
| 85 | 001 5820 003 | KOMPANSATÖR FLŞ.DN125 | 161,20 \$ |
| 86 | 001 5820 004 | KOMPANSATÖR FLŞ.DN150 | 203,27 \$ |
| 87 | 001 5820 005 | KOMPANSATÖR FLŞ.DN200 | 293,09 \$ |
| 88 | 001 5900 001 | BASKILI FLANŞ PAS. 1" 304K | 31,89 € |
| 89 | 001 5900 002 | BASKILI FLANŞ PAS. 1 1/4" 304K | 42,58 € |
| 90 | 001 5900 003 | BASKILI FLANŞ PAS. 1 1/2" 304K | 44,60 € |
| 91 | 001 5900 005 | BASKILI FLANŞ PAS. 2" 304K | 64,00 € |
| 92 | 001 5900 006 | BASKILI FLANŞ PAS. 2 1/2" 304K | 70,84 € |
| 93 | 0014800003 | KAPAK (DİŞİ) KÖR TAPA 1"1/2 GALVANİZ | 188,03 ₺ |
| 94 | Y9002672058 | KAPAK (DİŞİ) KÖR TAPA 2" GALVANİZ | 332,97 ₺ |
| 95 | Y9002672059 | KAPAK (DİŞİ) KÖR TAPA 2"1/2 GALVANİZ | 507,29 ₺ |
| 96 | Y9002672060 | KAPAK (DİŞİ) KÖR TAPA 3" GALVANİZ | 587,60 ₺ |
| 97 | 001 4800 007 | KAPAK (DİŞİ) KÖR TAPA 4" GALVANİZ | 1.267,79 ₺ |
| 98 | Y9002672070 | PAS. DİŞİ KÖRTAPA 1"1/2 304K. | FIYAT SORUNUZ |
| 99 | Y9002672071 | PAS. DİŞİ KÖRTAPA 2" 304K. | FIYAT SORUNUZ |
| 100 | Y9002672072 | PAS. DİŞİ KÖRTAPA 2"1/2 304K. | FIYAT SORUNUZ |
| 101 | Y9002672073 | PAS. DİŞİ KÖRTAPA 3" 304K. | FIYAT SORUNUZ |
| 102 | 0015400002 | Q50 MANOMETRE ALT ÇIK 1/4" 10-16 BAR | 6,30 € |
| 103 | 0015400008 | VAKUMETRE Q63 GLİSERİNLİ | 14,78 € |
| 104 | 0015400007 | Q63 GLİSERİNLİ MANOMETRE 16-25 BAR | 14,78 € |
| 105 | 0014620009 | ND 40 YÜKS.MİLLİ SÜRG.VANA | 18.457,16 ₺ |
| 106 | 0014620007 | ND 50 YÜKS.MİLLİ SÜRG.VANA | 19.098,18 ₺ |
| 107 | 0014620002 | ND 65 YÜKS.MİLLİ SÜRG.VANA | 21.077,96 ₺ |
| 108 | 0014620003 | ND 80 YÜKS.MİLLİ SÜRG.VANA | 24.810,62 ₺ |
| 109 | 0014620004 | ND 100 YÜKS.MİLLİ SÜRG.VANA | 28.134,84 ₺ |
| 110 | 0014620005 | ND 125 YÜKS.MİLLİ SÜRG.VANA | 35.870,55 ₺ |
| 111 | 0014620006 | ND 150 YÜKS.MİLLİ SÜRG.VANA | 42.450,91 ₺ |
| 112 | 0014620001 | ND 200 YÜKS.MİLLİ SÜRG.VANA | 104.947,35 ₺ |
| 113 | 0014620008 | ND 250 YÜKS.MİLLİ SÜRG.VANA | 144.257,45 ₺ |
| 114 | 0014620010 | ND 300 YÜKS.MİLLİ SÜRG.VANA | 181.287,13 ₺ |
| 115 | 0014660003 | DN50 RELİEF VANA | 17.537,32 ₺ |
| 116 | 0014660004 | DN65 RELİEF VANA | 18.744,80 ₺ |
| 117 | 0014660005 | DN80 RELİEF VANA | 23.287,25 ₺ |
| 118 | 0014660001 | DN100 RELİEF VANA | 24.609,74 ₺ |
| 119 | 0014660008 | DN150 RELİEF VANA | 46.862,01 ₺ |
| 120 | 0014600050 | KÜRESEL VANA GLENLİ 1" | 37,23 \$ |
| 121 | 0014501043 | ÇEKVALF GLENLİ 1" | 27,36 \$ |
| 122 | 0014501042 | ÇEKVALF GLENLİ 1 1/4" | 32,32 \$ |
| 123 | 0014600042 | KÜRESEL VANA GLENLİ 1 1/4" | 46,92 \$ |

YATAY POMPALI ALARM KİTLİ YANGIN HİDROFORU (MOTOPOMP)

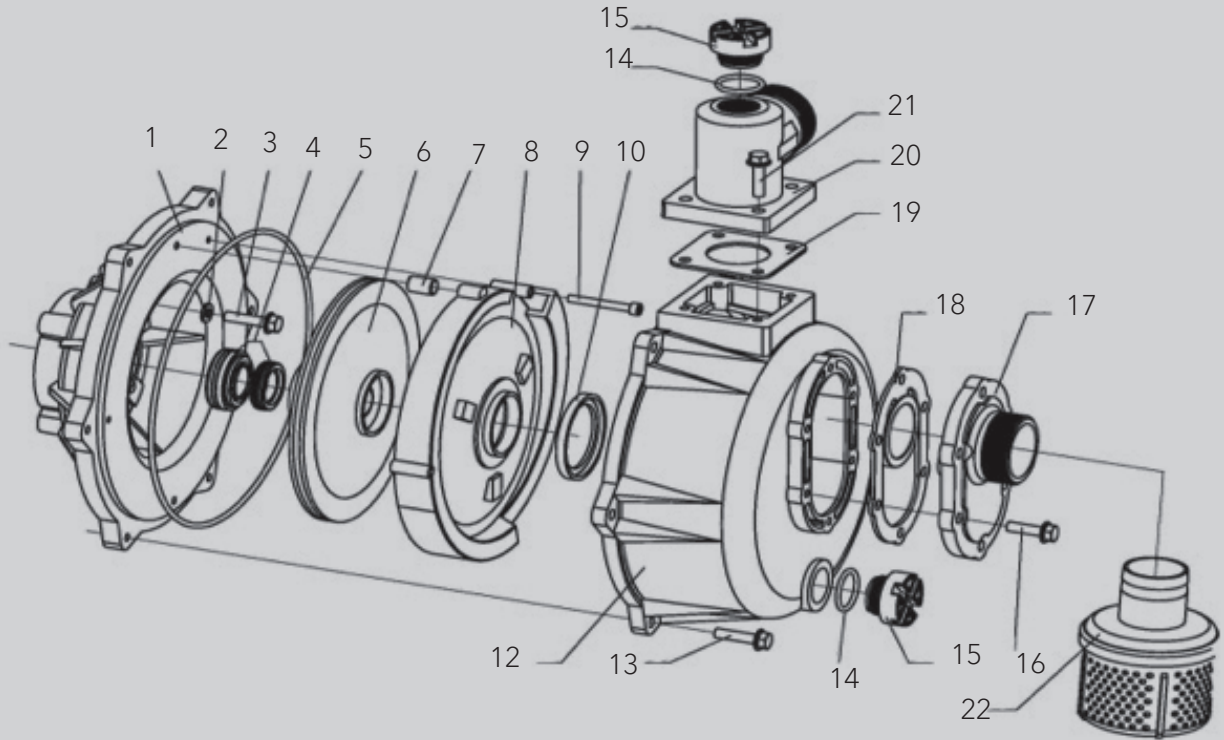
ETNA®

| NO. | KOD | PARÇA ADI | LİSTE SATIŞ FİYATI |
|-----|---------------|---|--------------------|
| 1 | 0263000008 | ALT ŞASE | 15.190,30 ₺ |
| 2 | C009340 | S DWP 20 HE 2" DİZEL MOTOPOMP | FİYAT SORUNUZ |
| 3a | 025 1307 000T | KO 10/7 MOTORSUZ TERS POMPA | 14.516,46 ₺ |
| 3b | 025 1309 000T | KO 10/9 MOTORSUZ TERS POMPA | 15.185,34 ₺ |
| 3c | 025 2306 000T | KO 15/6 MOTORSUZ TERS POMPA | 13.004,28 ₺ |
| 3d | 025 2308 000T | KO 15/8 MOTORSUZ TERS POMPA | 14.426,21 ₺ |
| 3e | 025 2309 000T | KO 15/9 MOTORSUZ TERS POMPA | 15.142,37 ₺ |
| 3f | 025 3306 000T | KO 25/6 MOTORSUZ TERS POMPA | 13.464,81 ₺ |
| 3g | 025 3308 000T | KO 25/8 MOTORSUZ TERS POMPA | 15.015,71 ₺ |
| 4a | C008605C | 3KW MOTOR | FİYAT SORUNUZ |
| 4b | C008606C | 4KW MOTOR | FİYAT SORUNUZ |
| 4c | C008607C | 5,5KW MOTOR | FİYAT SORUNUZ |
| 4d | C008608C | 7,5KW MOTOR | FİYAT SORUNUZ |
| 5 | 025 5308 000 | KO 4/8 MOTORSUZ POMPA | FİYAT SORUNUZ |
| | 025 5309 000 | KO 4/9 MOTORSUZ POMPA | FİYAT SORUNUZ |
| 6 | 026 3000 007 | BASINÇ KOLLEK. | 2.423,44 ₺ |
| 7 | 026 3000 006 | EMİŞ KOLLEK. | 2.351,92 ₺ |
| 8 | 001 5830 002 | DIŞLI KAUCUK KOMPANSATÖR 1 1/4" | 36,18 \$ |
| 9 | 001 5952 004 | YATAY KO POMPA FLANŞLI NİPEL 1 1/4" L270 | 505,34 ₺ |
| 10 | 001 5952 006 | EMİŞ - FLANŞLI, DIRSEKLI HORTUM FIŞI 1 1/4" | 685,53 ₺ |
| 11 | 001 5952 006 | EMİŞ - FLANŞLI, DIRSEKLI NİPEL 1 1/4" | 685,53 ₺ |
| 12 | 001 3900 004 | TELLİ HORTUM 1 1/4" (50 cm) | 933,60 ₺ |
| 13 | 001 3900 006 | EMİŞ HORTUMU 1 5/8 TELLİ (50 cm) | 1.260,10 ₺ |
| 14 | 001 3910 007 | FLEX HORTUM 1"-1"DÜZ MOTP.55-60 CM | 1.429,53 ₺ |
| 15 | 026 3000 019 | KO YATAY ŞASE BAĞ. AYAĞI (DİZEL) | 189,21 ₺ |
| 16 | 0013401011 | LASTİK TAKOZ E-D M8 30*40 | 70,91 ₺ |
| 17 | 040 0000 010 | YÜKSELTME TAKOZU, Ø45 (BORU) | 97,93 ₺ |
| 18 | 001 4600 022 | KÜRESEL VANA 1 1/4 NİPELLİ | 1.461,55 ₺ |
| 19 | 001 4600 009 | 1" KÜRESEL VANA | 1.062,88 ₺ |
| 22 | 001 4200 003 | 1" KUYRUKLU DIRSEK (GALV.) | 147,81 ₺ |
| 23 | Y9002672059 | KAPAK (DIŞI) KÖR TAPA 2"1/2 GALVANİZ | 507,29 ₺ |
| 25 | 001 4507 001 | 304K PAS. GLENLİ ÇEKVALF KO90 1" | 27,36 \$ |
| 26 | 001 5951 002 | POMPA NİPELİ 1" | 92,72 ₺ |
| 27 | 040 0000 049 | DİZEL YAKIT TANKI (24LT) | 4.228,67 ₺ |
| 28 | 040 0000 052 | DİZEL YAKIT TANKI AYAĞI | 1.624,54 ₺ |
| 29 | 026 3000 009 | 7,5 HP DİZEL + ELEK. MOTOR PANO BAĞ. SACI | 1.997,84 ₺ |
| 30 | 0060100108 | MOTOPOMP PANOSU | 466,98 \$ |
| 32 | 0400000027 | DEPO KAPAĞI | 488,48 ₺ |
| 33 | C900012 | AKÜ 12V DC 42 AMP | 6.441,70 ₺ |
| 34 | 001 3900 007 | PNOMATİK HORTUM 5*8 METRE | 24,52 ₺ |
| 35 | 0013830009 | 1/4" Ø8 PNOMATİK HORTUM DIRSEĞİ | 54,76 ₺ |
| 37 | 0013920000 | SUSTURUCU/EGZOZ 1" - FLEX | 2.552,73 ₺ |
| 39 | 005 1111 000 | (3-11) TAHLİYELİ ŞALTER | FİYAT SORUNUZ |
| 40 | 0015400007 | Q63 GLİSERİNLİ MANOMETRE 16-25 BAR | 14,78 € |
| 41 | 025 1000 006 | 7,5 HP DİZEL MOTOR ŞAFT ADAPTÖRÜ | 691,93 ₺ |
| 42 | 025 1000 007 | 7,5 HP MOTOR - KO FLANŞI | 59,41 \$ |

YATAY POMPALI ALARM KİTLİ YANGIN HİDROFORU (MOTOPOMP)

| NO. | KOD | PARÇA ADI | LİSTE SATIŞ FİYATI |
|-----|---------|-------------------------------------|--------------------|
| 1 | C009341 | S DWP 20 POMPA KAPAĞI | 247,27 \$ |
| 2 | C009342 | S DWP 20 POMPA SALMASTRA YIKAYICI | 2,42 \$ |
| 4 | C009344 | S DWP 20 POMPA MEKANİK SALMASTRA | 13,33 \$ |
| 6 | C009346 | S DWP 20 POMPA FANI | 30,30 \$ |
| 7 | C009347 | S DWP 20 POMPA PİNİ 6X20 | 2,42 \$ |
| 8 | C009348 | S DWP 20 POMPA DİFÜZÖR | 31,52 \$ |
| 9 | C009349 | S DWP 20 POMPA M6X40 GÖVDE CİVATA | 2,42 \$ |
| 10 | C009350 | S DWP 20 POMPA DİFÜZÖR CONTASI | 2,42 \$ |
| 12 | C009352 | S DWP 20 POMPA GÖVDESİ | 259,39 \$ |
| 13 | C009353 | S DWP 20 POMPA M8X30 GÖVDE CİVATASI | 2,42 \$ |
| 14 | C009354 | S DWP 20 POMPA O RİNG Q30X3,55 | 2,42 \$ |
| 17 | C009357 | S DWP 20 POMPA EMİŞ BAĞLANTISI | 31,52 \$ |
| 18 | C009358 | S DWP 20 POMPA ÇEKVALFI | 7,27 \$ |
| 19 | C009359 | S DWP 20 POMPA DIŞ CONTASI | 2,42 \$ |
| 20 | C009360 | S DWP 20 POMPA ÇIKIŞ BAĞLANTISI | 46,06 \$ |
| 23 | C009361 | S DWP 20 MAZOT DEPOSU | 50,91 \$ |
| 24 | C009362 | S DWP 20 MARŞ OTOMATIĞI | 115,15 \$ |
| 25 | C009363 | S DWP 20 HAVA FİLTRESİ | 21,82 \$ |
| 26 | C009364 | S DWP 20 YAKIT SELONİDİ | 72,73 \$ |
| 27 | C009366 | MOTOPOMP KONJEKTÖR | 36,36 \$ |
| 28 | C009367 | MOTOPOMP ÜST KAPAK BLOĞU | 84,85 \$ |
| 29 | C009365 | MOTOPOMP EGSOZ | 206,06 \$ |

PATLATILMIŞ GÖRÜNÜM

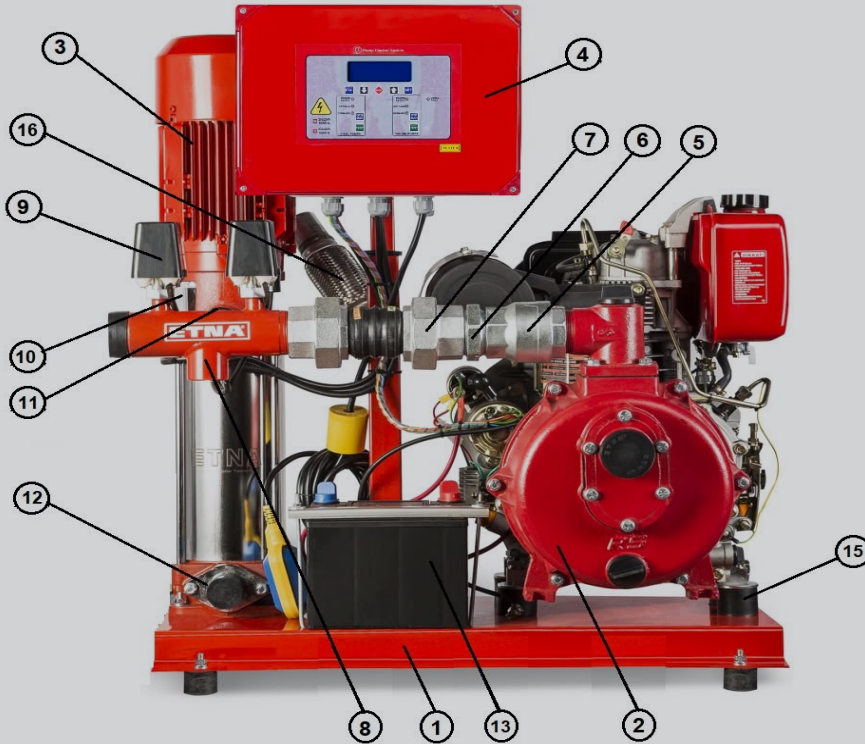


DİK POMPALI ALARM KİTLİ YANGIN HİDROFORU (MOTOPOMP)

ETNA®

| NO. | KOD | PARÇA ADI | LİSTE SATIŞ FİYATI |
|-----|--------------|---------------------------------------|--------------------|
| 1 | 040 0200 002 | ALT ŞASE | 2.748,20 ₺ |
| 2 | C009340 | S DWP 20 HE 2" DİZEL MOTOPOMP | FİYAT SORUNUZ |
| 3 | 025 1307 000 | KO 10/7-30 MOTORSUZ POMPA | FİYAT SORUNUZ |
| 4 | 0060100108 | MOTOPOMP PANOSU 2020 | 466,98 \$ |
| 5 | 001 4501 006 | DİK CEKVALF 2" | 2.826,66 ₺ |
| 6 | 001 4300 006 | NİPEL 2" (GALV.) | 333,62 ₺ |
| 7 | 001 5830 001 | DİŞLİ KAUÇUK KOMPANSATÖR 2" | 49,16 \$ |
| 8 | 040 1000 050 | BASINÇ KOLLEKTÖRÜ | 624,09 ₺ |
| 9 | 0051111000 | (3-11) TAHLİYELİ ŞALTER | FİYAT SORUNUZ |
| 10 | 0015400002 | Q50 MANOMETRE ALT ÇIKI 1/4" 10-16 BAR | 6,30 € |
| 11 | 001 4501 012 | 1 1/4 ÇEKVALF NİPELİ | FİYAT SORUNUZ |
| 12 | 001 5950 002 | KO 90 POMPA FLANŞI 1 1/4" ve O-RİNG | FİYAT SORUNUZ |
| 13 | C900012 | 12 V 42 A AKÜ | 6.441,70 ₺ |
| 14 | 040 0200 003 | AKÜ MONTAJ TABLASI | FİYAT SORUNUZ |
| 15 | 001 3401 010 | LASTİK TAKOZ ÇT M10 50*40 | 115,98 ₺ |
| 16 | 0013920000 | SUSTURUCU/EGZOZ 1" - FLEX | 2.552,73 ₺ |
| 17 | C005023 | FLATÖRLÜ ŞALTER 5 MT | 16,39 € |

PATLATILMIŞ GÖRÜNÜM



DİZEL MOTOR YEDEK PARÇA

| NO. | KOD | PARÇA ADI | LİSTE SATIŞ FİYATI |
|-----|------------|-----------------------------------|--------------------|
| 1 | CY2589 | 29 KW RADYATÖR SOĞUTMA FANI | 30,30 \$ |
| 2 | CY2589A | 41 KW RADYATÖR SOĞUTMA FANI | 37,33 \$ |
| 3 | CY2589B | 65 KW DIESEL ENGINE RADIATOR FAN | 42,67 \$ |
| 4 | CY2589C | 84 KW DIESEL ENGINE RADIATOR FAN | 43,64 \$ |
| 5 | CY2589D | 100 KW DIESEL ENGINE RADIATOR FAN | 46,06 \$ |
| 6 | CY2589F | 110 KW DIESEL ENGINE RADIATOR FAN | 48,48 \$ |
| 7 | CY2589G | 150 KW DIESEL ENGINE RADIATOR FAN | 48,48 \$ |
| 8 | C009362 | MOTOPOMP MARŞ MOTORU 12 V | 266,67 \$ |
| 9 | CY2578 | STOP SELONÖİDİ - 24 VOLT | 90,28 \$ |
| 10 | CY2579 | STOP SELONÖİDİ 12 V | 75,15 \$ |
| 11 | CD21100Y01 | DİZEL MARŞ MOTORU | 484,85 \$ |
| 12 | CY2587 | 29 KW DİESEL RADYATÖR | 654,55 \$ |
| 13 | CY2587A | 42 KW DİESEL RADYATÖR | 654,55 \$ |
| 14 | CY2587B | 65 KW DİESEL RADYATÖR | 715,15 \$ |
| 15 | CY2587C | 84 KW DİESEL RADYATÖR | 715,15 \$ |

JET SERİSİ

| NO | KOD | PARÇA ADI | LİSTE SATIŞ FİYATI |
|----|------------|---------------------------------------|--------------------------|
| 1 | C005010 | SJET100B POMPA 1HP STREAM | FİYAT SORUNUZ |
| 2 | C005023 | FLATÖRLÜ ŞALTER 5 MT 2*1,5 | 16,39 € |
| 3 | a | V170024 | 24 LT PN 10 TANK WS |
| | B | V170024Y | 24 LT PN10 YATAY TANK WS |
| | C | V170050Y | 50 LT PN10 YATAY TANK WS |
| 6 | a | 001 4505 001 | 5 YOLLU CEKVALF 1" |
| | B | 001 4505 002 | 5 YOLLU CEKVALF 1"1/4 |
| 7 | a | 0013910001 | FLEX HORTUM 1"-1" 60Cm. |
| | B | 0013910002 | FLEX HORTUM 1"-1" 70Cm. |
| 8 | a | 0051105000 | (1-5) TAHLİYELİ ŞALTER |
| | B | 0051108000 | (2-8) TAHLİYELİ ŞALTER |
| | C | 0051111000 | (3-11) TAHLİYELİ ŞALTER |
| | D | 0051116000 | (4-16) TAHLİYELİ ŞALTER |
| 9 | 0015400002 | Q50 MANOMETRE ALT ÇIKI 1/4" 10-16 BAR | 6,30 € |



| HİDROFORUN PARÇALARI | |
|----------------------|-----------------------------|
| 1 | ELEKTRİK MOTORU |
| 2 | POMPA |
| 3 | GÜÇ KABLOSU |
| 4 | BASINÇ ŞALTERİ |
| 5 | GENLEŞME TANKI |
| 6 | MANOMETRE |
| 7 | POMPA EMİŞ AĞZI |
| 8 | POMPA ÇIKIŞ AĞZI |
| 9 | PASLANMAZ TEL ÖRGÜLÜ HORTUM |
| 10 | 5 METRE KABLOLU FLATÖR |
| 11 | POMPA HAVA ALMA TAPASI |

UÇTAN EMİŞLİ POMPA

EA 32/26 SERİSİ

| NO | KOD | PARÇA ADI | LİSTE SATIŞ FİYATI |
|----|--------------|---|--------------------|
| 1 | 002 3000 013 | EA 32/260 SALYANGOZ GÖVDE (POMPA GÖVDESİ) | 10.268,39 ₺ |
| 2 | 051 0410 003 | SG 250 (YN) | 2.844,91 ₺ |
| 3 | 051 3400 905 | PF 250/EA32-40/26 ÖNKAPAK HAM | 2.048,90 ₺ |
| 4 | 002 5000 016 | EA 50/260 RULMAN GÖVDESİ | 3.725,53 ₺ |
| 5 | 002 3000 011 | EA 32/260 PİK FAN | 2.481,82 ₺ |
| | 002 3000 012 | EA 32/260 BRONZ FAN | 18.015,64 ₺ |
| 6 | 002 5000 001 | EA 50/26 POMPA ŞAFTI | 87,26 \$ |
| 7 | 002 5000 006 | EA 50-65-80/26 ÖN AYAK | 289,56 ₺ |
| 8 | 051 0000 003 | MEKANİK SALMASTRA EIL/EA 50/26 Q28 | 7,17 \$ |
| 9 | 002 5000 003 | RULMAN 6305 | 367,40 ₺ |
| 9 | 002 5000 004 | RULMAN 6306 | 502,29 ₺ |
| 10 | | EMNİYET SEGMANI | 37,82 ₺ |
| 11 | 002 5000 008 | 30X72X10 KEÇE | 113,11 ₺ |
| | 002 5000 009 | 25X62X8 KEÇE | 116,23 ₺ |
| 12 | 002 5000 026 | EA 50/260 PASLANMAZ KAMA | 242,07 ₺ |
| 13 | 002 5000 007 | NBR O'RİNG Ø255.00 x 4.00mm | 85,91 ₺ |
| 14 | 022 0000 015 | DOLDURMA VE TAHLİYE TAPASI | 66,18 ₺ |
| 15 | 002 5000 005 | PASLANMAZ SOMUN M16X1,5 | 8,13 \$ |

EA 40/26 SERİSİ

| NO | KOD | PARÇA ADI | LİSTE SATIŞ FİYATI |
|----|--------------|---|--------------------|
| 1 | 002 4000 013 | EA 40/260 SALYANGOZ GÖVDE (POMPA GÖVDESİ) | 10.660,76 ₺ |
| 2 | 051 0410 003 | SG 250 (YN) | 2.844,91 ₺ |
| 3 | 051 3400 905 | PF 250/EA32-40/26 ÖNKAPAK HAM | 2.048,90 ₺ |
| 4 | 002 5000 016 | EA 50/260 RULMAN GÖVDESİ | 3.725,53 ₺ |
| 5 | 002 4000 011 | EA 40/260 PİK FAN | 2.481,82 ₺ |
| | 002 4000 012 | EA 40/260 BRONZ FAN | 20.300,48 ₺ |
| 6 | 002 5000 001 | EA 50/26 POMPA ŞAFTI | 87,26 \$ |
| 7 | 002 5000 006 | EA 50-65-80/26 ÖN AYAK | 289,56 ₺ |
| 8 | 051 0000 003 | MEKANİK SALMASTRA EIL/EA 50/26 Q28 | 7,17 \$ |
| 9 | 002 5000 003 | RULMAN 6305 | 367,40 ₺ |
| 9 | 002 5000 004 | RULMAN 6306 | 502,29 ₺ |
| 10 | | EMNİYET SEGMANI | 37,82 ₺ |
| 11 | 002 5000 008 | 30X72X10 KEÇE | 113,11 ₺ |
| | 002 5000 009 | 25X62X8 KEÇE | 116,23 ₺ |
| 12 | 002 5000 026 | EA 50/260 PASLANMAZ KAMA | 242,07 ₺ |
| 13 | 002 5000 007 | NBR O'RİNG Ø255.00 x 4.00mm | 85,91 ₺ |
| 14 | 022 0000 015 | DOLDURMA VE TAHLİYE TAPASI | 66,18 ₺ |
| 15 | 002 5000 005 | PASLANMAZ SOMUN M16X1,5 | 8,13 \$ |

EA 50/26 SERİSİ

| NO | KOD | PARÇA ADI | LİSTE SATIŞ FİYATI |
|----|--------------|---|--------------------|
| 1 | 002 5000 013 | EA 50/260 SALYANGOZ GÖVDE (POMPA GÖVDESİ) | 10.566,87 ₺ |
| 2 | 002 5000 015 | EA 50/260 ARKA KAPAK (SALMASTRA GÖVDESİ) | 2.766,69 ₺ |
| 3 | 002 5000 014 | EA 50/260 ÖN KAPAK (POMPA FLANŞI) | 2.805,80 ₺ |
| 4 | 002 5000 016 | EA 50/260 RULMAN GÖVDESİ | 3.725,53 ₺ |
| 5 | 002 5000 011 | EA 50/260 PİK FAN (ÇARK) | 2.612,61 ₺ |
| | 002 5000 012 | EA 50/260 BRONZ FAN (ÇARK) | 18.929,58 ₺ |
| 6 | 002 5000 001 | EA 50/260 POMPA ŞAFTI | 87,26 \$ |
| 7 | 002 6000 006 | EA 50/260 POMPA AYAĞI | 141,82 ₺ |
| 8 | 051 0000 003 | EA 50/260 MEKANİK SAL. 2008-Q28 | 7,17 \$ |
| 9 | 002 5000 003 | RULMAN 6305 | 367,40 ₺ |
| 9 | 002 5000 004 | RULMAN 6306 | 502,29 ₺ |
| 10 | | EMNİYET SEGMANI | 37,82 ₺ |
| 11 | 002 5000 008 | 30X72X10 KEÇE | 113,11 ₺ |
| | 002 5000 009 | 25X62X8 KEÇE | 116,23 ₺ |
| 12 | 002 5000 026 | EA 50/260 PASLANMAZ KAMA | 242,07 ₺ |
| 13 | 002 5000 007 | NBR O'RİNG Ø255.00 x 4.00mm | 85,91 ₺ |
| 14 | 022 0000 015 | DOLDURMA VE TAHLİYE TAPASI | 66,18 ₺ |
| 15 | 002 5000 005 | PASLANMAZ SOMUN M16X1,5 | 8,13 \$ |

EA 50/315 SERİSİ

| NO | KOD | PARÇA ADI | LİSTE SATIŞ FİYATI |
|----|--------------|---|--------------------|
| 1 | 002 5100 013 | EA 50/315 SALYANGOZ GÖVDE (POMPA GÖVDESİ) | 15.248,92 ₺ |
| 2 | 002 5100 015 | EA 50/315 ARKA KAPAK (SALMASTRA GÖVDESİ) | 3.696,34 ₺ |
| 3 | 002 5100 014 | EA 50/315 ÖN KAPAK (POMPA FLANŞI) | 5.023,87 ₺ |
| 4 | 002 5100 016 | EA 50/315 RULMAN GÖVDESİ | 6.943,58 ₺ |
| 5 | 002 5100 011 | EA 50/315 PİK FAN (ÇARK) | 2.982,91 ₺ |
| | 002 5100 012 | EA 50/315 BRONZ FAN (ÇARK) | 30.353,82 ₺ |
| 6 | 002 6000 001 | EA 50/315 POMPA ŞAFTI | 104,36 \$ |
| 7 | 002 6000 006 | EA 50/315 POMPA AYAĞI | 141,82 ₺ |
| 8 | 002 6000 002 | ETN 65-80-100/26+50-65-80/32 MEKANİK SAL. | 11,61 \$ |
| 9 | 002 6000 004 | RULMAN 6307 | 657,37 ₺ |
| 10 | | EMNİYET SEGMANI | 37,82 \$ |
| 11 | 002 5000 010 | 35X80X10 KEÇE | 181,18 ₺ |
| 12 | 002 5000 026 | EA 50/260 PASLANMAZ KAMA | 242,07 ₺ |
| 13 | 002 5000 007 | NBR O'RİNG Ø255.00 x 4.00mm | 132,44 ₺ |
| 14 | 022 0000 015 | DOLDURMA VE TAHLİYE TAPASI | 66,18 ₺ |
| 15 | 002 5000 005 | PASLANMAZ SOMUN M16X1,5 | 8,13 \$ |

EA 65/260 SERİSİ

| NO | KOD | PARÇA ADI | LİSTE SATIŞ FİYATI |
|----|--------------|---|--------------------|
| 1 | 002 6000 013 | EA 65/260 SALYANGOZ GÖVDE (POMPA GÖVDESİ) | 12.172,88 ₺ |
| 2 | 002 6000 015 | EA 65/260 ARKA KAPAK (SALMASTRA GÖVDESİ) | 2.766,69 ₺ |
| 3 | 002 6000 014 | EA 65/260 ÖN KAPAK (POMPA FLANŞI) | 2.828,80 ₺ |
| 4 | 002 5100 016 | EA 65/260 RULMAN GÖVDESİ | 6.943,58 ₺ |
| 5 | 002 6000 011 | EA 65/260 PİK FAN (ÇARK) | 2.656,41 ₺ |
| | 002 6000 012 | EA 65/260 BRONZ FAN (ÇARK) | 21.214,42 ₺ |
| 6 | 002 6000 001 | EA 65/260 POMPA ŞAFTI | 104,36 \$ |
| 7 | 002 6000 006 | EA 65/260 POMPA AYAĞI | 141,82 ₺ |
| 8 | 002 6000 002 | ETN 65-80-100/26+50-65-80/32 MEKANİK SAL. | 11,61 \$ |
| 9 | 002 6000 004 | RULMAN 6307 | 657,37 ₺ |
| 10 | | EMNİYET SEGMANI | 37,82 ₺ |
| 11 | 002 5000 010 | 35X80X10 KEÇE | 181,18 ₺ |
| 12 | 002 5000 026 | EA 50/260 PASLANMAZ KAMA | 242,07 ₺ |
| 13 | 002 5000 007 | NBR O'RİNG Ø255.00 x 4.00mm | 85,91 ₺ |
| 14 | 022 0000 015 | DOLDURMA VE TAHLİYE TAPASI | 66,18 ₺ |
| 15 | 002 6000 005 | PASLANMAZ SOMUN 28 x 1,5 | 14,18 \$ |

EA 65/315 SERİSİ

| NO | KOD | PARÇA ADI | LİSTE SATIŞ FİYATI |
|----|--------------|---|--------------------|
| 1 | 002 6100 013 | EA 65/315 SALYANGOZ GÖVDE (POMPA GÖVDESİ) | 23.187,67 ₺ |
| 2 | 002 6100 015 | EA 65/315 ARKA KAPAK (SALMASTRA GÖVDESİ) | 5.040,46 ₺ |
| 3 | 002 5100 014 | EA 65/315 ÖN KAPAK (POMPA FLANŞI) | 6.850,74 ₺ |
| 4 | 002 5100 016 | EA 65/315 RULMAN GÖVDESİ | 9.468,52 ₺ |
| 5 | 002 6100 011 | EA 65/315 PİK FAN (ÇARK) | 4.703,64 ₺ |
| | 002 6100 012 | EA 65/315 BRONZ FAN (ÇARK) | 41.391,57 ₺ |
| 6 | 002 6000 001 | EA 65/315 POMPA ŞAFTI | 142,31 \$ |
| 7 | 002 6000 006 | EA 65/315 POMPA AYAĞI | 193,39 ₺ |
| 8 | 002 6000 002 | ETN 65-80-100/26+50-65-80/32 MEKANİK SAL. | 16,27 \$ |
| 9 | 002 6000 004 | RULMAN 6307 | 896,42 ₺ |
| 10 | | EMNİYET SEGMANI | 51,57 ₺ |
| 11 | 002 5000 010 | 35X80X10 KEÇE | 247,06 ₺ |
| 12 | 002 5000 026 | EA 50/260 PASLANMAZ KAMA | 330,10 ₺ |
| 13 | 002 5000 007 | NBR O'RING Ø255.00 x 4.00mm | 180,61 ₺ |
| 14 | 022 0000 015 | DOLDURMA VE TAHLİYE TAPASI | 90,25 ₺ |
| 15 | 002 6000 005 | PASLANMAZ SOMUN 28 x 1,5 | 19,34 \$ |

EA 80/260 SERİSİ

| NO | KOD | PARÇA ADI | LİSTE SATIŞ FİYATI |
|----|--------------|---|--------------------|
| 1 | 002 7000 013 | EA 80/260 SALYANGOZ GÖVDE (POMPA GÖVDESİ) | 19.215,50 ₺ |
| 2 | 002 7000 015 | EA 80/260 ARKA KAPAK (SALMASTRA GÖVDESİ) | 3.772,75 ₺ |
| 3 | 002 6000 014 | EA 80/260 ÖN KAPAK (POMPA FLANŞI) | 3.857,46 ₺ |
| 4 | 002 5100 016 | EA 80/260 RULMAN GÖVDESİ | 9.468,52 ₺ |
| 5 | 002 7000 011 | EA 80/260 PİK FAN (ÇARK) | 3.787,75 ₺ |
| | 002 7000 012 | EA 80/260 BRONZ FAN (ÇARK) | 32.044,46 ₺ |
| 6 | 002 6000 001 | EA 80/260 POMPA ŞAFTI | 142,31 \$ |
| 7 | 002 6000 006 | EA 80/260 POMPA AYAĞI | 193,39 ₺ |
| 8 | 002 6000 002 | ETN 65-80-100/26+50-65-80/32 MEKANİK SAL. | 16,27 \$ |
| 9 | 002 6000 004 | RULMAN 6307 | 896,42 ₺ |
| 10 | | EMNİYET SEGMANI | 51,57 ₺ |
| 11 | 002 5000 010 | 35X80X10 KEÇE | 247,06 ₺ |
| 12 | 002 5000 026 | EA 50/260 PASLANMAZ KAMA | 330,10 ₺ |
| 13 | 002 5000 007 | NBR O'RING Ø255.00 x 4.00mm | 117,15 ₺ |
| 14 | 022 0000 015 | DOLDURMA VE TAHLİYE TAPASI | 90,25 ₺ |
| 15 | 002 6000 005 | PASLANMAZ SOMUN 28 x 1,5 | 19,34 \$ |

EA 80/315 SERİSİ

| NO | KOD | PARÇA ADI | LİSTE SATIŞ FİYATI |
|----|--------------|---|--------------------|
| 1 | 002 7100 013 | EA 80/315 SALYANGOZ GÖVDE (POMPA GÖVDESİ) | 28.411,10 ₺ |
| 2 | 002 7100 015 | EA 80/315 ARKA KAPAK (SALMASTRA GÖVDESİ) | 5.040,46 ₺ |
| 3 | 002 5100 014 | EA 80/315 ÖN KAPAK (POMPA FLANŞI) | 6.850,74 ₺ |
| 4 | 002 6100 016 | EA 80/315 RULMAN GÖVDESİ | 9.715,18 ₺ |
| 5 | 001 7100 011 | EA 80/315 PİK FAN (ÇARK) | 4.566,89 ₺ |
| | 002 7100 012 | EA 80/315 BRONZ FAN (ÇARK) | 42.949,42 ₺ |
| 6 | 002 6000 001 | EA 80/315 POMPA ŞAFTI | 142,31 \$ |
| 7 | 002 8000 006 | EA 80/315 POMPA AYAĞI | 223,47 ₺ |
| 8 | 002 8100 002 | ETN 65-80-100/26+50-65-80/32 MEKANİK SAL. | 20,67 \$ |
| 9 | 002 8100 004 | RULMAN 6309 | 1.517,41 ₺ |
| 10 | | EMNİYET SEGMANI | 51,57 ₺ |
| 11 | 002 5000 010 | 35X80X10 KEÇE | 247,06 ₺ |
| 12 | 002 5000 026 | EA 50/260 PASLANMAZ KAMA | 330,10 ₺ |
| 13 | 002 5000 007 | NBR O'RİNG Ø255.00 x 4.00mm | 180,61 ₺ |
| 14 | 022 0000 015 | DOLDURMA VE TAHLİYE TAPASI | 90,25 ₺ |
| 15 | 002 6000 005 | PASLANMAZ SOMUN 28 x 1,5 | 19,34 \$ |

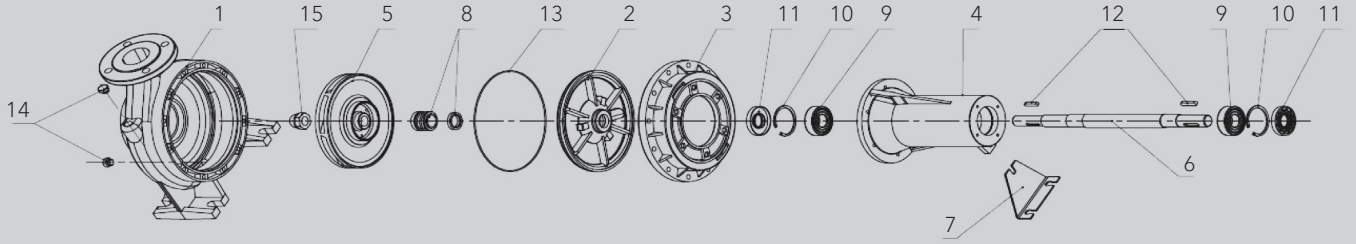
EA 100/260 SERİSİ

| NO | KOD | PARÇA ADI | LİSTE SATIŞ FİYATI |
|----|--------------|--|--------------------|
| 1 | 002 8000 013 | EA 100/260 SALYANGOZ GÖVDE (POMPA GÖVDESİ) | 24.644,13 ₺ |
| 2 | 002 8000 015 | EA 100/260 ARKA KAPAK (SALMASTRA GÖVDESİ) | 3.772,75 ₺ |
| 3 | 002 6000 014 | EA 100/260 ÖN KAPAK (POMPA FLANŞI) | 3.857,46 ₺ |
| 4 | 002 5100 016 | EA 100/260 RULMAN GÖVDESİ | 9.468,52 ₺ |
| 5 | 002 8000 011 | EA 100/260 PİK FAN (ÇARK) | 4.385,62 ₺ |
| | 002 8000 012 | EA 100/260 BRONZ FAN (ÇARK) | 38.275,87 ₺ |
| 6 | 002 6000 001 | EA 100/260 POMPA ŞAFTI | 142,31 \$ |
| 7 | 002 6000 006 | EA 100/260 POMPA AYAĞI | 193,39 ₺ |
| 8 | 002 6000 002 | ETN 65-80-100/26+50-65-80/32 MEKANİK SAL. | 16,27 \$ |
| 9 | 002 8100 004 | RULMAN 6309 | 1.517,41 ₺ |
| 10 | | EMNİYET SEGMANI | 51,57 ₺ |
| 11 | 002 6000 009 | 45X100X13 KEÇE | 310,45 ₺ |
| 12 | 002 5000 026 | EA 50/260 PASLANMAZ KAMA | 330,10 ₺ |
| 13 | 002 5000 007 | NBR O'RİNG Ø255.00 x 4.00mm | 117,15 ₺ |
| 14 | 022 0000 015 | DOLDURMA VE TAHLİYE TAPASI | 90,25 ₺ |
| 15 | 002 6000 005 | PASLANMAZ SOMUN 28 x 1,5 | 19,34 \$ |

EA 100/315 SERİSİ

| NO | KOD | PARÇA ADI | LİSTE SATIŞ FİYATI |
|----|--------------|--|--------------------|
| 1 | 002 8100 013 | EA 100/315 SALYANGOZ GÖVDE (POMPA GÖVDESİ) | 29.038,53 ₺ |
| 2 | 002 8100 015 | EA 100/315 ARKA KAPAK (SALMASTRA GÖVDESİ) | 5.040,46 ₺ |
| 3 | 002 5100 014 | EA 100/315 ÖN KAPAK (POMPA FLANŞI) | 6.850,74 ₺ |
| 4 | 002 6100 016 | EA 100/315 RULMAN GÖVDESİ | 9.715,18 ₺ |
| 5 | 002 8100 011 | EA 100/315 PİK FAN (ÇARK) | 6.039,31 ₺ |
| | 002 8100 012 | EA 100/315 BRONZ FAN (ÇARK) | 47.622,98 ₺ |
| 6 | 002 8100 001 | EA 100/315 POMPA ŞAFTI | 194,15 \$ |
| 7 | 002 8000 006 | EA 100/315 POMPA AYAĞI | 223,47 ₺ |
| 8 | 002 8100 002 | EA 100/315 MEKANİK SAL. | 20,67 \$ |
| 9 | 002 8100 004 | RULMAN 6309 | 1.517,41 ₺ |
| 10 | | EMNİYET SEGMANI | 51,57 ₺ |
| 11 | 002 6000 009 | 45X100X13 KEÇE | 310,45 ₺ |
| 12 | 002 5000 026 | EA 50/260 PASLANMAZ KAMA | 330,10 ₺ |
| 13 | 002 5000 007 | NBR O'RİNG Ø255.00 x 4.00mm | 180,61 ₺ |
| 14 | 022 0000 015 | DOLDURMA VE TAHLİYE TAPASI | 90,25 ₺ |
| 15 | 002 6000 005 | PASLANMAZ SOMUN 28 x 1,5 | 19,34 \$ |

EA SERİSİ UÇTAN EMİŞLİ POMPALAR MODEL LİSTESİ VE MALZEME TABLOSU



MODELLER

| |
|--------------|
| EA 32 / 26 |
| EA 40 / 26 |
| EA 50 / 26 |
| EA 50 / 315 |
| EA 65 / 260 |
| EA 65 / 315 |
| EA 80 / 260 |
| EA 80 / 315 |
| EA 100 / 260 |
| EA 100 / 315 |

| NO | PARÇ A DI | MALZEME | STANDARTLAR | |
|----|--------------------------|-----------------------------------|-------------------------------------|---------------|
| | | | AVRUPA | USA |
| 1 | POMPA GÖVDESİ | DÖKME DEMİR | EN 1561 - GJL - 2D0 (JL1030) | ASTM CLASS 25 |
| 2 | SALMASTRA GÖVDESİ | DÖKME DEMİR | EN 1561 - GJL - 2D0 (JL1030) | ASTM CLASS 25 |
| 3 | POMPA FLANŞI | DÖKME DEMİR | EN 1561 - GJL - 2D0 (JL1030) | ASTM CLASS 25 |
| 4 | RULMAN GÖVDESİ | DÖKME DEMİR | EN 1561 - GJL - 2D0 (JL1030) | ASTM CLASS 25 |
| 5 | ÇARK (DÖKÜM) | DÖKME DEMİR | EN 1561 - GJL - 2D0 (JL1030) | ASTM CLASS 25 |
| | ÇARK (BRONZ) | BRONZ | EN 1982 - CuSn10 - C (CC48DK) | UNS C90700 |
| 6 | ŞAFT | PASLANMAZ ÇELİK | EN 10D88-1 X2CrNiMo 17-12-2(1.44D4) | AISI 316L |
| 7 | POMPA AYAĞI | ÇELİK | EN 10D25:2:2006 - S235JR | A283C |
| 8 | MEKANİK SALMASTRA | SERAMİK / CARBON / NBR (STANDART) | | |
| 9 | RULMAN | ÇELİK | DIN 625, 6300 SERİSİ | |
| 10 | EMNİYET SEGMANI | YAY ÇELİĞİ C6D-C65 | DIN 472 | |
| 11 | YAĞ KEÇESİ | NBR (STANDART) | | |
| 12 | KAMA | PASLANMAZ ÇELİK | RS304 | |
| 13 | O-RİNG | NBR (STANDART) | | |
| 14 | DOL. VE TAHLİYE TAPALARI | NİKEL KAPLAMALI PİRİNÇ (STANDART) | MS 53 | |
| 15 | ŞAFT SOMUNU | PASLANMAZ ÇELİK | EN 10088-1 x2CrNiMo 17-12-2(1.44D4) | AISI 316L |

EA 32/20 SERİSİ

| NO | KOD | PARÇA ADI | LİSTE SATIŞ FİYATI |
|----|--------------|------------------------------------|--------------------|
| 1 | 002 2900 013 | EA 32/20 SALYANGOZ GÖVDE | 7.900,54 ₺ |
| 2 | 002 2900 015 | EA 32-40-50-65/20 ARKA KAPAK | 2.180,53 ₺ |
| 3 | 002 2900 014 | EA 32-40-50-65/20 ÖN KAPAK | 2.040,76 ₺ |
| 4 | 002 5000 016 | EA 50/260 RULMAN GÖVDESİ | 3.725,53 ₺ |
| 5 | 002 2900 011 | EA 32/20 POMPA FANI | 1.456,00 ₺ |
| | | EA 32/20 POMPA BRONZ FANI | 10.910,55 ₺ |
| 6 | 002 2900 001 | EA 32-40-50-65/20 POMPA ŞAFTI | 87,09 \$ |
| 7 | 002 5000 006 | EA 50-65-80/26 ÖN AYAK | 289,56 ₺ |
| 8 | 051 0000 003 | MEKANİK SALMASTRA EIL/EA 50/26 Q28 | 7,17 \$ |
| 9 | 002 5000 003 | RULMAN 6305 | 367,40 ₺ |
| | 002 5000 004 | RULMAN 6306 | 502,29 ₺ |
| 10 | | EMNİYET SEGMANI | 37,82 ₺ |
| 11 | 002 5000 008 | 30X72X10 KEÇE | 113,11 ₺ |
| | 002 5000 009 | 25X62X8 KEÇE | 116,23 ₺ |
| 12 | 002 5000 026 | PAZLANMAZ KAMA | 242,07 ₺ |
| 13 | 051 0310 005 | O-RİNG 205*4 | 64,36 ₺ |
| 14 | 022 0000 015 | DOLDURMA VE TAHLİYE TAPASI | 66,18 ₺ |
| 15 | 002 5000 005 | PASLANMAZ SOMUN M16X1,5 | 8,13 \$ |

EA 40/20 SERİSİ

| NO | KOD | PARÇA ADI | LİSTE SATIŞ FİYATI |
|----|--------------|------------------------------------|--------------------|
| 1 | 002 3900 013 | EA 40/20 SALYANGOZ GÖVDE | 8.162,12 ₺ |
| 2 | 002 2900 015 | EA 32-40-50-65/20 ARKA KAPAK | 2.180,53 ₺ |
| 3 | 002 2900 014 | EA 32-40-50-65/20 ÖN KAPAK | 2.040,76 ₺ |
| 4 | 002 5000 016 | EA 50/260 RULMAN GÖVDESİ | 3.725,53 ₺ |
| 5 | 002 3900 011 | EA 40/20 POMPA FANI | 1.456,00 ₺ |
| | | EA 40/20 POMPA BRONZ FANI | 10.910,55 ₺ |
| 6 | 002 2900 001 | EA 32-40-50-65/20 POMPA ŞAFTI | 87,09 \$ |
| 7 | 002 5000 006 | EA 50-65-80/26 ÖN AYAK | 289,56 ₺ |
| 8 | 051 0000 003 | MEKANİK SALMASTRA EIL/EA 50/26 Q28 | 7,17 \$ |
| 9 | 002 5000 003 | RULMAN 6305 | 367,40 ₺ |
| | 002 5000 004 | RULMAN 6306 | 502,29 ₺ |
| 10 | | EMNİYET SEGMANI | 37,82 ₺ |
| 11 | 002 5000 008 | 30X72X10 KEÇE | 113,11 ₺ |
| | 002 5000 009 | 25X62X8 KEÇE | 116,23 ₺ |
| 12 | 002 5000 026 | PASLANMAZ KAMA | 242,07 ₺ |
| 13 | 051 0310 005 | O-RİNG 205*4 | 64,36 ₺ |
| 14 | 022 0000 015 | DOLDURMA VE TAHLİYE TAPASI | 66,18 ₺ |
| 15 | 002 5000 005 | PASLANMAZ SOMUN M16X1,5 | 8,13 \$ |

EA 50/20 SERİSİ

| NO | KOD | PARÇA ADI | LİSTE SATIŞ FİYATI |
|----|--------------|------------------------------------|--------------------|
| 1 | 002 4900 013 | EA 50/20 SALYANGOZ GÖVDE | 8.762,12 ₺ |
| 2 | 002 2900 015 | EA 32-40-50-65/20 ARKA KAPAK | 2.180,53 ₺ |
| 3 | 002 2900 014 | EA 32-40-50-65/20 ÖN KAPAK | 2.040,76 ₺ |
| 4 | 002 5000 016 | EA 50/260 RULMAN GÖVDESİ | 3.725,53 ₺ |
| 5 | 002 4900 011 | EA 50/20 POMPA FANI | 1.456,00 ₺ |
| | | EA 50/20 POMPA BRONZ FANI | 10.910,55 ₺ |
| 6 | 002 2900 001 | EA 32-40-50-65/20 POMPA ŞAFTI | 87,09 \$ |
| 7 | 002 5000 006 | EA 50-65-80/26 ÖN AYAK | 289,56 ₺ |
| 8 | 051 0000 003 | MEKANİK SALMASTRA EIL/EA 50/26 Q28 | 7,17 \$ |
| 9 | 002 5000 003 | RULMAN 6305 | 367,40 ₺ |
| | 002 5000 004 | RULMAN 6306 | 502,29 ₺ |
| 10 | | EMNİYET SEGMANI | 37,82 ₺ |
| 11 | 002 5000 008 | 30X72X10 KEÇE | 113,11 ₺ |
| | 002 5000 009 | 25X62X8 KEÇE | 116,23 ₺ |
| 12 | 002 5000 026 | PAZLANMAZ KAMA | 242,07 ₺ |
| 13 | 051 0310 005 | O-RİNG 205*4 | 64,36 ₺ |
| 14 | 022 0000 015 | DOLDURMA VE TAHLİYE TAPASI | 66,18 ₺ |
| 15 | 002 5000 005 | PASLANMAZ SOMUN M16X1,5 | 8,13 \$ |

EA 65/20 SERİSİ

| NO | KOD | PARÇA ADI | LİSTE SATIŞ FİYATI |
|----|--------------|------------------------------------|--------------------|
| 1 | 002 5900 013 | EA 65/20 SALYANGOZ GÖVDE | 10.142,97 ₺ |
| 2 | 002 2900 015 | EA 32-40-50-65/20 ARKA KAPAK | 2.180,53 ₺ |
| 3 | 002 2900 014 | EA 32-40-50-65/20 ÖN KAPAK | 2.040,76 ₺ |
| 4 | 002 5000 016 | EA 50/260 RULMAN GÖVDESİ | 3.725,53 ₺ |
| 5 | 002 5900 011 | EA 65/20 POMPA FANI | 1.692,36 ₺ |
| | | EA 65/20 POMPA BRONZ FANI | 13.195,39 ₺ |
| 6 | 002 2900 001 | EA 32-40-50-65/20 POMPA ŞAFTI | 87,09 \$ |
| 7 | 002 5000 006 | EA 50-65-80/26 ÖN AYAK | 289,56 ₺ |
| 8 | 051 0000 003 | MEKANİK SALMASTRA EIL/EA 50/26 Q28 | 7,17 \$ |
| 9 | 002 5000 003 | RULMAN 6305 | 367,40 ₺ |
| | 002 5000 004 | RULMAN 6306 | 502,29 ₺ |
| 10 | | EMNİYET SEGMANI | 37,82 ₺ |
| 11 | 002 5000 008 | 30X72X10 KEÇE | 113,11 ₺ |
| | 002 5000 009 | 25X62X8 KEÇE | 116,23 ₺ |
| 12 | 002 5000 026 | PAZLANMAZ KAMA | 242,07 ₺ |
| 13 | 051 0310 005 | O-RİNG | 64,36 ₺ |
| 14 | 022 0000 015 | DOLDURMA VE TAHLİYE TAPASI | 66,18 ₺ |
| 15 | 002 5000 005 | PASLANMAZ SOMUN M16X1,5 | 8,13 \$ |

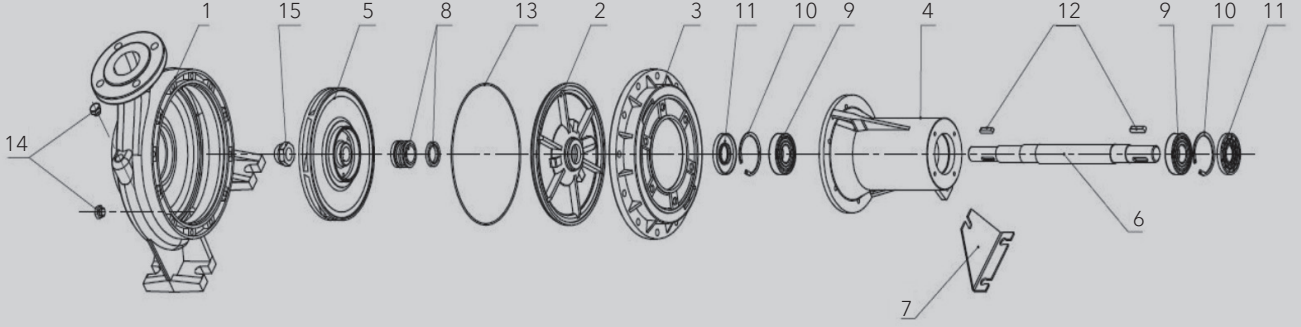
EA 80/20 SERİSİ

| NO | KOD | PARÇA ADI | LİSTE SATIŞ FİYATI |
|----|--------------|---|--------------------|
| 1 | 002 6900 013 | EA 80/20 SALYANGOZ GÖVDE | 12.519,62 ₺ |
| 2 | 002 7900 015 | EA 80-100/20 ARKA KAPAK | 2.180,53 ₺ |
| 3 | 002 7900 014 | EA 80-100/20 ÖN KAPAK | 2.528,93 ₺ |
| 4 | 002 6000 016 | EA 65/260 RULMAN GÖVDESİ | 6.943,58 ₺ |
| 5 | 0026900011 | EA 80/20 POMPA FANI | 1.928,73 ₺ |
| | | EA 80/20 POMPA BRONZ FANI | 15.480,24 ₺ |
| 6 | 002 6900 001 | EA 80-100/20 POMPA ŞAFTI | 110,04 \$ |
| 7 | 002 6000 006 | EA 65/260 POMPA AYAĞI | 342,73 ₺ |
| 8 | 002 6000 002 | ETN 65-80-100/26+50-65-80/32 MEKANİK SAL. | 11,61 \$ |
| 9 | 002 6000 004 | RULMAN 6307 | 657,37 ₺ |
| 10 | | EMNİYET SEGMANI | 37,82 ₺ |
| 11 | 002 5000 010 | 35X80X10 KEÇE | 181,18 ₺ |
| 12 | 002 5000 026 | PAZLANMAZ KAMA | 242,07 ₺ |
| 13 | 051 0310 005 | O-RİNG 205*4 | 64,36 ₺ |
| 14 | 022 0000 015 | DOLDURMA VE TAHLİYE TAPASI | 66,18 ₺ |
| 15 | 002 6000 005 | PASLANMAZ SOMUN 28*1,5 | 14,18 \$ |

EA 100/20 SERİSİ

| NO | KOD | PARÇA ADI | LİSTE SATIŞ FİYATI |
|----|--------------|---|--------------------|
| 1 | 002 7900 013 | EA 100/20 SALYANGOZ GÖVDE | 15.645,42 ₺ |
| 2 | 002 7900 015 | EA 80-100/20 ARKA KAPAK | 2.180,53 ₺ |
| 3 | 002 7900 014 | EA 80-100/20 ÖN KAPAK | 2.528,93 ₺ |
| 4 | 002 6000 016 | EA 65/260 RULMAN GÖVDESİ | 6.943,58 ₺ |
| 5 | 002 7900 011 | EA 100/20 POMPA FANI | 2.165,09 ₺ |
| | | EA 100/20 POMPA BRONZ FANI | 17.765,09 ₺ |
| 6 | 002 6900 001 | EA 80-100/20 POMPA ŞAFTI | 110,04 \$ |
| 7 | 002 6000 006 | EA 65/260 POMPA AYAĞI | 342,73 ₺ |
| 8 | 002 6000 002 | ETN 65-80-100/26+50-65-80/32 MEKANİK SAL. | 11,61 \$ |
| 9 | 002 6000 004 | RULMAN 6307 | 657,37 ₺ |
| 10 | | EMNİYET SEGMANI | 37,82 ₺ |
| 11 | 002 5000 010 | 35X80X10 KEÇE | 181,18 ₺ |
| 12 | 002 5000 026 | PAZLANMAZ KAMA | 242,07 ₺ |
| 13 | 051 0310 005 | O-RİNG 205*4 | 64,36 ₺ |
| 14 | 022 0000 015 | DOLDURMA VE TAHLİYE TAPASI | 66,18 ₺ |
| 15 | 002 6000 005 | PASLANMAZ SOMUN 28*1,5 | 14,18 \$ |

EA SERİSİ UÇTAN EMİŞLİ POMPALAR MODEL LİSTESİ VE MALZEME TABLOSU



MODELLER

| |
|-------------|
| EA 32 / 20 |
| EA 40 / 20 |
| EA 50 / 20 |
| EA 65 / 20 |
| EA 80 / 20 |
| EA 100 / 20 |

| NO | PARÇA ADI | MALZEME | STANDARTLAR | |
|----|--------------------------|-----------------------------------|-------------------------------------|---------------|
| | | | AVRUPA | USA |
| 1 | POMPA GÖVDESİ | DÖKME DEMİR | EN 1561 - GJL - 2D0 (JL1030) | ASTM CLASS 25 |
| 2 | SALMASTRA GÖVDESİ | DÖKME DEMİR | EN 1561 - GJL - 2D0 (JL1030) | ASTM CLASS 25 |
| 3 | POMPA FLANŞI | DÖKME DEMİR | EN 1561 - GJL - 2D0 (JL1030) | ASTM CLASS 25 |
| 4 | RULMAN GÖVDESİ | DÖKME DEMİR | EN 1561 - GJL - 2D0 (JL1030) | ASTM CLASS 25 |
| 5 | ÇARK (DÖKÜM) | DÖKME DEMİR | EN 1561 - GJL - 2D0 (JL1030) | ASTM CLASS 25 |
| | ÇARK (BRONZ) | BRONZ | EN 1982 - CuSn10 - C (CC48DK) | UNS C90700 |
| 6 | ŞAFT | PASLANMAZ ÇELİK | EN 10D88-1 X2CrNiMo 17-12-2(1.44D4) | AISI 316L |
| 7 | POMPA AYAĞI | ÇELİK | EN 10D25:2:2006 - S235JR | A283C |
| 8 | MEKANİK SALMASTRA | SERAMİK / CARBON / NBR (STANDART) | | |
| 9 | RULMAN | ÇELİK | DIN 625, 6300 SERİSİ | |
| 10 | EMNİYET SEGMANI | YAY ÇELİĞİ C6D-C65 | DIN 472 | |
| 11 | YAĞ KEÇESİ | NBR (STANDART) | | |
| 12 | KAMA | PASLANMAZ ÇELİK | RS304 | |
| 13 | O-RİNG | NBR (STANDART) | | |
| 14 | DOL. VE TAHLİYE TAPALARI | NİKEL KAPLAMALI PİRİNÇ (STANDART) | MS 53 | |
| 15 | ŞAFT SOMUNU | PASLANMAZ ÇELİK | EN 10088-1 X2CrNiMo 17-12-2(1.44D4) | AISI 316L |

EILR 40/125 SERİSİ

| NO | KOD | PARÇA ADI | LİSTE SATIŞ FİYATI |
|----|------------|------------------------------------|--------------------|
| 1 | 0512110001 | EIL 40/125 POMPA GÖVDESİ (YN) | 5.759,84 ₺ |
| 2 | 0512110002 | EIL 40/125 POMPA FANI (YN) | 1.178,04 ₺ |
| 3 | 0510110003 | SG 125 KOMPAKT (YN) | 1.188,06 ₺ |
| 4 | 0510110004 | PF 125 (YN) | 1.599,66 ₺ |
| 5 | 0512200005 | MF 125-80/90 | 1.634,88 ₺ |
| 6 | 0510000001 | MEKANİK SALMASTRA EIL Q22 | 6,91 \$ |
| 7 | | ÇARK KİLİT SOMUNU, RONDELA VE KAMA | 173,33 ₺ |
| 8 | 0511250071 | EILR 125/71 YN ŞAFT 2020 | 42,85 \$ |
| | 0511125080 | EILR 125/80 YN ŞAFT 2020 | 53,10 \$ |
| | 0511160090 | EILR 160/90 YN ŞAFT 2020 | 69,25 \$ |
| 9 | 0510000004 | EIL PURJÖR VE TAPASI | 184,36 ₺ |
| 10 | 0510000005 | PASLANMAZ SOMUN M 12X1,25 | 4,92 \$ |
| | 0025000005 | PASLANMAZ SOMUN M16X1,5 | 8,13 \$ |
| | 0510000006 | PASLANMAZ SOMUN M 20 X1,5 | 10,72 \$ |
| 11 | 0220000015 | HUNİ TAPASI 3/8 (KÖR TAPA) | 66,18 ₺ |
| 12 | 0510110005 | Ø150.00 x 4.00 mm NBR O'RING | 34,96 ₺ |

EILR 50/125 SERİSİ

| NO | KOD | PARÇA ADI | LİSTE SATIŞ FİYATI |
|----|------------|------------------------------------|--------------------|
| 1 | 0513110001 | EIL 50-125 POMPA GÖVDESİ (YN) | 6.544,57 ₺ |
| 2 | 0513110002 | EIL 50-125 POMPA FANI (YN) | 1.178,04 ₺ |
| 3 | 0510110003 | SG 125 KOMPAKT (YN) | 1.188,06 ₺ |
| 4 | 0510110004 | PF 125 (YN) | 1.599,66 ₺ |
| 5 | 0513200005 | MF 125-100/112 | 1.881,87 ₺ |
| | 0512200005 | MF 125-80/90 | 1.634,88 ₺ |
| 6 | 0510000001 | MEKANİK SALMASTRA EIL Q22 | 6,91 \$ |
| 7 | | ÇARK KİLİT SOMUNU, RONDELA VE KAMA | 173,33 ₺ |
| 8 | 0511250071 | EILR 125/71 YN ŞAFT 2020 | 42,85 \$ |
| | 0511125080 | EILR 125/80 YN ŞAFT 2020 | 53,10 \$ |
| | 0511160090 | EILR 160/90 YN ŞAFT 2020 | 69,25 \$ |
| | 0511160100 | EILR 160/100 YN ŞAFT 2020 | 72,80 \$ |
| 9 | 0510000004 | EIL PURJÖR VE TAPASI | 184,36 ₺ |
| 10 | 0510000005 | PASLANMAZ SOMUN M 12X1,25 | 4,92 \$ |
| | 0025000005 | PASLANMAZ SOMUN M16X1,5 | 8,13 \$ |
| | 0510000006 | PASLANMAZ SOMUN M 20 X1,5 | 10,72 \$ |
| 11 | 0220000015 | HUNİ TAPASI 3/8 (KÖR TAPA) | 66,18 ₺ |
| 12 | 0510110005 | Ø150.00 x 4.00 mm NBR O'RING | 34,96 ₺ |

KURU ROTORLU SİRKÜLASYON POMPASI

EILR 65/125 SERİSİ

| NO | KOD | PARÇA ADI | LİSTE SATIŞ FİYATI |
|----|------------|------------------------------------|--------------------|
| 1 | 0514110001 | EIL 65/125 POMPA GÖVDESİ (YN) | 7.329,29 ₺ |
| 2 | 0514110002 | EIL 65/125 POMPA FANI (YN) | 1.334,98 ₺ |
| 3 | 0510110003 | SG 125 KOMPAKT (YN) | 1.188,06 ₺ |
| 4 | 0510110004 | PF 125 (YN) | 1.599,66 ₺ |
| 5 | 0513200005 | MF 125-100/112 | 1.881,87 ₺ |
| | 0512200005 | MF 125-80/90 | 1.634,88 ₺ |
| 6 | 0510000001 | MEKANİK SALMASTRA EIL Q22 | 6,91 \$ |
| 7 | | ÇARK KİLİT SOMUNU, RONDELA VE KAMA | 173,33 ₺ |
| 8 | 0511250071 | EILR 125/71 YN ŞAFT 2020 | 42,85 \$ |
| | 0511125080 | EILR 125/80 YN ŞAFT 2020 | 53,10 \$ |
| | 0511160090 | EILR 160/90 YN ŞAFT 2020 | 69,25 \$ |
| | 0511160100 | EILR 160/100 YN ŞAFT 2020 | 72,80 \$ |
| 9 | 0510000004 | EIL PURJÖR VE TAPASI | 184,36 ₺ |
| 10 | 0510000005 | PASLANMAZ SOMUN M 12X1,25 | 4,92 \$ |
| | 0025000005 | PASLANMAZ SOMUN M16X1,5 | 8,13 \$ |
| | 0510000006 | PASLANMAZ SOMUN M 20 X1,5 | 10,72 \$ |
| 11 | 0220000015 | HUNİ TAPASI 3/8 (KÖR TAPA) | 66,18 ₺ |
| 12 | 0510110005 | Ø150.00 x 4.00 mm NBR O'RING | 34,96 ₺ |

EILR 40/160 SERİSİ

| NO | KOD | PARÇA ADI | LİSTE SATIŞ FİYATI |
|----|------------|------------------------------------|--------------------|
| 1 | 0512210001 | EIL 40/160 POMPA GÖVDESİ (YN) | 6.103,35 ₺ |
| 2 | 0512210002 | EIL 40/160 POMPA FANI (YN) | 1.219,64 ₺ |
| 3 | 0510210003 | SG 160 (YN) | 1.377,78 ₺ |
| 4 | 0513200004 | PF 100/112 | 1.697,82 ₺ |
| | 0512200004 | PF 80/90 | 1.858,86 ₺ |
| 5 | 0513200005 | MF 125-100/112 | 1.881,87 ₺ |
| | 0512200005 | MF 125-80/90 | 1.634,88 ₺ |
| 6 | 0510000001 | MEKANİK SALMASTRA EIL Q22 | 6,91 \$ |
| 7 | | ÇARK KİLİT SOMUNU, RONDELA VE KAMA | 173,33 ₺ |
| 8 | 0511250071 | EILR 125/71 YN ŞAFT 2020 | 42,85 \$ |
| | 0511125080 | EILR 125/80 YN ŞAFT 2020 | 53,10 \$ |
| | 0511160090 | EILR 160/90 YN ŞAFT 2020 | 69,25 \$ |
| | 0511160100 | EILR 160/100 YN ŞAFT 2020 | 72,80 \$ |
| 9 | 0510000004 | EIL PURJÖR VE TAPASI | 184,36 ₺ |
| 10 | 0510000005 | PASLANMAZ SOMUN M 12X1,25 | 4,92 \$ |
| | 0025000005 | PASLANMAZ SOMUN M16X1,5 | 8,13 \$ |
| | 0510000006 | PASLANMAZ SOMUN M 20 X1,5 | 10,72 \$ |
| 11 | 0220000015 | HUNİ TAPASI 3/8 (KÖR TAPA) | 66,18 ₺ |
| 12 | 0510210004 | Ø165.00 x 4.00 mm NBR O'RING | 45,33 ₺ |

EILR 50/160 SERİSİ

| NO | KOD | PARÇA ADI | LİSTE SATIŞ FİYATI |
|----|------------|------------------------------------|--------------------|
| 1 | 0513210001 | EIL 50/160 POMPA GÖVDESİ (YN) | 7.023,60 ₺ |
| 2 | 0513210002 | EIL 50/160 POMPA FANI | 1.456,00 ₺ |
| 3 | 0510210003 | SG 160 (YN) | 1.377,78 ₺ |
| 4 | 0513200004 | PF 100/112 | 1.697,82 ₺ |
| | 0512200004 | PF 80/90 | 1.858,86 ₺ |
| 5 | 0513200005 | MF 125-100/112 | 1.881,87 ₺ |
| | 0512200005 | MF 125-80/90 | 1.634,88 ₺ |
| 6 | 0510000001 | MEKANİK SALMASTRA EIL Q22 | 6,91 \$ |
| 7 | | ÇARK KİLİT SOMUNU, RONDELA VE KAMA | 173,33 ₺ |
| 8 | 0511250071 | EILR 125/71 YN ŞAFT 2020 | 42,85 \$ |
| | 0511125080 | EILR 125/80 YN ŞAFT 2020 | 53,10 \$ |
| | 0511160090 | EILR 160/90 YN ŞAFT 2020 | 69,25 \$ |
| | 0511160100 | EILR 160/100 YN ŞAFT 2020 | 72,80 \$ |
| 9 | 0510000004 | EIL PURJÖR VE TAPASI | 184,36 ₺ |
| 10 | 0510000005 | PASLANMAZ SOMUN M 12X1,25 | 4,92 \$ |
| | 0025000005 | PASLANMAZ SOMUN M16X1,5 | 8,13 \$ |
| | 0510000006 | PASLANMAZ SOMUN M 20 X1,5 | 10,72 \$ |
| 11 | 0220000015 | HUNİ TAPASI 3/8 (KÖR TAPA) | 66,18 ₺ |
| 12 | 0510210004 | Ø165.00 x 4.00 mm NBR O'RING | 45,33 ₺ |

EILR 65/160 SERİSİ

| NO | KOD | PARÇA ADI | LİSTE SATIŞ FİYATI |
|----|------------|------------------------------------|--------------------|
| 1 | 0514210001 | EIL 65/160 POMPA GÖVDESİ (YN) | 7.713,78 ₺ |
| 2 | 0514210002 | EIL 65/160 FAN (YN) | 1.297,16 ₺ |
| 3 | 0510210003 | SG 160 (YN) | 1.377,78 ₺ |
| 4 | 0513200004 | PF 100/112 | 1.697,82 ₺ |
| | 0512200004 | PF 80/90 | 1.858,86 ₺ |
| 5 | 0513200005 | MF 125-100/112 | 1.881,87 ₺ |
| | 0512200005 | MF 125-80/90 | 1.634,88 ₺ |
| | 0512400005 | MF 132 | 2.594,77 ₺ |
| 6 | 0510000001 | MEKANİK SALMASTRA EIL Q22 | 6,91 \$ |
| 7 | | ÇARK KİLİT SOMUNU, RONDELA VE KAMA | 173,33 ₺ |
| 8 | 0511250071 | EILR 125/71 YN ŞAFT 2020 | 42,85 \$ |
| | 0511125080 | EILR 125/80 YN ŞAFT 2020 | 53,10 \$ |
| | 0511160090 | EILR 160/90 YN ŞAFT 2020 | 69,25 \$ |
| | 0511160100 | EILR 160/100 YN ŞAFT 2020 | 72,80 \$ |
| | 0511160133 | EILR 160/132B YN ŞAFT 2020 | 131,89 \$ |
| 9 | 0510000004 | EIL PURJÖR VE TAPASI | 184,36 ₺ |
| 10 | 0510000005 | PASLANMAZ SOMUN M 12X1,25 | 4,92 \$ |
| | 0025000005 | PASLANMAZ SOMUN M16X1,5 | 8,13 \$ |
| | 0510000006 | PASLANMAZ SOMUN M 20 X1,5 | 10,72 \$ |
| 11 | 0220000015 | HUNİ TAPASI 3/8 (KÖR TAPA) | 66,18 ₺ |
| 12 | 0510210004 | Ø165.00 x 4.00 mm NBR O'RING | 45,33 ₺ |

KURU ROTORLU SİRKÜLASYON POMPASI

EILR 80/160 SERİSİ

| NO | KOD | PARÇA ADI | LİSTE SATIŞ FİYATI |
|----|------------|------------------------------------|--------------------|
| 1 | 0515210001 | EIL 80/160 POMPA GÖVDESİ (YN) | 9.094,14 ₺ |
| 2 | 0515200002 | EIL 80/160 FAN (YN) | 1.530,22 ₺ |
| 3 | 0510210003 | SG 160 (YN) | 1.377,78 ₺ |
| 4 | 0513200004 | PF 100/112 | 1.697,82 ₺ |
| | 0512200004 | PF 80/90 | 1.858,86 ₺ |
| 5 | 0513200005 | MF 125-100/112 | 1.881,87 ₺ |
| | 0512200005 | MF 125-80/90 | 1.634,88 ₺ |
| | 0513400005 | MF 160/180-100 | 3.795,85 ₺ |
| 6 | 0510000001 | MEKANİK SALMASTRA EIL Q22 | 6,91 \$ |
| | 0510000003 | MEKANİK SALMASTRA EIL/EA 50/26 Q28 | 7,17 \$ |
| 7 | | ÇARK KİLİT SOMUNU, RONDELA VE KAMA | 173,33 ₺ |
| 8 | 0511250082 | EILR 250/80-B YN ŞAFT 2020 | 53,57 \$ |
| | 0511250091 | EILR 250/90-B YN ŞAFT 2020 | 69,79 \$ |
| | 0511250102 | EILR 250/100L YN ŞAFT 2020 | 73,63 \$ |
| | 0511160134 | EILR 160/132L YN ŞAFT 2020 | 133,11 \$ |
| | 0511250162 | EILR 250/160B YN ŞAFT 2020 | 167,26 \$ |
| 9 | 0510000004 | EIL PURJÖR VE TAPASI | 184,36 ₺ |
| 10 | 0510000005 | PASLANMAZ SOMUN M 12X1,25 | 4,92 \$ |
| | 0025000005 | PASLANMAZ SOMUN M16X1,5 | 8,13 \$ |
| | 0510000006 | PASLANMAZ SOMUN M 20 X1,5 | 10,72 \$ |
| 11 | 0220000015 | HUNİ TAPASI 3/8 (KÖR TAPA) | 66,18 ₺ |
| 12 | 0510210004 | Ø165.00 x 4.00 mm NBR O'RİNG | 45,33 ₺ |

EILR 100/160 SERİSİ

| NO | KOD | PARÇA ADI | LİSTE SATIŞ FİYATI |
|----|------------|------------------------------------|--------------------|
| 1 | 0516210001 | EIL 100/160 POMPA GÖVDESİ (YN) | 10.934,63 ₺ |
| 2 | 0516210002 | EIL 100/160 FAN (YN) | 1.691,89 ₺ |
| 3 | 0510210003 | SG 160 (YN) | 1.377,78 ₺ |
| 4 | 0513200004 | PF 100/112 | 1.697,82 ₺ |
| | 0512200004 | PF 80/90 | 1.858,86 ₺ |
| 5 | 0513200005 | MF 125-100/112 | 1.881,87 ₺ |
| | 0512200005 | MF 125-80/90 | 1.634,88 ₺ |
| | 0513400005 | MF 160/180-100 | 3.795,85 ₺ |
| 6 | 0510000003 | MEKANİK SALMASTRA EIL/EA 50/26 Q28 | 7,17 \$ |
| 7 | | ÇARK KİLİT SOMUNU, RONDELA VE KAMA | 173,33 ₺ |
| 8 | 0511250091 | EILR 250/90-B YN ŞAFT 2020 | 69,79 \$ |
| | 0511250102 | EILR 250/100L YN ŞAFT 2020 | 73,63 \$ |
| | 0511160134 | EILR 160/132L YN ŞAFT 2020 | 133,11 \$ |
| | 0511250162 | EILR 250/160B YN ŞAFT 2020 | 167,26 \$ |
| 9 | 0510000004 | EIL PURJÖR VE TAPASI | 184,36 ₺ |
| 10 | 0510000005 | PASLANMAZ SOMUN M 12X1,25 | 4,92 \$ |
| | 0025000005 | PASLANMAZ SOMUN M16X1,5 | 8,13 \$ |
| | 0510000006 | PASLANMAZ SOMUN M 20 X1,5 | 10,72 \$ |
| 11 | 0220000015 | HUNİ TAPASI 3/8 (KÖR TAPA) | 66,18 ₺ |
| 12 | 0510210004 | Ø165.00 x 4.00 mm NBR O'RİNG | 45,33 ₺ |

EILR 40/200 SERİSİ

| NO | KOD | PARÇA ADI | LİSTE SATIŞ FİYATI |
|----|------------|------------------------------------|--------------------|
| 1 | 0512310001 | EIL 40/200 POMPA GÖVDESİ (YN) | 6.333,41 ₺ |
| 2 | 0512310002 | EIL 40/200 POMPA FANI (YN) | 1.456,00 ₺ |
| 3 | 0510310003 | SG 200 (YN) | 1.642,54 ₺ |
| 4 | 0510310004 | PF 200 | 1.948,53 ₺ |
| 5 | 0512210005 | MF 80/90 MOTOR FLANŞI | 1.725,80 ₺ |
| | 0512300005 | MF 100/112 | 1.996,90 ₺ |
| 6 | 0510000003 | MEKANİK SALMASTRA EIL/EA 50/26 Q28 | 7,17 \$ |
| 7 | | ÇARK KİLİT SOMUNU, RONDELA VE KAMA | 173,33 ₺ |
| 8 | 0511125080 | EILR 125/80 YN ŞAFT 2020 | 53,10 \$ |
| | 0511160090 | EILR 160/90 YN ŞAFT 2020 | 69,25 \$ |
| | 0511160100 | EILR 160/100 YN ŞAFT 2020 | 72,80 \$ |
| 9 | 0510000004 | EIL PURJÖR VE TAPASI | 184,36 ₺ |
| 10 | 0510000005 | PASLANMAZ SOMUN M 12X1,25 | 4,92 \$ |
| | 0025000005 | PASLANMAZ SOMUN M16X1,5 | 8,13 \$ |
| | 0510000006 | PASLANMAZ SOMUN M 20 X1,5 | 10,72 \$ |
| 11 | 0220000015 | HUNİ TAPASI 3/8 (KÖR TAPA) | 66,18 ₺ |
| 12 | 0510310005 | Ø205.00 x 4.00 mm NBR O'RING | 64,36 ₺ |

EILR 50/200 SERİSİ

| NO | KOD | PARÇA ADI | LİSTE SATIŞ FİYATI |
|----|------------|------------------------------------|--------------------|
| 1 | 0513310001 | EIL 50/200 POMPA GÖVDESİ (YN) | 7.023,60 ₺ |
| 2 | 0513310002 | EIL 50/200 POMPA FANI (YN) | 1.456,00 ₺ |
| 3 | 0510310003 | SG 200 (YN) | 1.642,54 ₺ |
| 4 | 0510310004 | PF 200 | 1.948,53 ₺ |
| 5 | 0512210005 | MF 80/90 MOTOR FLANŞI | 1.725,80 ₺ |
| | 0512400005 | MF 132 | 2.594,77 ₺ |
| 6 | 0510000003 | MEKANİK SALMASTRA EIL/EA 50/26 Q28 | 7,17 \$ |
| 7 | | ÇARK KİLİT SOMUNU, RONDELA VE KAMA | 173,33 ₺ |
| 8 | 0511250080 | EILR 250/80 YN ŞAFT 2020 | 53,38 \$ |
| | 0511250092 | EILR 250/90-L YN ŞAFT 2020 | 69,61 \$ |
| | 0511250101 | EILR 250/100B YN ŞAFT 2020 | 73,40 \$ |
| | 0511250134 | EILR 250/132-L YN ŞAFT 2020 | 136,49 \$ |
| 9 | 0510000004 | EIL PURJÖR VE TAPASI | 184,36 ₺ |
| 10 | 0510000005 | PASLANMAZ SOMUN M 12X1,25 | 4,92 \$ |
| | 0025000005 | PASLANMAZ SOMUN M16X1,5 | 8,13 \$ |
| | 0510000006 | PASLANMAZ SOMUN M 20 X1,5 | 10,72 \$ |
| 11 | 0220000015 | HUNİ TAPASI 3/8 (KÖR TAPA) | 66,18 ₺ |
| 12 | 0510310005 | Ø205.00 x 4.00 mm NBR O'RING | 64,36 ₺ |

KURU ROTORLU SİRKÜLASYON POMPASI

EILR 65/200 SERİSİ

| NO | KOD | PARÇA ADI | LİSTE SATIŞ FİYATI |
|----|------------|------------------------------------|--------------------|
| 1 | 0514310001 | EIL 65/200 POMPA GÖVDESİ (YN) | 8.173,90 ₺ |
| 2 | 0514310002 | EIL 65/200 POMPA FANII (YN) | 1.456,00 ₺ |
| 3 | 0510310003 | SG 200 (YN) | 1.642,54 ₺ |
| 4 | 0510310004 | PF 200 | 1.948,53 ₺ |
| 5 | 0512210005 | MF 80/90 MOTOR FLANŞI | 1.725,80 ₺ |
| | 0512400005 | MF 132 | 2.594,77 ₺ |
| | 0512300005 | MF 100/112 | 1.996,90 ₺ |
| | 0513400005 | MF 160/180 | 3.795,85 ₺ |
| 6 | 0510000003 | MEKANİK SALMASTRA EIL/EA 50/26 Q28 | 7,17 \$ |
| 7 | | ÇARK KİLİT SOMUNU, RONDELA VE KAMA | 173,33 ₺ |
| 8 | 0511250080 | EILR 250/80 YN ŞAFT 2020 | 53,38 \$ |
| | 0511250092 | EILR 250/90-L YN ŞAFT 2020 | 69,61 \$ |
| | 0511250101 | EILR 250/100B YN ŞAFT 2020 | 73,40 \$ |
| | 0511250134 | EILR 250/132-L YN ŞAFT 2020 | 136,49 \$ |
| | 0511250162 | EILR 250/160B YN ŞAFT 2020 | 167,26 \$ |
| 9 | 0510000004 | EIL PURJÖR VE TAPASI | 184,36 ₺ |
| 10 | 0510000005 | PASLANMAZ SOMUN M 12X1,25 | 4,92 \$ |
| | 0025000005 | PASLANMAZ SOMUN M16X1,5 | 8,13 \$ |
| | 0510000006 | PASLANMAZ SOMUN M 20 X1,5 | 10,72 \$ |
| 11 | 0220000015 | HUNİ TAPASI 3/8 (KÖR TAPA) | 66,18 ₺ |
| 12 | 0510310005 | Ø205.00 x 4.00 mm NBR O'RING | 64,36 ₺ |

EILR 80/200 SERİSİ

| NO | KOD | PARÇA ADI | LİSTE SATIŞ FİYATI |
|----|------------|------------------------------------|--------------------|
| 1 | 0515310001 | EIL 80-200 POMPA GÖVDESİ (YN) | 9.746,82 ₺ |
| 2 | 0515310002 | EIL 80/200 POMPA FANI (YN) | 1.692,36 ₺ |
| 3 | 0510310003 | SG 200 (YN) | 1.642,54 ₺ |
| 4 | 0510310004 | PF 200 | 1.948,53 ₺ |
| 5 | 0512210005 | MF 80/90 MOTOR FLANŞI | 1.725,80 ₺ |
| | 0512400005 | MF 132 | 2.594,77 ₺ |
| | 0512300005 | MF 100/112 | 1.996,90 ₺ |
| | 0513400005 | MF 160/180 | 3.795,85 ₺ |
| 6 | 0510000003 | MEKANİK SALMASTRA EIL/EA 50/26 Q28 | 7,17 \$ |
| 7 | | ÇARK KİLİT SOMUNU, RONDELA VE KAMA | 173,33 ₺ |
| 8 | 0511250091 | EILR 250/90-B YN ŞAFT 2020 | 69,79 \$ |
| | 0511250102 | EILR 250/100L YN ŞAFT 2020 | 73,63 \$ |
| | 0511250162 | EILR 250/160B YN ŞAFT 2020 | 167,26 \$ |
| | 0511250134 | EILR 250/132-L YN ŞAFT 2020 | 136,49 \$ |
| | 0511250181 | EILR 250/180B YN ŞAFT 2020 | 184,94 \$ |
| 9 | 0510000004 | EIL PURJÖR VE TAPASI | 184,36 ₺ |
| 10 | 0510000005 | PASLANMAZ SOMUN M 12X1,25 | 4,92 \$ |
| | 0025000005 | PASLANMAZ SOMUN M16X1,5 | 8,13 \$ |
| | 0510000006 | PASLANMAZ SOMUN M 20 X1,5 | 10,72 \$ |
| 11 | 0220000015 | HUNİ TAPASI 3/8 (KÖR TAPA) | 66,18 ₺ |
| 12 | 0510310005 | Ø205.00 x 4.00 mm NBR O'RING | 64,36 ₺ |

EILR 100/200 SERİSİ

| NO | KOD | PARÇA ADI | LİSTE SATIŞ FİYATI |
|----|------------|------------------------------------|--------------------|
| 1 | 0516310001 | EIL 100/200 POMPA GÖVDESİ (YN) | 13.197,73 ₺ |
| 2 | 0516310002 | EIL 100/200 POMPA FANI (YN) | 1.928,73 ₺ |
| 3 | 0510310003 | SG 200 (YN) | 1.642,54 ₺ |
| 4 | 0510310004 | PF 200 | 1.948,53 ₺ |
| 5 | 0513400006 | MF 200 | 4.026,93 ₺ |
| | 0512400005 | MF 132 | 2.594,77 ₺ |
| | 0512300005 | MF 100/112 | 1.996,90 ₺ |
| | 0513400005 | MF 160/180 | 3.795,85 ₺ |
| 6 | 0510000002 | MEKANİK SALMASTRA EIL Q33 | 12,59 \$ |
| 7 | | ÇARK KİLİT SOMUNU, RONDELA VE KAMA | 173,33 ₺ |
| 8 | 0511250103 | EILR 250/100-S YN ŞAFT 2020 | 74,08 \$ |
| | 0511250135 | EILR 250/132-M YN ŞAFT 2020 | 138,39 \$ |
| | 0511250162 | EILR 250/160B YN ŞAFT 2020 | 167,26 \$ |
| | 0511250183 | EILR 250/180-M YN ŞAFT 2020 | 187,51 \$ |
| | 0511250201 | EILR 250/200B YN ŞAFT 2020 | 204,55 \$ |
| 9 | 0510000004 | EIL PURJÖR VE TAPASI | 184,36 ₺ |
| 10 | 0510000005 | PASLANMAZ SOMUN M 12X1,25 | 4,92 \$ |
| | 0025000005 | PASLANMAZ SOMUN M16X1,5 | 8,13 \$ |
| | 0510000006 | PASLANMAZ SOMUN M 20 X1,5 | 10,72 \$ |
| 11 | 0220000015 | HUNİ TAPASI 3/8 (KÖR TAPA) | 66,18 ₺ |
| 12 | 0510310005 | Ø205.00 x 4.00 mm NBR O'RING | 64,36 ₺ |

EILR 125/200 SERİSİ

| NO | KOD | PARÇA ADI | LİSTE SATIŞ FİYATI |
|----|------------|------------------------------------|--------------------|
| 1 | 0517310001 | EIL 125/200 POMPA GÖVDESİ (YN) | 16.599,46 ₺ |
| 2 | 0517310002 | EIL 125/200 POMPA FANI (YN) | 2.165,09 ₺ |
| 3 | 0510310003 | SG 200 (YN) | 1.642,54 ₺ |
| 4 | 0510310004 | PF 200 | 1.948,53 ₺ |
| 5 | 0513400006 | MF 200 | 4.026,93 ₺ |
| | 0512400005 | MF 132 | 2.594,77 ₺ |
| | 0512300005 | MF 100/112 | 1.996,90 ₺ |
| | 0513400005 | MF 160/180 | 3.795,85 ₺ |
| 6 | 0510000002 | MEKANİK SALMASTRA EIL Q33 | 12,59 \$ |
| 7 | | ÇARK KİLİT SOMUNU, RONDELA VE KAMA | 173,33 ₺ |
| 8 | 0511250103 | EILR 250/100-S YN ŞAFT 2020 | 74,08 \$ |
| | 0511250135 | EILR 250/132-M YN ŞAFT 2020 | 138,39 \$ |
| | 0511250162 | EILR 250/160B YN ŞAFT 2020 | 167,26 \$ |
| | 0511250183 | EILR 250/180-M YN ŞAFT 2020 | 187,51 \$ |
| | 0511250201 | EILR 250/200B YN ŞAFT 2020 | 204,55 \$ |
| 9 | 0510000004 | EIL PURJÖR VE TAPASI | 184,36 ₺ |
| 10 | 0510000005 | PASLANMAZ SOMUN M 12X1,25 | 4,92 \$ |
| | 0025000005 | PASLANMAZ SOMUN M16X1,5 | 8,13 \$ |
| | 0510000006 | PASLANMAZ SOMUN M 20 X1,5 | 10,72 \$ |
| 11 | 0220000015 | HUNİ TAPASI 3/8 (KÖR TAPA) | 66,18 ₺ |
| 12 | 0510310005 | Ø205.00 x 4.00 mm NBR O'RING | 64,36 ₺ |

KURU ROTORLU SİRKÜLASYON POMPASI

EILR 40/250 SERİSİ

| NO | KOD | PARÇA ADI | LİSTE SATIŞ FİYATI |
|----|------------|------------------------------------|--------------------|
| 1 | 0512410001 | EIL 40/250 POMPA GÖVDESİ (YN) | 8.375,60 ₺ |
| 2 | 0512410002 | EIL 40/250 FAN (YN) | 2.743,39 ₺ |
| 3 | 0510410003 | SG 250 (YN) | 2.932,43 ₺ |
| 4 | 0513400004 | PF 250 | 2.136,42 ₺ |
| 5 | 0512210005 | MF 80/90 MOTOR FLANŞI | 1.725,80 ₺ |
| | 0512300005 | MF 100/112 | 1.996,90 ₺ |
| | 0512400005 | MF 132 | 2.594,77 ₺ |
| | 0513400005 | MF 160/180 | 3.795,85 ₺ |
| 6 | 0510000001 | MEKANİK SALMASTRA EIL Q22 | 6,91 \$ |
| | 0510000003 | MEKANİK SALMASTRA EIL/EA 50/26 Q28 | 7,17 \$ |
| 7 | | ÇARK KİLİT SOMUNU, RONDELA VE KAMA | 173,33 ₺ |
| 8 | 0511160090 | EILR 160/90 YN ŞAFT 2020 | 69,25 \$ |
| | 0511160100 | EILR 160/100 YN ŞAFT 2020 | 72,80 \$ |
| | 0511250162 | EILR 250/160B YN ŞAFT 2020 | 167,26 \$ |
| | 0511160132 | EILR 160/132 YN ŞAFT 2020 | 135,55 \$ |
| 9 | 0510000004 | EIL PURJÖR VE TAPASI | 184,36 ₺ |
| 10 | 0510000005 | PASLANMAZ SOMUN M 12X1,25 | 4,92 \$ |
| | 0025000005 | PASLANMAZ SOMUN M16X1,5 | 8,13 \$ |
| | 0510000006 | PASLANMAZ SOMUN M 20 X1,5 | 10,72 \$ |
| 11 | 0220000015 | HUNİ TAPASI 3/8 (KÖR TAPA) | 66,18 ₺ |
| 12 | 0510110005 | Ø150.00 x 4.00 mm NBR O'RING | 34,96 ₺ |
| | 0510210004 | Ø165.00 x 4.00 mm NBR O'RING | 45,33 ₺ |
| | 0510310005 | Ø205.00 x 4.00 mm NBR O'RING | 64,36 ₺ |
| | 0510410004 | Ø265.00 x 4.00 mm NBR O'RING | 67,35 ₺ |

EILR 50/250 SERİSİ

| NO | KOD | PARÇA ADI | LİSTE SATIŞ FİYATI |
|----|------------|------------------------------------|--------------------|
| 1 | 0513410001 | EIL 50/250 POMPA GÖVDESİ (YN) | 8.114,02 ₺ |
| 2 | 0513410002 | EIL 50/250 FAN (YN) | 2.220,24 ₺ |
| 3 | 0510410003 | SG 250 (YN) | 2.932,43 ₺ |
| 4 | 0513400004 | PF 250 | 2.136,42 ₺ |
| 5 | 0512210005 | MF 80/90 MOTOR FLANŞI | 1.725,80 ₺ |
| | 0512300005 | MF 100/112 | 1.996,90 ₺ |
| | 0513400005 | MF 160/180 | 3.795,85 ₺ |
| 6 | 0510000003 | MEKANİK SALMASTRA EIL/EA 50/26 Q28 | 7,17 \$ |
| 7 | | ÇARK KİLİT SOMUNU, RONDELA VE KAMA | 173,33 ₺ |
| 8 | 0511250090 | EILR 250/90 YN ŞAFT 2020 | 69,13 \$ |
| | 0511250100 | EILR 250/100 YN ŞAFT 2020 | 72,80 \$ |
| | 0511250160 | EILR 250/160 YN ŞAFT 2020 | 166,18 \$ |
| | 0511250180 | EILR 250/180 YN ŞAFT 2020 | 182,92 \$ |
| 9 | 0510000004 | EIL PURJÖR VE TAPASI | 184,36 ₺ |
| 10 | 0510000005 | PASLANMAZ SOMUN M 12X1,25 | 4,92 \$ |
| | 0025000005 | PASLANMAZ SOMUN M16X1,5 | 8,13 \$ |
| | 0510000006 | PASLANMAZ SOMUN M 20 X1,5 | 10,72 \$ |
| 11 | 0220000015 | HUNİ TAPASI 3/8 (KÖR TAPA) | 66,18 ₺ |
| 12 | 0510110005 | Ø150.00 x 4.00 mm NBR O'RING | 34,96 ₺ |
| | 0510210004 | Ø165.00 x 4.00 mm NBR O'RING | 45,33 ₺ |
| | 0510310005 | Ø205.00 x 4.00 mm NBR O'RING | 64,36 ₺ |
| | 0510410004 | Ø265.00 x 4.00 mm NBR O'RING | 67,35 ₺ |

EILR 65/250 SERİSİ

| NO | KOD | PARÇA ADI | LİSTE SATIŞ FİYATI |
|----|------------|------------------------------------|--------------------|
| 1 | 0514410001 | EIL 65/250 POMPA GÖVDESİ (YN) | 9.945,05 ₺ |
| 2 | 0514410002 | EIL 65/250 FAN (YN) | 2.499,61 ₺ |
| 3 | 0510410003 | SG 250 (YN) | 2.932,43 ₺ |
| 4 | 0513400004 | PF 250 | 2.136,42 ₺ |
| 5 | 0512210005 | MF 80/90 MOTOR FLANŞI | 1.725,80 ₺ |
| | 0512300005 | MF 100/112 | 1.996,90 ₺ |
| | 0513400005 | MF 160/180 | 3.795,85 ₺ |
| 6 | 0510000003 | MEKANİK SALMASTRA EIL/EA 50/26 Q28 | 7,17 \$ |
| 7 | | ÇARK KİLİT SOMUNU, RONDELA VE KAMA | 173,33 ₺ |
| 8 | 0511250090 | EILR 250/90 YN ŞAFT 2020 | 69,13 \$ |
| | 0511250100 | EILR 250/100 YN ŞAFT 2020 | 72,80 \$ |
| | 0511250160 | EILR 250/160 YN ŞAFT 2020 | 166,18 \$ |
| | 0511250180 | EILR 250/180 YN ŞAFT 2020 | 182,92 \$ |
| 9 | 0510000004 | EIL PURJÖR VE TAPASI | 184,36 ₺ |
| 10 | 0510000005 | PASLANMAZ SOMUN M 12X1,25 | 4,92 \$ |
| | 0025000005 | PASLANMAZ SOMUN M16X1,5 | 8,13 \$ |
| | 0510000006 | PASLANMAZ SOMUN M 20 X1,5 | 10,72 \$ |
| 11 | 0220000015 | HUNİ TAPASI 3/8 (KÖR TAPA) | 66,18 ₺ |
| 12 | 0510110005 | Ø150.00 x 4.00 mm NBR O'RİNG | 34,96 ₺ |
| | 0510210004 | Ø165.00 x 4.00 mm NBR O'RİNG | 45,33 ₺ |
| | 0510310005 | Ø205.00 x 4.00 mm NBR O'RİNG | 64,36 ₺ |
| | 0510410004 | Ø265.00 x 4.00 mm NBR O'RİNG | 67,35 ₺ |

EILR 80/250 SERİSİ

| NO | KOD | PARÇA ADI | LİSTE SATIŞ FİYATI |
|----|------------|------------------------------------|--------------------|
| 1 | 0515410001 | EIL 80/250 GÖVDESİ (YN) | 12.491,79 ₺ |
| 2 | 0515410002 | EIL 80/250 FAN (YN) | 2.579,12 ₺ |
| 3 | 0510410003 | SG 250 (YN) | 2.932,43 ₺ |
| 4 | 0513400004 | PF 250 | 2.136,42 ₺ |
| 5 | 0512300005 | MF 100/112 | 1.996,90 ₺ |
| | 0512400005 | MF 132 | 2.594,77 ₺ |
| | 0513400005 | MF 160/180 | 3.795,85 ₺ |
| | 0513400006 | MF 200 | 4.026,93 ₺ |
| 6 | 0510000003 | MEKANİK SALMASTRA EIL/EA 50/26 Q28 | 7,17 \$ |
| 7 | | ÇARK KİLİT SOMUNU, RONDELA VE KAMA | 173,33 ₺ |
| 8 | 0511250100 | EILR 250/100 YN ŞAFT 2020 | 72,80 \$ |
| | 0511250132 | EILR 250/132 YN ŞAFT 2020 | 135,41 \$ |
| | 0511250160 | EILR 250/160 YN ŞAFT 2020 | 166,18 \$ |
| | 0511250180 | EILR 250/180 YN ŞAFT 2020 | 182,92 \$ |
| | 0511250200 | EILR 250/200 YN ŞAFT 2020 | 201,90 \$ |
| 9 | 0510000004 | EIL PURJÖR VE TAPASI | 184,36 ₺ |
| 10 | 0510000005 | PASLANMAZ SOMUN M 12X1,25 | 4,92 \$ |
| | 0025000005 | PASLANMAZ SOMUN M16X1,5 | 8,13 \$ |
| | 0510000006 | PASLANMAZ SOMUN M 20 X1,5 | 10,72 \$ |
| 11 | 0220000015 | HUNİ TAPASI 3/8 (KÖR TAPA) | 66,18 ₺ |
| 12 | 0510110005 | Ø150.00 x 4.00 mm NBR O'RİNG | 34,96 ₺ |
| | 0510210004 | Ø165.00 x 4.00 mm NBR O'RİNG | 45,33 ₺ |
| | 0510310005 | Ø205.00 x 4.00 mm NBR O'RİNG | 64,36 ₺ |
| | 0510410004 | Ø265.00 x 4.00 mm NBR O'RİNG | 67,35 ₺ |

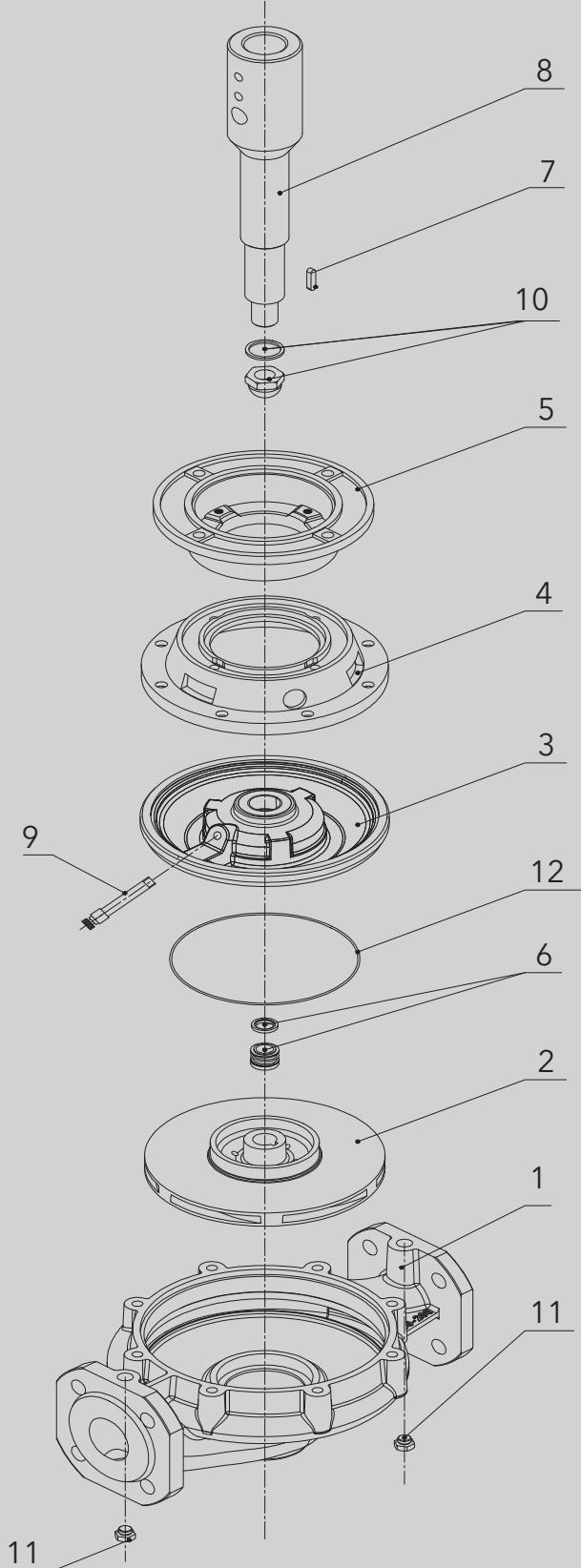
KURU ROTORLU SİRKÜLASYON POMPASI

EILR 100/250 SERİSİ

| NO | KOD | PARÇA ADI | LİSTE SATIŞ FİYATI |
|----|------------|------------------------------------|--------------------|
| 1 | 0516410001 | EIL 100/250 POMPA GÖVDESİ (YN) | 16.179,19 ₺ |
| 2 | 0516410002 | EIL 100/250 FAN (YN) | 2.879,94 ₺ |
| 3 | 0510410003 | SG 250 (YN) | 2.932,43 ₺ |
| 4 | 0513400004 | PF 250 | 2.136,42 ₺ |
| 5 | 0512300005 | MF 100/112 | 1.996,90 ₺ |
| | 0512400005 | MF 132 | 2.594,77 ₺ |
| | 0513400005 | MF 160/180 | 3.795,85 ₺ |
| | 0513400006 | MF 200 | 4.026,93 ₺ |
| 6 | 0510000002 | MEKANİK SALMASTRA EIL Q33 | 12,59 \$ |
| 7 | | ÇARK KİLİT SOMUNU, RONDELA VE KAMA | 173,33 ₺ |
| 8 | 0511250104 | EILR 250/100-M YN ŞAFT 2020 | 73,25 \$ |
| | 0511250133 | EILR 250/132B YN ŞAFT 2020 | 136,90 \$ |
| | 0511250162 | EILR 250/160B YN ŞAFT 2020 | 167,26 \$ |
| | 0511250182 | EILR 250/180L YN ŞAFT 2020 | 183,66 \$ |
| | 0511250202 | EILR 250/200L YN ŞAFT 2020 | 203,34 \$ |
| 9 | 0510000004 | EIL PURJÖR VE TAPASI | 184,36 ₺ |
| 10 | 0510000005 | PASLANMAZ SOMUN M 12X1,25 | 4,92 \$ |
| | 0025000005 | PASLANMAZ SOMUN M16X1,5 | 8,13 \$ |
| | 0510000006 | PASLANMAZ SOMUN M 20 X1,5 | 10,72 \$ |
| 11 | 0220000015 | HUNİ TAPASI 3/8 (KÖR TAPA) | 66,18 ₺ |
| 12 | 0510110005 | Ø150.00 x 4.00 mm NBR O'RING | 34,96 ₺ |
| | 0510210004 | Ø165.00 x 4.00 mm NBR O'RING | 45,33 ₺ |
| | 0510310005 | Ø205.00 x 4.00 mm NBR O'RING | 64,36 ₺ |
| | 0510410004 | Ø265.00 x 4.00 mm NBR O'RING | 67,35 ₺ |

EILR 125/250 SERİSİ

| NO | KOD | PARÇA ADI | LİSTE SATIŞ FİYATI |
|----|------------|------------------------------------|--------------------|
| 1 | 0517410001 | EIL 125/250 POMPA GÖVDESİ (YN) | 24.100,65 ₺ |
| 2 | 0517410002 | EIL 125/250 POMPA FANI (YN) | 3.093,91 ₺ |
| 3 | 0510410003 | SG 250 (YN) | 2.932,43 ₺ |
| 4 | 0513400004 | PF 250 | 2.136,42 ₺ |
| 5 | 0512300005 | MF 100/112 | 1.996,90 ₺ |
| | 0512400005 | MF 132 | 2.594,77 ₺ |
| | 0513400005 | MF 160/180 | 3.795,85 ₺ |
| | 0513400006 | MF 200 | 4.026,93 ₺ |
| 6 | 0510000002 | MEKANİK SALMASTRA EIL Q33 | 12,59 \$ |
| 7 | | ÇARK KİLİT SOMUNU, RONDELA VE KAMA | 173,33 ₺ |
| 8 | 0511250104 | EILR 250/100-M YN ŞAFT 2020 | 73,25 \$ |
| | 0511250133 | EILR 250/132B YN ŞAFT 2020 | 136,90 \$ |
| | 0511250162 | EILR 250/160B YN ŞAFT 2020 | 167,26 \$ |
| 9 | 0510000004 | EIL PURJÖR VE TAPASI | 184,36 ₺ |
| 10 | 0510000005 | PASLANMAZ SOMUN M 12X1,25 | 4,92 \$ |
| | 0025000005 | PASLANMAZ SOMUN M16X1,5 | 8,13 \$ |
| | 0510000006 | PASLANMAZ SOMUN M 20 X1,5 | 10,72 \$ |
| 11 | 0220000015 | HUNİ TAPASI 3/8 (KÖR TAPA) | 66,18 ₺ |
| 12 | 0510110005 | Ø150.00 x 4.00 mm NBR O'RING | 34,96 ₺ |
| | 0510210004 | Ø165.00 x 4.00 mm NBR O'RING | 45,33 ₺ |
| | 0510310005 | Ø205.00 x 4.00 mm NBR O'RING | 64,36 ₺ |
| | 0510410004 | Ø265.00 x 4.00 mm NBR O'RING | 67,35 ₺ |



MALZEMELER

| MALZEMELER | |
|------------|------------------------------|
| 1 | POMPA GÖVDESİ |
| 2 | ÇARK |
| 3 | SALMASTRA GÖVDESİ |
| 4 | POMPA FLANŞI |
| 5 | MOTOR FLANŞI |
| 6 | MEKANİK SALMASTRA |
| 7 | KAMA |
| 8 | ŞAFT |
| 9 | HAVA TAHLİYE VANASI |
| 10 | ÇARK KİLİT SOMUNU VE RONDOLA |
| 11 | 3/8'' TAPALAR |
| 12 | O-RİNG |

VM 46

| NO. | KOD | PARÇA ADI | LİSTE SATIŞ FİYATI |
|-----|--------------|--------------------------|--------------------|
| 1 | 011 0046 001 | MOTOR | FİYAT SORUNUZ |
| 2 | 011 0046 002 | CIVATA | FİYAT SORUNUZ |
| 3 | 011 0046 003 | ÇIKIŞ FLANŞI | FİYAT SORUNUZ |
| 4 | 011 0046 004 | ÇIKIŞ FLANŞI CONTASI | FİYAT SORUNUZ |
| 5 | 011 0046 005 | POMPA ÇIKIŞI | FİYAT SORUNUZ |
| 6 | 011 0046 006 | SOMUN | FİYAT SORUNUZ |
| 7 | 011 0046 007 | O-RING | FİYAT SORUNUZ |
| 8 | 011 0046 008 | MEKANİK SALMASTRA | 16,07 \$ |
| 9 | 011 0046 009 | FAN SOMUNU | FİYAT SORUNUZ |
| 10 | 011 0046 010 | ÜST DİFÜZOR | 9,17 \$ |
| 11 | 011 0046 011 | ÇARK (FAN) | 5,28 \$ |
| 12 | 011 0046 012 | ARA DİFÜZOR | 9,17 \$ |
| 13 | 011 0046 013 | SOMUN | FİYAT SORUNUZ |
| 14 | 011 0046 014 | YAY SOMUNU | FİYAT SORUNUZ |
| 15 | 011 0046 015 | KENDİNDEN KİLİTLİ CIVATA | FİYAT SORUNUZ |
| 16 | 011 0046 016 | O-RING | 0,73 \$ |
| 17 | 011 0046 017 | POMPA KILIFI | FİYAT SORUNUZ |
| 18 | 011 0046 018 | POMPA GİRİŞİ (ALT KAFA) | 72,73 \$ |
| 19 | 011 0046 019 | DRENAJ CONTASI | FİYAT SORUNUZ |
| 20 | 011 0046 020 | BOŞALTMA TAPASI | FİYAT SORUNUZ |
| 21 | 011 0046 021 | SAPLAMA PULU | FİYAT SORUNUZ |
| 22 | 011 0046 022 | YAY SOMUNU | FİYAT SORUNUZ |
| 23 | 011 0046 023 | SAPLAMA | FİYAT SORUNUZ |

VM 66

| NO. | KOD | PARÇA ADI | LİSTE SATIŞ FİYATI |
|-----|--------------|--------------------------------|--------------------|
| 1 | 011 0066 001 | MOTOR | FİYAT SORUNUZ |
| 2 | 011 0066 002 | CIVATA | FİYAT SORUNUZ |
| 3 | 011 0066 003 | ÇIKIŞ FLANŞI | FİYAT SORUNUZ |
| 4 | 011 0066 004 | ÇIKIŞ FLANŞI CONTASI | FİYAT SORUNUZ |
| 5 | 011 0066 005 | POMPA ÇIKIŞI GÖVDESİ(ÜST KAFA) | 48,48 \$ |
| 6 | 011 0066 006 | SOMUN | FİYAT SORUNUZ |
| 7 | 011 0066 007 | O-RING | FİYAT SORUNUZ |
| 8 | 011 0066 008 | MEKANİK SALMASTRA | 16,07 \$ |
| 9 | 011 0066 009 | FAN SOMUNU | FİYAT SORUNUZ |
| 10 | 011 0066 010 | ÜST DİFÜZOR | 9,17 \$ |
| 11 | 011 0066 011 | ÇARK (FAN) | 6,87 \$ |
| 12 | 011 0066 012 | ARA DİFÜZOR | 9,17 \$ |
| 13 | 011 0066 013 | SOMUN | FİYAT SORUNUZ |
| 14 | 011 0066 014 | YAY SOMUNU | FİYAT SORUNUZ |
| 15 | 011 0066 015 | KENDİNDEN KİLİTLİ CIVATA | FİYAT SORUNUZ |
| 16 | 011 0066 016 | O-RING | 0,73 \$ |
| 17 | 011 0066 017 | POMPA KILIFI | FİYAT SORUNUZ |
| 18 | 011 0066 018 | POMPA GİRİŞİ (ALT KAFA) | 72,73 \$ |
| 19 | 011 0066 019 | DRENAJ CONTASI | FİYAT SORUNUZ |
| 20 | 011 0066 020 | BOŞALTMA TAPASI | FİYAT SORUNUZ |
| 21 | 011 0066 021 | SAPLAMA PULU | FİYAT SORUNUZ |
| 22 | 011 0066 022 | YAY SOMUNU | FİYAT SORUNUZ |
| 23 | 011 0066 023 | SAPLAMA | FİYAT SORUNUZ |

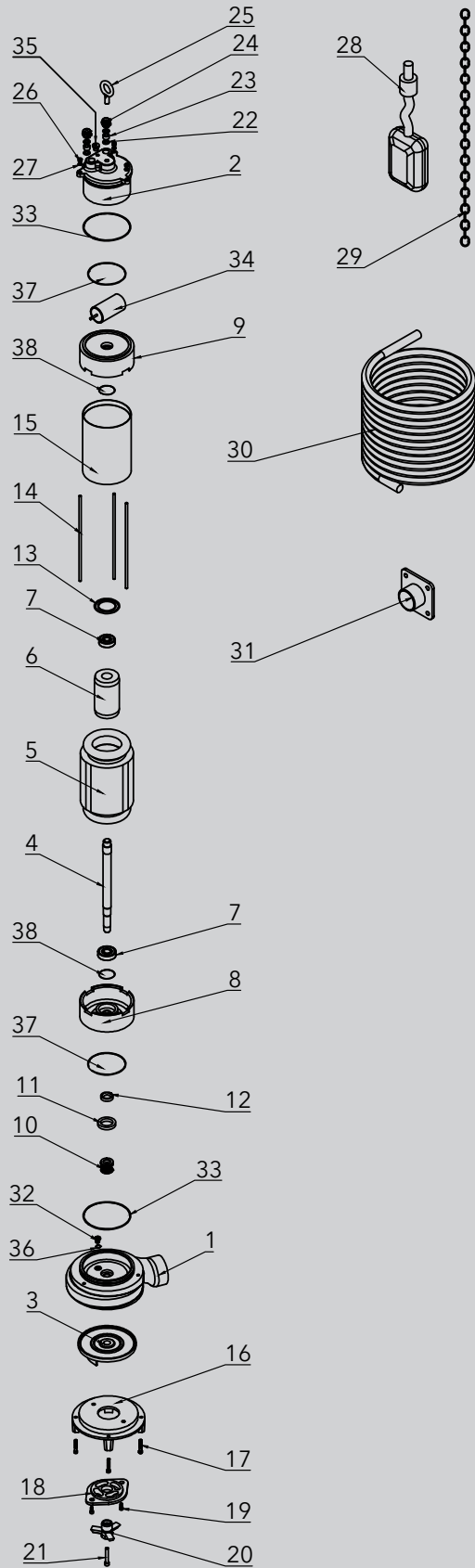
VM 68

| NO. | KOD | PARÇA ADI | LİSTE SATIŞ FİYATI |
|-----|--------------|---------------------------------|--------------------|
| 1 | 011 0068 001 | MOTOR | 181,82 \$ |
| 2 | 011 0068 002 | CIVATA | FİYAT SORUNUZ |
| 3 | 011 0068 003 | ÇIKIŞ FLANŞI | FİYAT SORUNUZ |
| 4 | 011 0068 004 | ÇIKIŞ FLANŞI CONTASI | FİYAT SORUNUZ |
| 5 | 011 0068 005 | POMPA ÇIKIŞI GÖVGESİ (ÜST KAFA) | 48,48 \$ |
| 6 | 011 0068 006 | SOMUN | FİYAT SORUNUZ |
| 7 | 011 0068 007 | O-RING | FİYAT SORUNUZ |
| 8 | 011 0068 008 | MEKANİK SALMASTRA | 16,07 \$ |
| 9 | 011 0068 009 | FAN SOMUNU | FİYAT SORUNUZ |
| 10 | 011 0068 010 | ÜST DİFÜZÖR | 9,17 \$ |
| 11 | 011 0068 011 | ÇARK (FAN) | 6,87 \$ |
| 12 | 011 0068 012 | ARA DİFÜZÖR | 9,17 \$ |
| 13 | 011 0068 013 | SOMUN | FİYAT SORUNUZ |
| 14 | 011 0068 014 | YAY SOMUNU | FİYAT SORUNUZ |
| 15 | 011 0068 015 | KENDİNDEN KİLİTLİ CIVATA | FİYAT SORUNUZ |
| 16 | 011 0068 016 | O-RING | 0,73 \$ |
| 17 | 011 0068 017 | POMPA KILIFI | FİYAT SORUNUZ |
| 18 | 011 0068 018 | POMPA GİRİŞİ (ALT KAFA) | 72,73 \$ |
| 19 | 011 0068 019 | DRENAJ CONTASI | FİYAT SORUNUZ |
| 20 | 011 0068 020 | BOŞALTMA TAPASI | FİYAT SORUNUZ |
| 21 | 011 0068 021 | SAPLAMA PULU | FİYAT SORUNUZ |
| 22 | 011 0068 022 | YAY SOMUNU | FİYAT SORUNUZ |
| 23 | 011 0068 023 | SAPLAMA | 4,85 \$ |
| 24 | 011 0068 024 | MİL | 72,73 \$ |
| 25 | 011 0068 025 | MOTOR SOĞUTMA FAN KAPAĞI | 7,27 \$ |

EFP 11 DP SERİSİ

| NO | KOD | PARÇA ADI | LİSTE SATIŞ FİYATI |
|----|------------|---|--------------------|
| 1 | 0811400002 | EFP 11DP / D POMPA GÖVDESİ | 3.036,20 ₺ |
| 2 | 0811400001 | EFP 11 DP / D / DV DRENAJ ÜST KAFA | 2.013,80 ₺ |
| 3 | 0811400003 | EFP 11DP /D DRENAJ ÇARK | 743,49 ₺ |
| 4 | 0811400014 | EFP 11DP / D / DV DRENAJ POMPA ŞAFT | 53,17 \$ |
| 5 | 0811400009 | EFP 11DP / D / DP / DV 1.1 KW (1.5 HP) STATOR | 65,87 \$ |
| 6 | 0811400008 | EFP 11DP / D / DP / DV 1.1 KW (1.5 HP) ROTOR | 52,80 \$ |
| 7 | 0811400018 | EFP 11DP / D / DP / DV RULMAN : 6302 ZZ | 128,77 ₺ |
| 8 | 0811400004 | EFP 11DP / D / DP / DV ALT RULMAN YATAĞI | 1.078,54 ₺ |
| 9 | | EFP 11DP / D / DP/ DV ÜST RULMAN YATAĞI | 1.078,54 ₺ |
| 10 | 0811400012 | D1:14 D7:27 MEK.SAL. | 7,15 \$ |
| 11 | 0811400007 | EFP11 POMPA SALMASTRA PULU ø23x14x2 | 20,48 ₺ |
| 12 | 0811400017 | EFP11 POMPA KEÇE 15x25x5 (SUPTEX 6142) | 24,93 ₺ |
| 13 | 0811400010 | EFP11 POMPA RULMAN BASKI YAYI 34.5x25,4x1,2 | 2,80 ₺ |
| 14 | 0811400032 | SAPLAMA | 2,07 \$ |
| 15 | 0811400028 | KILIF | 30,61 \$ |
| 16 | 0811400005 | EFP11 POMPA GÖVDE AYAĞI | 923,15 ₺ |
| 17 | | M5x45 ALYAN BAŞLI CİVATA PASLANMAZ | |
| 18 | 0810000015 | EFP 30 SABİT BIÇAK | 45,70 \$ |
| 19 | | M6x15 ALYAN BAŞLI CİVATA PASLANMAZ | |
| 20 | 0810000016 | EFP11 POMPA HAREKETLİ BIÇAK | 45,70 \$ |
| 21 | | M8x40 ALYAN BAŞLI CİVATA PASLANMAZ | |
| 22 | 0810000020 | KABLO GROMET PULU | 5,11 \$ |
| 23 | 0810000011 | KABLO GROMETİ | 7,09 ₺ |
| 24 | 0810000013 | G 1/2"GROMET BASKI SOMUNU (304 PASLANMAZ) | 5,11 \$ |
| 25 | 0811400033 | EFP11 ASKI MAPA M8 | 62,97 ₺ |
| 26 | 0810000043 | M6 ŞAPKALI SOMUN PASLANMAZ | 3,64 ₺ |
| 27 | | M6 YAYLI RONDELA | |
| 28 | 0811400023 | EFP11 FLATÖR (H07RN-F 3x1 - 0,5mt) | 525,91 ₺ |
| 29 | 0810000025 | POMPA ZİNCİRİ (M) | 236,36 ₺ |
| 30 | 0811400021 | EFP 11 KAUÇUK KABLO (10MT/AD) | 2.190,30 ₺ |
| 31 | 0811400019 | EFP 11DP / D / ÖZEL FLANŞ | 94,55 ₺ |
| 32 | | M5x5 YILDIZ BAŞLI CİVATA PASLANMAZ | |
| 33 | 0811400011 | EFP11 POMPA POMPA O'RING(Ø107,62x2,62mm) | 0,33 \$ |
| 34 | 0811400020 | EFP11 POMPA KONDANSATÖR | 8,67 \$ |
| 35 | 0810000045 | G 1/4" TAPA | 81,94 ₺ |
| 36 | 0811400016 | EFP 11 YAĞ O'RING (Ø4.00x1,50mm) | 0,25 \$ |
| 37 | 0811400025 | EFP 11 ALT RULMAN YATAĞI O'RING (Ø94,97x1,78mm) | 0,24 \$ |
| 38 | 0811400022 | EFP 11 RULMAN YATAĞI O'RING (Ø34.00x1,50mm) | 0,19 \$ |

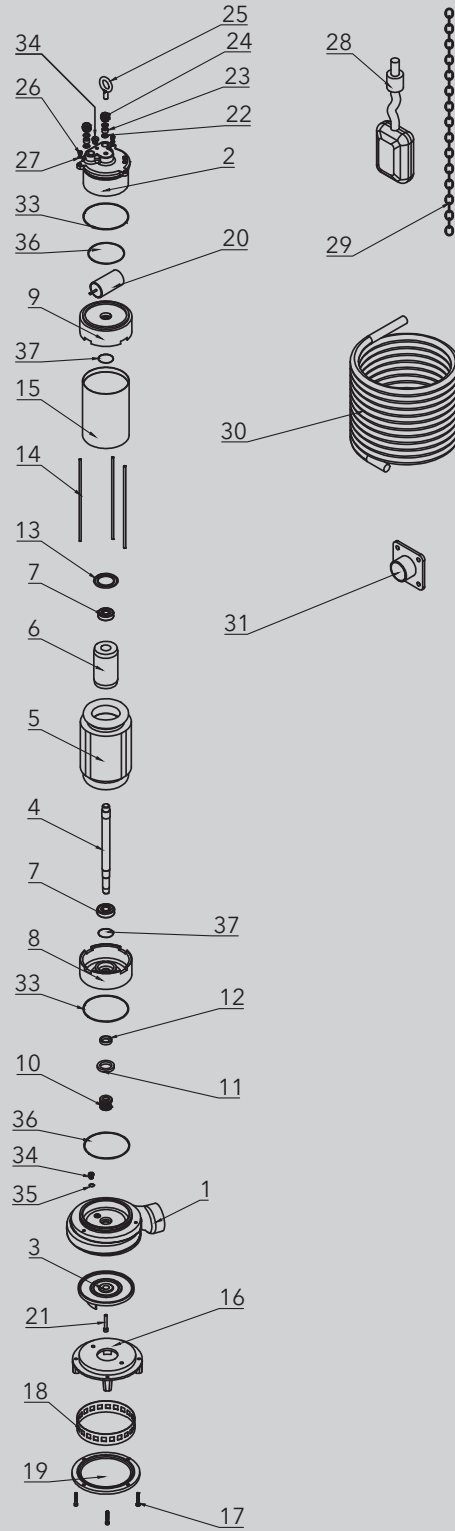
EFP 11 DP SERİSİ PATLATILMIŞ GÖRÜNÜM



EFP 11 D SERİSİ

| NO | KOD | PARÇA ADI | LİSTE SATIŞ FİYATI |
|----|------------|---|--------------------|
| 1 | 0811400002 | EFP 11DP / D POMPA GÖVDESİ | 3.036,20 ₺ |
| 2 | 0811400001 | EFP 11 DP / D/DV DRENAJ ÜST KAFA | 2.013,80 ₺ |
| 3 | 0811400003 | EFP 11DP /D DRENAJ ÇARK | 743,49 ₺ |
| 4 | 0811400014 | EFP 11DP / D DV DRENAJ POMPA ŞAFT | 53,17 \$ |
| 5 | 0811400009 | EFP 11DP / D / DP / DV 1.1 KW (1.5 HP) STATOR | 65,87 \$ |
| 6 | 0811400008 | EFP 11DP / D / DP / DV 1.1 KW (1.5 HP) ROTOR | 52,80 \$ |
| 7 | 0811400018 | EFP 11DP / D / DP / DV RULMAN : 6302 ZZ | 128,77 ₺ |
| 8 | 0811400004 | EFP 11DP / D / DP ALT RULMAN YATAĞI | 1.078,54 ₺ |
| 9 | | EFP 11DP / D / DP ÜST RULMAN YATAĞI | 1.078,54 ₺ |
| 10 | 0811400012 | D1:14 D7:27 MEK.SAL. | 7,15 \$ |
| 11 | 0811400007 | EFP11 POMPA SALMASTRA PULU ø23x14x2 | 20,48 \$ |
| 12 | 0811400017 | EFP11 POMPA KEÇE 15x25x5 (SUPTEX 6142) | 24,93 ₺ |
| 13 | 0811400010 | EFP11 POMPA RULMAN BASKI YAYI 34.5x25,4x1,2 | 2,80 ₺ |
| 14 | 0811400032 | SAPLAMA | 2,07 \$ |
| 15 | 0811400028 | KILIF | 30,61 \$ |
| 16 | 0811400005 | EFP11 POMPA GÖVDE AYAĞI | 923,15 ₺ |
| 17 | | M5x45 ALYAN BAŞLI CİVATA PASLANMAZ | |
| 18 | 0811600000 | EFP 11 D POMPA SÜZGEÇ P 304 | 15,44 \$ |
| 19 | 0811400006 | EFP 11 D POMPA DİSK | |
| 20 | 0811400020 | EFP11 POMPA KONDANSATÖR | 8,67 \$ |
| 21 | | M8x40 ALYAN BAŞLI CİVATA PASLANMAZ | |
| 22 | 0810000020 | KABLO GROMET PULU | 5,11 \$ |
| 23 | 0810000011 | KABLO GROMETİ | 7,09 ₺ |
| 24 | 0810000013 | G 1/2"GROMET BASKI SOMUNU (304 PASLANMAZ) | 5,11 \$ |
| 25 | 0811400033 | EFP11 ASKI MAPA M8 | 62,97 ₺ |
| 26 | 0810000043 | M6 ŞAPKALI SOMUN PASLANMAZ | 3,64 ₺ |
| 27 | | M6 YAYLI RONDELA | |
| 28 | 0811400023 | EFP11 FLATÖR (H07RN-F 3x1 - 0,5mt) | 525,91 ₺ |
| 29 | 0810000025 | POMPA ZİNCİRİ (M) | 236,36 ₺ |
| 30 | 0811400021 | EFP 11 KAUÇUK KABLO (10MT/AD) | 2.190,30 ₺ |
| 31 | 0811400019 | EFP 11DP / D / ÖZEL FLANŞ | 94,55 ₺ |
| 32 | | M5x5 YILDIZ BAŞLI CİVATA PASLANMAZ | |
| 33 | 0811400011 | EFP11 POMPA POMPA O'RİNG(Ø107,62x2,62mm) | 0,33 \$ |
| 34 | 0810000045 | G 1/4" TAPA | 81,94 ₺ |
| 35 | 0811400016 | EFP 11 YAĞ O'RİNG (Ø4.00x1,50mm) | 0,25 \$ |
| 36 | 0811400025 | EFP 11 ALT RULMAN YATAĞI O'RİNG (Ø94,97x1,78mm) | 0,24 \$ |
| 37 | 0811400022 | EFP 11 RULMAN YATAĞI O'RİNG (Ø34.00x1,50mm) | 0,19 \$ |

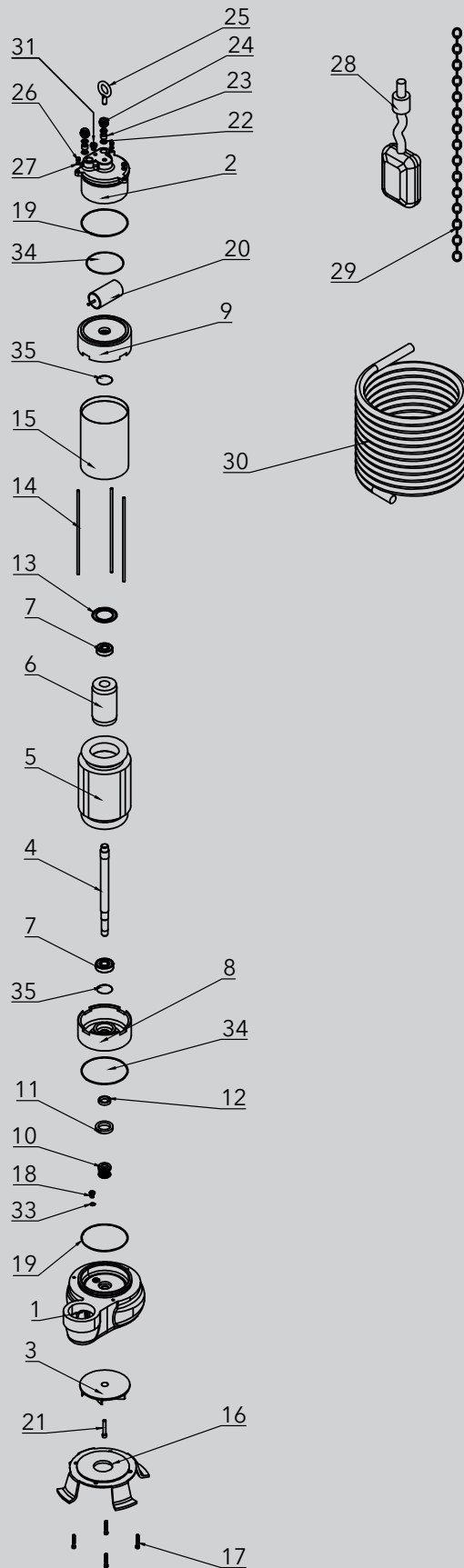
EFP 11 D SERİSİ PATLATILMIŞ GÖRÜNÜM



EFP 11 DV SERİSİ

| NO | KOD | PARÇA ADI | LİSTE SATIŞ FİYATI |
|----|------------|---|--------------------|
| 1 | 0811500002 | EFP 11 DV POMPA GÖVDESİ | 3.166,99 ₺ |
| 2 | 0811400001 | EFP 11 DP / D / DV DRENAJ ÜST KAFA | 2.013,80 ₺ |
| 3 | 0811500003 | EFP 11DV DRENAJ ÇARK | 821,96 ₺ |
| 4 | 0811400014 | EFP 11DP / D DV DRENAJ POMPA ŞAFT | 53,17 \$ |
| 5 | 0811400009 | EFP 11DP / D / DP / DV 1.1 KW (1.5 HP) STATOR | 65,87 \$ |
| 6 | 0811400008 | EFP 11DP / D / DP / DV 1.1 KW (1.5 HP) ROTOR | 52,80 \$ |
| 7 | 0811400018 | EFP 11DP / D / DP / DV RULMAN : 6302 ZZ | 128,77 ₺ |
| 8 | 0811400004 | EFP 11DP / D / DP ALT RULMAN YATAĞI | 1.078,54 ₺ |
| 9 | | EFP 11DP / D / DP ÜST RULMAN YATAĞI | 1.078,54 ₺ |
| 10 | 0811400012 | D1:14 D7:27 MEK.SAL. | 7,15 \$ |
| 11 | 0811400007 | EFP11 POMPA SALMASTRA PULU ø23x14x2 | 20,48 \$ |
| 12 | 0811400017 | EFP11 POMPA KEÇE 15x25x5 (SUPTEX 6142) | 24,93 ₺ |
| 13 | 0811400010 | EFP11 POMPA RULMAN BASKI YAYI 34.5x25,4x1,2 | 2,80 ₺ |
| 14 | 0811400032 | SAPLAMA | 2,07 \$ |
| 15 | 0811400028 | KILIF | 30,61 \$ |
| 16 | 0811500005 | EFP11DV POMPA GÖVDE AYAĞI | 984,98 ₺ |
| 17 | | M6x10 ALYAN BAŞLI CİVATA PASLANMAZ | |
| 18 | | M5x5 YILDIZ BAŞLI CİVATA PASLANMAZ | |
| 19 | 0810000011 | EFP11 POMPA POMPA O'RİNG (Ø107,62x2,62mm) | 0,33 \$ |
| 20 | 0810000020 | EFP11 POMPA KONDANSATÖR | 8,67 ₺ |
| 21 | | M8x40 ALYAN BAŞLI CİVATA PASLANMAZ | |
| 22 | 0810000020 | KABLO GROMET PULU | 5,11 \$ |
| 23 | 0810000011 | KABLO GROMETİ | 7,09 ₺ |
| 24 | 0810000013 | G 1/2" GROMET BASKI SOMUNU (304 PASLANMAZ) | 5,11 \$ |
| 25 | 0811400033 | EFP11 ASKI MAPA M8 | 62,97 ₺ |
| 26 | 0810000043 | M6 ŞAPKALI SOMUN PASLANMAZ | 3,64 ₺ |
| 27 | | M6 YAYLI RONDELA | |
| 28 | 0811400023 | EFP11 FLATÖR (H07RN-F 3x1 - 0,5mt) | 525,91 ₺ |
| 29 | 0810000025 | POMPA ZİNCİRİ (M) | 236,36 ₺ |
| 30 | 0811400021 | EFP 11 KAUÇUK KABLO (10MT/AD) | 2.190,30 ₺ |
| 31 | 0810000045 | G 1/4" TAPA | 81,94 ₺ |
| 32 | | M5X5 YILDIZ BAŞLI CİVATA CONTASI | |
| 33 | 0811400016 | EFP 11 YAĞ O'RİNG (Ø4.00x1,50mm) | 0,25 \$ |
| 34 | 0811400025 | EFP 11 ALT RULMAN YATAĞI O'RİNG (Ø94,97x1,78mm) | 0,24 \$ |
| 35 | 0811400022 | EFP 11 RULMAN YATAĞI O'RİNG (Ø34.00x1,50mm) | 0,19 \$ |

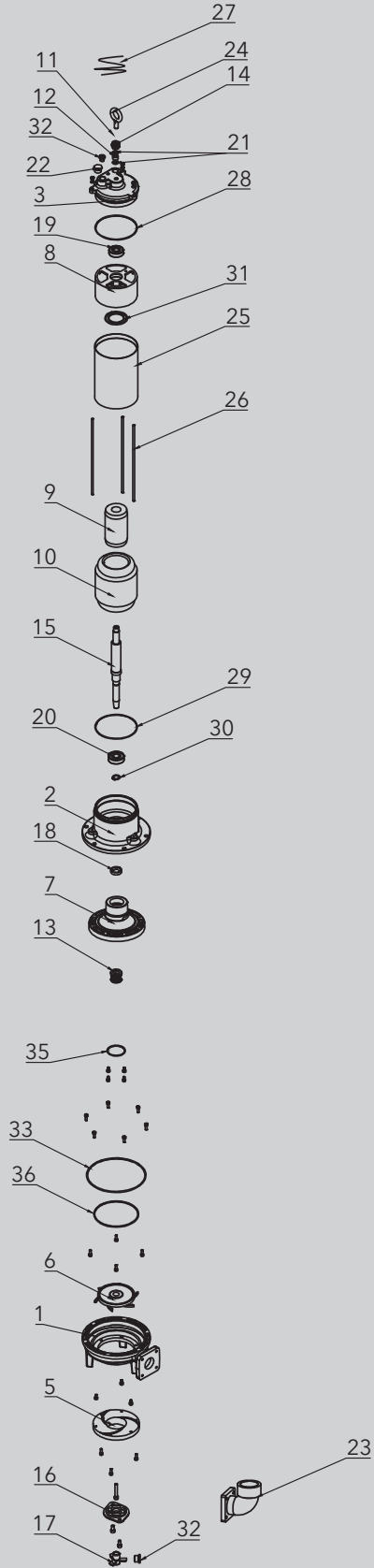
EFP 11 DV SERİSİ PATLATILMIŞ GÖRÜNÜM



EFP 30 SERİSİ

| NO | KOD | PARÇA ADI | LİSTE SATIŞ FİYATI |
|----|------------|---|--------------------|
| 1 | 0810000001 | DRENAJ POMPA GÖVDESİ | 2.883,64 ₺ |
| 2 | 0810000026 | EFP 30 DRENAJ POMPA ALT GÖVDE | 3.520,70 ₺ |
| 3 | 0810000029 | EFP 30 DRENAJ ÜST KAFA | 1.906,10 ₺ |
| 5 | 0810000005 | DRENAJ SIYIRICI GÖVDE | 1.329,91 ₺ |
| 6 | 0810000006 | DRENAJ ÇARK | 1.192,53 ₺ |
| 7 | 0810000007 | DRENAJ RULMAN YATAĞI | 2.548,06 ₺ |
| 8 | 0810000027 | EFP 30 ÜST RULMAN YATAĞI | 1.359,29 ₺ |
| 9 | 0810000008 | 2,2 KW (3 HP) ROTOR | 72,11 \$ |
| 10 | 0810000009 | 2,2 KW (3 HP) STATOR | 71,85 \$ |
| 11 | 0810000010 | 10 M DRENAJ KABLO H07RN/7 (M) | 241,91 ₺ |
| 12 | 0810000011 | KABLO GROMETİ | 7,09 ₺ |
| 13 | 0810000012 | D1:20 D7:35 MEK.SAL. (BURGMANN MG-1 MUADİL) | 7,15 \$ |
| 14 | 0810000013 | G 1/2" GROMET BASKI SOMUNU | 5,11 \$ |
| 15 | 0810000014 | DRENAJ ŞAFT | 58,86 \$ |
| 16 | 0810000015 | DRENAJ SABİT BIÇAK HAM | 45,70 \$ |
| 17 | 0810000016 | DRENAJ DÖNER BIÇAK | 45,70 \$ |
| 18 | 0810000017 | DRENAJ KEÇE 20x35x6 | 75,64 ₺ |
| 19 | 0810000018 | ÜST RULMAN : 6303 ZZ | 237,53 ₺ |
| 20 | 0810000019 | ALT RULMAN : 6304 ZZ | 266,46 ₺ |
| 21 | 0810000020 | GROMET BASKI PULU | 5,11 \$ |
| 22 | 0810000021 | DRENAJ G 1/2" ÜST TAPA | 11,50 ₺ |
| 23 | 0810000022 | EFP 30 DİRSEKLİ KARŞI FLANŞ 2"-11"/2 | 843,66 ₺ |
| 24 | 0810000033 | EFP 30 DRENAJ ASKI MAPA | 130,47 ₺ |
| 25 | 0810000028 | EFP 30 DRENAJ POMPA KILIFI L=180mm | 25,56 \$ |
| 26 | 0810000032 | EFP 30 DRENAJ POMPA SAPLAMA L=260mm | 2,02 \$ |
| 27 | 0810000025 | EFP POMPA ZİNCİRİ (MT) | 236,36 ₺ |
| 28 | 0251000002 | POMPA ORİNGİ KO 126,67*2,62 | 0,39 \$ |
| 29 | 0810000039 | POMPA ORİNGİ KO 183,75*3,53 | 0,85 \$ |
| 30 | | SEGMAN 20 lık | 15,76 ₺ |
| 31 | | YAYLI RONDELA | 15,76 ₺ |
| 32 | | 1 1/4 YAĞ TAPASI | 31,52 ₺ |
| 33 | 0810000042 | RULMAN YATAĞI O-RİNGİ 139,3*3,53 | 0,58 \$ |
| 35 | 0810000038 | MEK.SAL O-RİNGİ 53,65*2,62 | 0,12 \$ |
| 36 | 0810000040 | RULMAN YATAĞI O-RİNGİ 66,27*3,53 | 0,20 \$ |

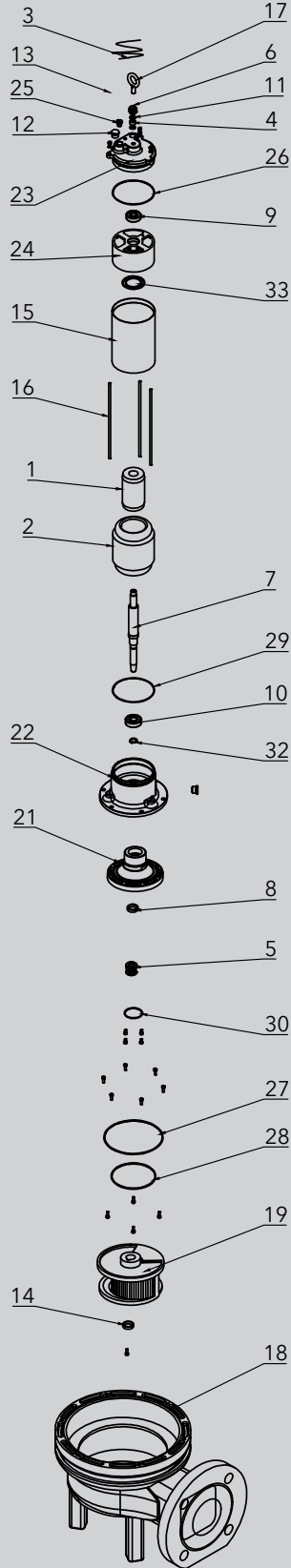
EFP 30 & EFP 22 DP SERİSİ PATLATILMIŞ GÖRÜNÜM



EFP 30 T ve EFP 26 DT SERİSİ

| NO | KOD | PARÇA ADI | LİSTE SATIŞ FİYATI |
|----|------------|--|--------------------|
| 1 | 0811200004 | 2,6 KW (3 HP) ROTOR | 82,24 \$ |
| 2 | 0811200003 | 2,6 KW (3 HP) STATOR | 79,04 \$ |
| 3 | 0810000010 | 10 M DRENAJ KABLO H07RN/7 (M) | 241,91 ₺ |
| 4 | 0810000011 | KABLO GROMETİ | 7,09 ₺ |
| 5 | 0810000012 | D1:20 D7:35 MEK.SAL. (BURGMANN MG-1 MUADİL) | 7,15 \$ |
| 6 | 0810000013 | G 1/2"GROMET BASKI SOMUNU | 5,11 \$ |
| 7 | 0810000014 | DRENAJ ŞAFT | 58,86 \$ |
| 8 | 0810000017 | DRENAJ KEÇE 20x35x6 | 75,64 ₺ |
| 9 | 0810000018 | ÜST RULMAN : 6303 ZZ | 237,53 ₺ |
| 10 | 0810000019 | ALT RULMAN : 6304 ZZ | 266,46 ₺ |
| 11 | 0810000020 | GROMET BASKI PULU | 5,11 \$ |
| 12 | 0810000021 | DRENAJ G 1/2" ÜST TAPA | 11,50 ₺ |
| 13 | 0810000025 | EFP POMPA ZİNCİRİ (M) | 236,36 ₺ |
| 14 | 0810000023 | EFP 30 DRENAJ POMPA ÇARK PULU | 220,95 ₺ |
| 15 | 0811200005 | EFP 2,2/2,6 DRENAJ POMPA KILIFI L=184mm | 25,56 \$ |
| 16 | 0811200006 | EFP 2,2/2,6 DRENAJ POMPA SAPLAMA L=266mm | 2,02 \$ |
| 17 | 0810000033 | EFP 30 DRENAJ ASKI MAPA | 130,47 ₺ |
| 18 | 0811200001 | EFP-30T ND 65 POMPA GÖVDESİ | 4.102,96 ₺ |
| 19 | 0811200002 | EFP-30T DRENAJ POMPA ÇARKI | 1.333,41 ₺ |
| 21 | 0810000007 | DRENAJ RULMAN YATAĞI ve DRENAJ MEK.SAL.GÖVDESİ | 2.548,06 ₺ |
| 22 | 0810000026 | EFP 30 DRENAJ POMPA ALT GÖVDE | 3.520,70 ₺ |
| 23 | 0810000029 | EFP 30 DRENAJ ÜST KAFA | 1.906,10 ₺ |
| 24 | 0810000027 | EFP 30 ÜST RULMAN YATAĞI | 1.359,29 ₺ |
| 25 | | 1 1/4 YAĞ TAPASI | 31,52 ₺ |
| 26 | 0251000002 | POMPA ORINGİ KO 126,67*2,62 | 0,39 \$ |
| 27 | 0810000039 | POMPA ORINGİ KO 183,75*3,53 | 0,85 \$ |
| 28 | 0810000042 | RULMAN YATAĞI O-RINGİ 139,3*3,53 | 0,58 \$ |
| 29 | 0810000040 | RULMAN YATAĞI O-RINGİ 66,27*3,53 | 0,20 \$ |
| 32 | | SEGMAN 20 lik | 15,76 ₺ |
| 33 | | YAYLI RONDELA | 15,76 ₺ |

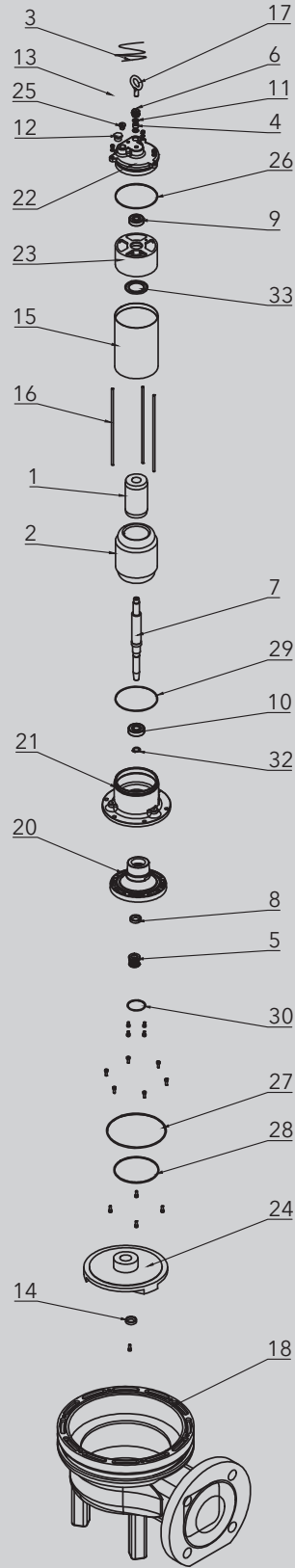
EFP 30 T ve EFP 26 DT SERİSİ PATLATILMIŞ GÖRÜNÜM



EFP 30 V SERİSİ

| NO | KOD | PARÇA ADI | LİSTE SATIŞ FİYATI |
|----|------------|--|--------------------|
| 1 | 0811200004 | 2,6 KW (3 HP) ROTOR | 82,24 \$ |
| 2 | 0811200003 | 2,6 KW (3 HP) STATOR | 79,04 \$ |
| 3 | 0810000010 | 10 M DRENAJ KABLO H07RN/7 (M) | 241,91 ₺ |
| 4 | 0810000011 | KABLO GROMETİ | 7,09 ₺ |
| 5 | 0810000012 | D1:20 D7:35 MEK.SAL. (BURGMANN MG-1 MUADİL) | 7,15 \$ |
| 6 | 0810000013 | G 1/2"GROMET BASKI SOMUNU | 5,11 \$ |
| 7 | 0810000014 | DRENAJ ŞAFT | 58,86 \$ |
| 8 | 0810000017 | DRENAJ KEÇE 20x35x6 | 75,64 ₺ |
| 9 | 0810000018 | ÜST RULMAN : 6303 ZZ | 237,53 ₺ |
| 10 | 0810000019 | ALT RULMAN : 6304 ZZ | 266,46 ₺ |
| 11 | 0810000020 | GROMET BASKI PULU | 5,11 \$ |
| 12 | 0810000021 | DRENAJ G 1/2" ÜST TAPA | 11,50 ₺ |
| 13 | 0810000025 | EFP POMPA ZİNCİRİ (M) | 236,36 ₺ |
| 14 | 0810000023 | EFP 30 DRENAJ POMPA ÇARK PULU | 220,95 ₺ |
| 15 | 0811200005 | EFP 2,2/2,6 DRENAJ POMPA KILIFI L=184mm | 26,57 \$ |
| 16 | 0811200006 | EFP 2,2/2,6 DRENAJ POMPA SAPLAMA L=266mm | 2,02 \$ |
| 17 | 0810000033 | EFP 30 DRENAJ ASKI MAPA | 130,47 ₺ |
| 18 | 0811200001 | EFP-30T ND 65 POMPA GÖVDESİ | 4.102,96 ₺ |
| 20 | 0810000007 | DRENAJ RULMAN YATAĞI ve DRENAJ MEK.SAL.GÖVDESİ | 2.548,06 ₺ |
| 21 | 0810000026 | EFP 30 DRENAJ POMPA ALT GÖVDE | 3.520,70 ₺ |
| 22 | 0810000029 | EFP 30 DRENAJ ÜST KAFA | 1.906,10 ₺ |
| 23 | 0810000027 | EFP 30 ÜST RULMAN YATAĞI | 1.359,29 ₺ |
| 24 | 0811300001 | EFP 30 V DRENAJ POMPA ÇARKI | 821,96 ₺ |
| 25 | | 1 1/4 YAĞ TAPASI | 31,52 ₺ |
| 26 | 0251000002 | POMPA ORINGİ KO 126,67*2,62 | 0,39 \$ |
| 27 | 0810000039 | POMPA ORINGİ KO 183,75*3,53 | 0,85 \$ |
| 28 | 0810000042 | RULMAN YATAĞI O-RINGİ 139,3*3,53 | 0,58 \$ |
| 29 | 0810000040 | RULMAN YATAĞI O-RINGİ 66,27*3,53 | 0,20 \$ |
| 32 | | SEGMAN 20 lik | 15,76 ₺ |
| 33 | | YAYLI RONDELA | 15,76 ₺ |

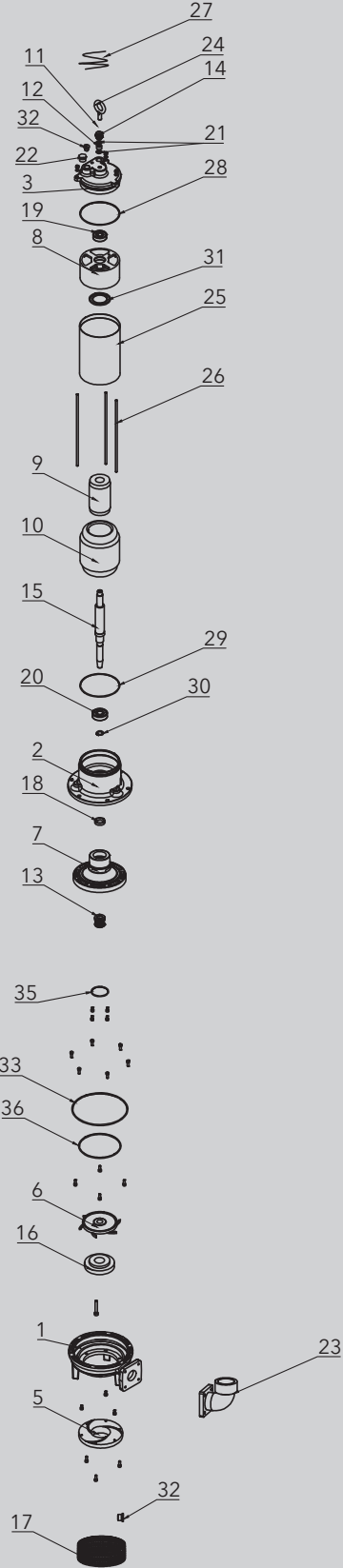
EFP 30 V ve EFP 26 DV SERİSİ PATLATILMIŞ GÖRÜNÜM



EFP 30 D ve EFP 22 D SERİSİ

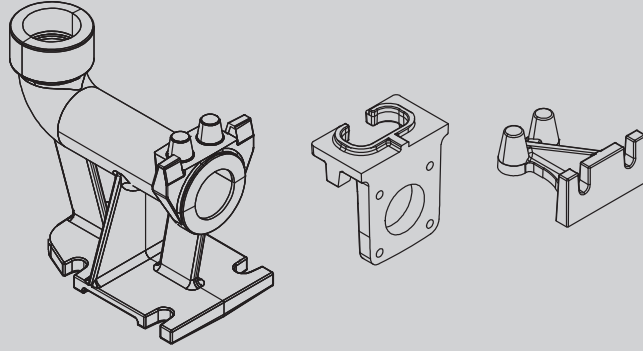
| NO | KOD | PARÇA ADI | LİSTE SATIŞ FİYATI |
|----|------------|--|--------------------|
| 1 | 081000001 | DRENAJ POMPA GÖVDESİ | 2.883,64 ₺ |
| 2 | 081000026 | EFP 30 DRENAJ POMPA ALT GÖVDE | 3.520,70 ₺ |
| 3 | 081000029 | EFP 30 DRENAJ ÜST KAFA | 1.906,10 ₺ |
| 5 | 081000005 | DRENAJ SİYİRİCİ GÖVDE | 1.329,91 ₺ |
| 6 | 081000006 | DRENAJ ÇARK | 1.192,53 ₺ |
| 7 | 081000007 | DRENAJ RULMAN YATAĞI ve DRENAJ MEK.SAL.GÖVDESİ | 2.548,06 ₺ |
| 8 | 081000027 | EFP 30 ÜST RULMAN YATAĞI | 1.359,29 ₺ |
| 9 | 081000008 | 2,2 KW (3 HP) ROTOR | 72,11 \$ |
| 10 | 081000009 | 2,2 KW (3 HP) STATOR | 71,85 \$ |
| 11 | 081000010 | 10 M DRENAJ KABLO H07RN/7 (M) | 241,91 ₺ |
| 12 | 081000011 | KABLO GROMETİ | 7,09 ₺ |
| 13 | 081000012 | D1:20 D7:35 MEK.SAL. (BURGMANN MG-1 MUADİL) | 7,15 \$ |
| 14 | 081000013 | G 1/2"GROMET BASKI SOMUNU | 5,11 \$ |
| 15 | 081000014 | DRENAJ ŞAFT | 58,86 \$ |
| 16 | 081000023 | EFP 30 DRENAJ POMPA ÇARK PULU | 220,95 ₺ |
| 17 | 081000024 | EFP 30 DRENAJ POMPA FİLTRESİ | 40,97 \$ |
| 18 | 081000017 | DRENAJ KEÇE 20x35x6 | 75,64 ₺ |
| 19 | 081000018 | ÜST RULMAN : 6303 ZZ | 237,53 ₺ |
| 20 | 081000019 | ALT RULMAN : 6304 ZZ | 266,46 ₺ |
| 21 | 081000020 | GROMET BASKI PULU | 5,11 \$ |
| 22 | 081000021 | DRENAJ G 1/2" ÜST TAPA | 11,50 ₺ |
| 23 | 081000022 | EFP 30 DİRSEKLİ KARŞI FLANŞ 2"-11"/2 | 843,66 ₺ |
| 24 | 081000033 | EFP 30 DRENAJ ASKI MAPA | 130,47 ₺ |
| 25 | 0811200005 | EFP 2,2/2,6 DRENAJ POMPA KILIFI L=184mm | 25,56 \$ |
| 26 | 0811200006 | EFP 2,2/2,6 DRENAJ POMPA SAPLAMA L=266mm | 2,02 \$ |
| 27 | 081000025 | EFP POMPA ZİNCİRİ (M) | 236,36 ₺ |
| 28 | 0251000002 | POMPA ORİNGİ KO 126,67*2,62 | 0,39 \$ |
| 29 | 081000039 | POMPA ORİNGİ KO 183,75*3,53 | 0,85 \$ |
| 30 | | SEGMAN 20 lık | 15,76 ₺ |
| 31 | | YAYLI RONDELA | 15,76 ₺ |
| 32 | | 1 1/4 YAĞ TAPASI | 31,52 ₺ |
| 33 | 081000042 | RULMAN YATAĞI O-RİNGİ 139,3*3,53 | 0,58 \$ |
| 35 | 081000038 | MEK.SAL O-RİNGİ 53,65*2,62 | 0,12 \$ |
| 36 | 081000042 | RULMAN YATAĞI O-RİNGİ 139,3*3,53 | 0,58 \$ |

EFP 30 D ve EFP 22 D SERİSİ PATLATILMIŞ GÖRÜNÜM



EFP 30 ve EFP 22 DP KIZAK TAKIMI

| NO | KOD | PARÇA ADI | LİSTE SATIŞ FİYATI |
|----|------------|-----------------------------------|--------------------|
| 1 | 0811000001 | EFP POMPA SABİT ÜST BRAKET | 253,07 ₺ |
| 2 | 0811000002 | EFP POMPA HAREKETLİ KIZAK BRAKETİ | 880,90 ₺ |
| 3 | 0811000003 | EFP POMPA KIZAK SABİT DİRSEK 2" | 1.968,08 ₺ |



ÇİFT EMİŞLİ BÖLÜNEBİLİR GÖVDELİ POMPA

ESC 80/370 SERİSİ

| NO | KOD | PARÇA ADI | LİSTE SATIŞ FİYATI |
|----|------------|---|--------------------|
| 1A | 0322720002 | ESC 80-370 POMPA GÖVDE (ALT) | 59.652,27 ₺ |
| 1B | 0322720001 | ESC 80-370 ÜST GÖVDE | 28.117,42 ₺ |
| 2 | 0322720004 | ESC 80-370 POMPA FAN | 64.787,59 ₺ |
| 3 | 0322720005 | ESC 80-370 SALMASTRA GÖVDESİ | 13.394,85 ₺ |
| 4 | 0322720003 | ESC 80-370 POMPA ŞAFTI | 205,91 \$ |
| 5 | 0322720006 | ESC 80-370 POMPA AŞINMA HALKASI | 8.109,64 ₺ |
| 6 | 0322720007 | ESC 80-370 POMPA RULMAN YATAĞI | 2.385,95 ₺ |
| 7 | 0322720008 | ESC 80-370 POMPA RULMAN KAPAĞI MOTOR TARAFI | 2.385,95 ₺ |
| 8 | 0322720009 | ESC 80-370 POMPA YAĞLAMA HALKASI | FİYAT SORUNUZ |
| 9 | 0322720010 | ESC 80-370 POMPA SALMASTRA BURCU | FİYAT SORUNUZ |
| | | ESC 80-370 POMPA SALMASTRA BURCU KESTAMİD | FİYAT SORUNUZ |
| 10 | 0322720011 | ESC 80-370 POMPA SALMASTRA BASKI BURCU | FİYAT SORUNUZ |
| 11 | 0322720012 | ESC 80-370 POMPA SALMASTRA BASKI BURCU KAPAĞI | 757,62 ₺ |
| 12 | 0025500004 | 6308 RULMAN (40x90x23) | 711,13 ₺ |
| 13 | 0322720013 | 55X80X10 KEÇE (KK-T NBR) | 87,83 ₺ |
| 14 | 0322720018 | PASLANMAZ KAMA DIN6885 A 14X9X90 | 661,22 ₺ |
| 15 | 0322720017 | ø37X1.5 SEGMAN DIN 471 A | 14,18 ₺ |
| 16 | 0322720016 | Ø189XØ6 SEGMAN ÖZEL | 456,97 ₺ |
| 17 | 0320000012 | 10X10 BRAFLON 5846 YUMUŞAK SALMASTRA | 4.398,44 ₺ |
| 18 | 0322720014 | Ø42,5X3 ORİNG NBR | 2,05 ₺ |
| 19 | 0322720015 | Ø187X5 ORİNG NBR | 29,94 ₺ |
| 21 | 0322720020 | ESC 80/370-1 ASBESTSİZ KLİNGERİT CONTA | 47,27 ₺ |
| | 0322720021 | ESC 80/370-2 ASBESTSİZ KLİNGERİT CONTA | 63,03 ₺ |
| 22 | 0322720023 | 80/370-100/310 SALMASTRA SAPLAMASI M16*65 | 37,82 ₺ |
| 23 | | SAPLAMA M 20X58 | 63,03 ₺ |
| 26 | 0810000046 | EFP 22-26 KÖR TAPA 1/2 | 48,85 ₺ |
| 29 | 0322720019 | PASLANMAZ KAMA DIN6885 A 10X8X75 | 304,75 ₺ |
| 33 | 0322720024 | SALMASTRA MUHAFAZA SAÇI | 267,88 ₺ |

ESC 100/310 SERİSİ

| NO | KOD | PARÇA ADI | LİSTE SATIŞ FİYATI |
|----|------------|--|--------------------|
| 1A | 0323520001 | ESC 100-310 POMPA GÖVDE (ALT) | 69.153,38 ₺ |
| 1B | 0323520018 | ESC 100-310 ÜST GÖVDE | 49.949,31 ₺ |
| 2 | 0323520003 | ESC 100-310 POMPA FAN | 53.363,35 ₺ |
| 3 | 0323520004 | ESC 100-310 SAMLMASTRA GÖVDESİ | 13.394,85 ₺ |
| 4 | 0323520002 | ESC 100-310 POMPA ŞAFTI | 206,24 \$ |
| 5 | 0323520005 | ESC 100-310 POMPA AŞINMA HALKASI | 8.109,64 ₺ |
| 6 | 0323520006 | ESC 100-310 POMPA RULMAN YATAĞI | 2.879,60 ₺ |
| 7 | 0323520007 | ESC 100-310 POMPA RULMAN KAPAĞI MOTOR TARAFI | 2.879,60 ₺ |
| 8 | 0323520008 | ESC 100-310 POMPA YAĞLAMA HALKASI | FİYAT SORUNUZ |
| 9 | 0323520009 | ESC 100-310 POMPA SALMASTRA BURCU | FİYAT SORUNUZ |
| | 0322780009 | ESC 100-310 POMPA SALMASTRA BURCU KESTAMİD | FİYAT SORUNUZ |
| 10 | 0323520010 | ESC 100-310 POMPA SALMASTRA BASKI BURCU | FİYAT SORUNUZ |
| 11 | 0323520011 | ESC 100-310 POMPA SALMASTRA BASKI BURCU KAPAĞI | 757,62 ₺ |
| 12 | 0323520005 | NU308 RULMAN (40x90x23) | 992,73 ₺ |
| | 0025500004 | 6308 RULMAN (40x90x23) | 711,13 ₺ |
| 13 | 0322720013 | 55X80X10 KEÇE (KK-T NBR) | 87,83 ₺ |
| | 0323520010 | 40*55*10 KK-T NBR | 34,04 ₺ |
| 14 | 0322720018 | PASLANMAZ KAMA DIN6885 A 14X9X90 | 661,22 ₺ |
| | 0322720019 | PASLANMAZ KAMA DIN6885 A 12X8X75 | 304,75 ₺ |
| 15 | 0322720017 | ø37X1.5 SEGMAN DIN 471 A | 14,18 ₺ |
| 16 | 0323520016 | Ø214XØ6266XØ6 SEGMAN | 456,97 ₺ |
| 17 | 0323520012 | 10X10 BRAFLON 5846 YUMUŞAK SALMASTRA | 4.398,44 ₺ |
| 18 | 0322720014 | Ø42,5X3 ORİNG NBR | 2,05 ₺ |
| 19 | 0322720015 | Ø187X5 ORİNG NBR | 29,94 ₺ |
| 20 | ZFAB 00001 | Ø13X2,5 ORİNG | 1,15 ₺ |
| 21 | 0323520008 | ESC 100/310-1 ASBETSİZ KLİNGERİT CONTA | 44,59 ₺ |
| | 0323520009 | ESC 100/310-2 ASBETSİZ KLİNGERİT CONTA | 38,29 ₺ |
| 22 | 0322720023 | 80/370-100/310 SALMASTRA SAPLAMASI M16*65 | 37,82 ₺ |
| 23 | | SAPLAMA M 20X58 | 63,03 ₺ |
| 26 | 0810000046 | EFP 22-26 KÖR TAPA 1/2 | 48,85 ₺ |
| 29 | 0322720019 | PASLANMAZ KAMA DIN6885 A 12X8X75 | 304,75 ₺ |
| 33 | 0322720024 | SALMASTRA MUHAFAZA SAÇI | 267,88 ₺ |

ÇİFT EMİŞLİ BÖLÜNEBİLİR GÖVDELİ POMPA

ESC 100/375 SERİSİ

| NO | KOD | PARÇA ADI | LİSTE SATIŞ FİYATI |
|----|------------|--|--------------------|
| 1A | 0323720002 | EASC 100/375 POMPA ÜST GÖVDE | 62.672,29 ₺ |
| 1B | 0323720001 | EASC 100/375 POMPA ALT GÖVDE | 48.596,36 ₺ |
| 2 | 0323720003 | EASC 100/375 POMPA FANI | 80.781,53 ₺ |
| 3 | 0323520004 | ESC 100-310 SAMLMASTRA GÖVDESİ | 13.394,85 ₺ |
| | 0322780009 | ESC 100-75 POMPA SALMASTRA BURCU KESTAMİD | FİYAT SORUNUZ |
| 4 | 0323520002 | ESC 100-310 POMPA ŞAFTI | 206,24 \$ |
| 5 | 0323520005 | ESC 100-310 POMPA AŞINMA HALKASI | 8.109,64 ₺ |
| 6 | 0323520006 | ESC 100-310 POMPA RULMAN YATAĞI | 2.879,60 ₺ |
| 7 | 0323520007 | ESC 100-310 POMPA RULMAN KAPAĞI MOTOR TARAFI | 2.879,60 ₺ |
| 8 | 0323520008 | ESC 100-310 POMPA YAĞLAMA HALKASI | FİYAT SORUNUZ |
| 9 | 0323520009 | ESC 100-310 POMPA SALMASTRA BURCU | FİYAT SORUNUZ |
| 10 | 0323520010 | ESC 100-310 POMPA SALMASTRA BASKI BURCU | FİYAT SORUNUZ |
| 11 | 0323520011 | ESC 100-310 POMPA SALMASTRA BASKI BURCU KAPAĞI | 757,62 ₺ |
| 12 | 0323520005 | NU308 RULMAN (40x90x23) | 992,73 ₺ |
| | 0025500004 | 6308 RULMAN (40x90x23) | 711,13 ₺ |
| 13 | 0322720013 | 55X80X10 KEÇE (KK-T NBR) | 87,83 ₺ |
| | 0323520010 | 40*55*10 KK-T NBR | 34,04 ₺ |
| 14 | 0322720018 | PASLANMAZ KAMA DIN6885 A 14X9X90 | 661,22 ₺ |
| | 0322720019 | PASLANMAZ KAMA DIN6885 A 12X8X75 | 304,75 ₺ |
| 15 | 0322720017 | ø37X1.5 SEGMAN DIN 471 A | 14,18 ₺ |
| 16 | 0323520016 | Ø214XØ6266XØ6 SEGMAN | 456,97 ₺ |
| 17 | 0323520012 | 12X12 BRAFLON 5846 YUMUŞAK SALMASTRA | 4.398,44 ₺ |
| 18 | 0322720014 | Ø42,5X3 ORİNG NBR | 2,05 ₺ |
| 19 | 0322720015 | Ø187X5 ORİNG NBR | 29,94 ₺ |
| 20 | ZFAB 00001 | Ø13X2,5 ORİNG | 1,15 ₺ |
| 21 | 0323720008 | ESC 100-375/1 ASBESTSİZ KLİNGERİT | 44,59 ₺ |
| | 0323720009 | ESC 100-375/2 ASBESTSİZ KLİNGERİT CONTA | 38,29 ₺ |
| 22 | 0322720023 | 80/370-100/310 SALMASTRA SAPLAMASI M16*65 | 37,82 ₺ |
| 23 | | SAPLAMA M 20X58 | 63,03 ₺ |
| 29 | 0322720019 | PASLANMAZ KAMA DIN6885 A 12X8X75 | 304,75 ₺ |
| 33 | 0322720024 | SALMASTRA MUHAFAZA SAÇI | 267,88 ₺ |
| 26 | 0810000046 | EFP 22-26 KÖR TAPA 1/2 | 48,85 ₺ |

ESC 125/290 SERİSİ

| NO | KOD | PARÇA ADI | LİSTE SATIŞ FİYATI |
|----|------------|--|--------------------|
| 1A | 0320000001 | ESC 125-290 POMPA GÖVDE (ALT) | 80.127,27 ₺ |
| 1B | 0320000018 | ESC 125/290 ÜST GÖVDE | 38.851,29 ₺ |
| 2 | 0320000003 | ESC 125-290 POMPA FAN | 68.214,86 ₺ |
| 3 | 0320000004 | ESC 125-290 SAMLMASTRA GÖVDESİ | 15.153,30 ₺ |
| 4 | 0320000002 | ESC 125-290 POMPA ŞAFTI | 286,17 \$ |
| 5 | 0320000005 | ESC 125-290 POMPA AŞINMA HALKASI | 12.108,12 ₺ |
| 6 | 0320000006 | ESC 125-290 POMPA RULMAN YATAĞI | 2.385,95 ₺ |
| 7 | 0320000007 | ESC 125-290 POMPA RULMAN KAPAĞI MOTOR TARAFI | 2.385,95 ₺ |
| 8 | 0320000008 | ESC 125-290 POMPA YAĞLAMA HALKASI | FİYAT SORUNUZ |
| 9 | 0320000009 | ESC 125-290 POMPA SALMASTRA BURCU | FİYAT SORUNUZ |
| | 0324480009 | ESC 125-290 POMPA SALMASTRA BURCU KESTAMİD | FİYAT SORUNUZ |
| 10 | 0320000010 | ESC 125-290 POMPA SALMASTRA BASKI BURCU | FİYAT SORUNUZ |
| 11 | 0320000011 | ESC 125-290 POMPA SALMASTRA BASKI BURCU KAPAĞI | 1.084,50 ₺ |
| 12 | 0028100004 | RULMAN 6309 | 1.048,35 ₺ |
| 13 | 0320000017 | 60X85X13 KEÇE | 79,42 ₺ |
| 14 | 0320000022 | PASLANMAZ KAMA A14*9*120 | 740,10 ₺ |
| 15 | ZFAB 00001 | SEGMAN DIN 471 Ø45 | 15,76 ₺ |
| 16 | 0320000016 | Ø214XØ6266XØ6 SEGMAN | 456,97 ₺ |
| 17 | 0320000012 | 12X12 BRAFLON 5846 YUMUŞAK SALMASTRA | 4.398,44 ₺ |
| 18 | 0320000014 | Ø211X5 ORİNG | 47,27 ₺ |
| 19 | 0320000013 | Ø48X3 ORİNG | 2,84 ₺ |
| 20 | ZFAB 00001 | Ø13X2,5 ORİNG | 3,15 ₺ |
| 21 | 0320000019 | ESC 125/290-1 ASBESTSİZ KLİGERİT CONTA | 157,58 ₺ |
| | 0320000020 | ESC 125/290-2 ASBESTSİZ KLİGERİT CONTA | 105,73 ₺ |
| 22 | ZFAB 00001 | SAPLAMA M16X75 | 100,85 ₺ |
| 23 | | SAPLAMA M 20X58 | 63,03 ₺ |
| 26 | 0810000046 | EFP 22-26 KÖR TAPA 1/2 | 48,85 ₺ |
| 29 | 0320000023 | PASLANMAZ KAMA A12*8*105 304 | 555,71 ₺ |
| 33 | 0322720024 | SALMASTRA MUHAFAZA SAÇI | 267,88 ₺ |

ÇİFT EMİŞLİ BÖLÜNEBİLİR GÖVDELİ POMPA

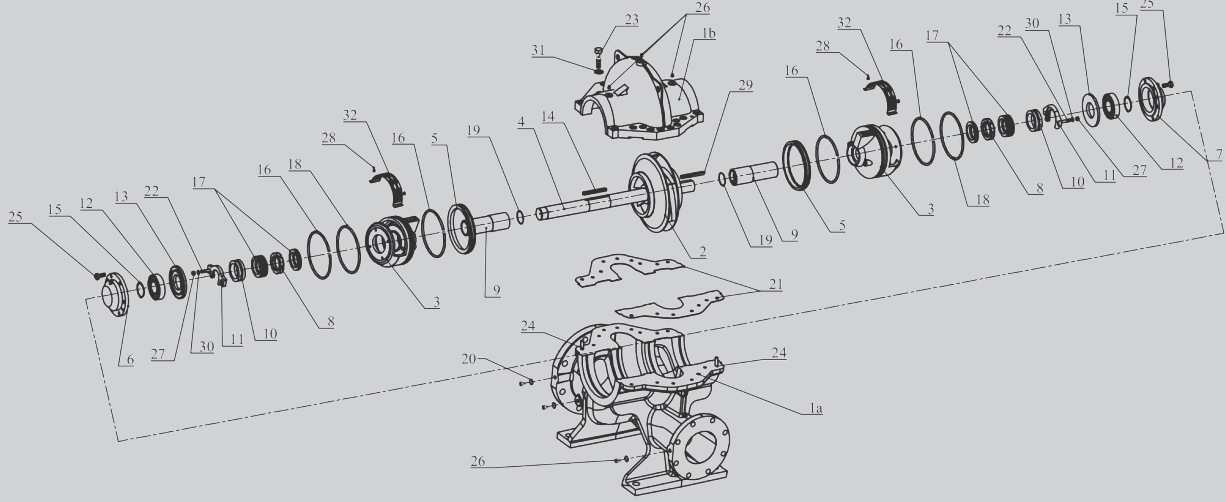
ESC 150/290 SERİSİ

| NO | KOD | PARÇA ADI | LİSTE SATIŞ FİYATI |
|----|------------|--|--------------------|
| 1A | 0325420001 | ESC 150/290 POMPA ALT GÖVDE | 93.363,64 ₺ |
| 1B | 0325420002 | ESC 150/290 POMPA ÜST GÖVDE | 44.456,06 ₺ |
| 2 | 0325420004 | ESC 150/290 POMPA FANI | 52.982,01 ₺ |
| 3 | 0325420005 | ESC 150/290 SALMASTRA GÖVDESİ | 15.153,30 ₺ |
| 4 | 0325420003 | ESC 150/290 POMPA ŞAFTI | 286,17 \$ |
| 5 | 0325420006 | ESC 150/290 AŞINMA HALKASI | 8.686,36 ₺ |
| 6 | 0320000006 | ESC 125-290 POMPA RULMAN YATAĞI | 2.385,95 ₺ |
| 7 | 0320000007 | ESC 125-290 POMPA RULMAN KAPAĞI MOTOR TARAFI | 2.385,95 ₺ |
| 8 | 0320000008 | ESC 125-290 POMPA YAĞLAMA HALKASI | FİYAT SORUNUZ |
| 9 | 0320000009 | ESC 125-290 POMPA SALMASTRA BURCU | FİYAT SORUNUZ |
| | 0324480009 | ESC 125-290 POMPA SALMASTRA BURCU KESTAMİD | FİYAT SORUNUZ |
| 10 | 0320000010 | ESC 125-290 POMPA SALMASTRA BASKI BURCU | FİYAT SORUNUZ |
| 11 | 0320000011 | ESC 125-290 POMPA SALMASTRA BASKI BURCU KAPAĞI | 1.084,50 ₺ |
| 12 | 0028100004 | RULMAN 6309 | 1.048,35 ₺ |
| 13 | 0320000017 | 60X85X13 KEÇE | 79,42 ₺ |
| 14 | 0320000022 | PASLANMAZ KAMA A14*9*120 | 740,10 ₺ |
| 15 | ZFAB 00001 | SEGMAN DIN 471 Ø45 | 15,76 ₺ |
| 16 | 0320000016 | Ø214XØ6266XØ6 SEGMAN | 456,97 ₺ |
| 17 | 0320000012 | 12X12 BRAFLON 5846 YUMUŞAK SALMASTRA | 4.398,44 ₺ |
| 18 | 0320000014 | Ø211X5 ORİNG | 47,27 ₺ |
| 19 | 0320000013 | Ø48X3 ORİNG | 2,84 ₺ |
| 20 | ZFAB 00001 | Ø13X2,5 ORİNG | 3,15 ₺ |
| 21 | 0325420008 | ESC 150/250 KLİNGERİT CONTA (14233)- 1 | 126,85 ₺ |
| | 0325420009 | ESC 150/290 KLİNGERİT CONTA (14232) - 2 | 103,37 ₺ |
| 22 | 0320000021 | 125/290 SALMASTRA BASKI SAPLAMASI M16X75 | 100,85 ₺ |
| 23 | | SAPLAMA M 20X58 | 63,03 ₺ |
| 26 | 0810000046 | EFP 22-26 KÖR TAPA 1/2 | 48,85 ₺ |
| 29 | 0320000023 | PASLANMAZ KAMA A12*8*105 304 | 555,71 ₺ |
| 33 | 0322720024 | SALMASTRA MUHAFAZA SAÇI | 267,88 ₺ |

ESC 150/330 SERİSİ

| NO | KOD | PARÇA ADI | LİSTE SATIŞ FİYATI |
|----|------------|--|--------------------|
| 1A | 0325600001 | ESC ESC 150/330 POMPA ALT GÖVDE | 135.534,69 ₺ |
| 1B | 0325600002 | ESC ESC 150/330 POMPA ÜST GÖVDE | 44.456,06 ₺ |
| 2 | 0325600005 | ESC 150/330 POMPA FANI | 69.654,73 ₺ |
| 3 | 0325420005 | ESC 150/290 SALMASTRA GÖVDESİ | 15.153,30 ₺ |
| 4 | 0325420003 | ESC 150/290 POMPA ŞAFTI | 286,17 \$ |
| 5 | 0325420006 | ESC 150/290 AŞINMA HALKASI | 689,39 ₺ |
| 6 | 0320000006 | ESC 125-290 POMPA RULMAN YATAĞI | 2.385,95 ₺ |
| 7 | 0320000007 | ESC 125-290 POMPA RULMAN KAPAĞI MOTOR TARAFI | 2.385,95 ₺ |
| 8 | 0320000008 | ESC 125-290 POMPA YAĞLAMA HALKASI | FİYAT SORUNUZ |
| 9 | 0320000009 | ESC 125-290 POMPA SALMASTRA BURCU | FİYAT SORUNUZ |
| | 0324480009 | ESC 125-290 POMPA SALMASTRA BURCU KESTAMİD | FİYAT SORUNUZ |
| 10 | 0320000010 | ESC 125-290 POMPA SALMASTRA BASKI BURCU | FİYAT SORUNUZ |
| 11 | 0320000011 | ESC 125-290 POMPA SALMASTRA BASKI BURCU KAPAĞI | 1.084,50 ₺ |
| 12 | 0028100004 | RULMAN 6309 | 1.048,35 ₺ |
| 13 | 0320000017 | 60X85X13 KEÇE | 79,42 ₺ |
| 14 | 0320000022 | PASLANMAZ KAMA A14*9*120 | 740,10 ₺ |
| 15 | ZFAB 00001 | SEGMAN DIN 471 Ø45 | 15,76 ₺ |
| 16 | 0320000016 | Ø214XØ6266XØ6 SEGMAN | 456,97 ₺ |
| 17 | 0320000012 | 12X12 BRAFLON 5846 YUMUŞAK SALMASTRA | 4.398,44 ₺ |
| 18 | 0320000014 | Ø211X5 ORİNG | 47,27 ₺ |
| 19 | 0320000013 | Ø48X3 ORİNG | 2,84 ₺ |
| 20 | ZFAB 00001 | Ø13X2,5 ORİNG | 3,15 ₺ |
| 21 | 0325620008 | ESC 150-330/1 ASBESTSİZ KLİNGERİT CONTA | 107,15 ₺ |
| | 0325620009 | ESC 150-330/2 ASBESTSİZ KLİNGERİT CONTA | 85,09 ₺ |
| 22 | 0320000021 | 125/290 SALMASTRA BASKI SAPLAMASI M16X75 | 100,85 ₺ |
| 23 | | SAPLAMA M 20X58 | 63,03 ₺ |
| 26 | 0810000046 | EFP 22-26 KÖR TAPA 1/2 | 48,85 ₺ |
| 29 | 0320000023 | PASLANMAZ KAMA A12*8*105 304 | 555,71 ₺ |
| 33 | 0322720024 | SALMASTRA MUHAFAZA SAÇI | 293,80 ₺ |

ESC SERİSİ PATLATILMIŞ GÖRÜNÜM

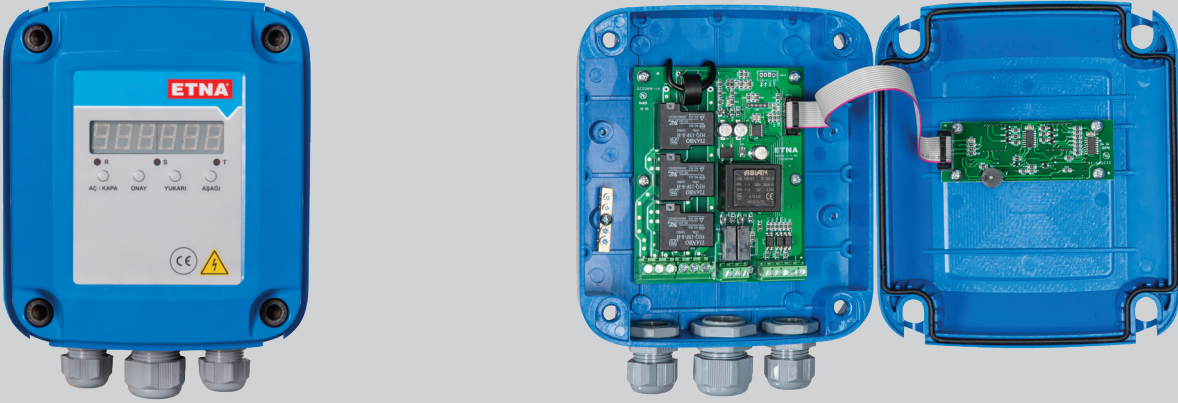


| PARÇA ADI | ADET | MALZEME |
|-----------|------|----------------------------|
| 1A | 1 | PIK DÖKME DEMİR / GG25 |
| 1B | 1 | PIK DÖKME DEMİR / GG25 |
| 2 | 1 | BRONZ / CUSN7 |
| 3 | 2 | PIK DÖKME DEMİR / GG25 |
| 4 | 1 | PASLANMAZ ÇELİK / AISI 420 |
| 5 | 2 | BRONZ / CUSN7 |
| 6 | 1 | PIK DÖKME DEMİR / GG25 |
| 7 | 1 | PIK DÖKME DEMİR / GG25 |
| 8 | 2 | BRONZ / CUSN7 |
| 9 | 2 | BRONZ / CUSN7 |
| 10 | 2 | BRONZ / CUSN7 |
| 11 | 2 | PIK DÖKME DEMİR / GG25 |
| 12 | 2 | Rulman Tablosuna Bakınız |
| 13 | 2 | KK-T NBR Ø60XØ85X13 |
| 14 | 1 | DIN 6885 Ç45K |
| 15 | 2 | DIN 471 |
| 16 | 4 | AISI 304 |
| 17 | 6 | BURAFLOK |
| 18 | 2 | NBR |
| 19 | 2 | NBR |
| 20 | 7 | NBR |
| 21 | 2 | t=1 mm |
| 22 | 4 | 10,2 |
| 23 | 14 | DIN125A |
| 24 | 2 | 10,2 |
| 25 | 8 | 10,2 |
| 26 | 7 | G3 / 8 |
| 27 | 4 | 8 |
| 28 | 2 | DIN125A |
| 29 | 1 | DIN 6885 Ç45K |
| 30 | 4 | DIN125A |
| 31 | 14 | DIN125A |
| 32 | 2 | DIN 6885-A |

| Parça Adı | Malzeme | | | | | | |
|----------------|---------|------|-------|--------|----------|----------|----------|
| | GG25 | GG40 | CuSn7 | CuSn10 | AISI 420 | AISI 316 | AISI 304 |
| ALT YARI GÖVDE | ◆ | ◇ | | | | | |
| ÜST YARI GÖVDE | ◆ | ◇ | | | | | |
| FAN | ◇ | | ◆ | ◇ | | | |
| ŞAFT | | | | | ◆ | ◇ | ◇ |

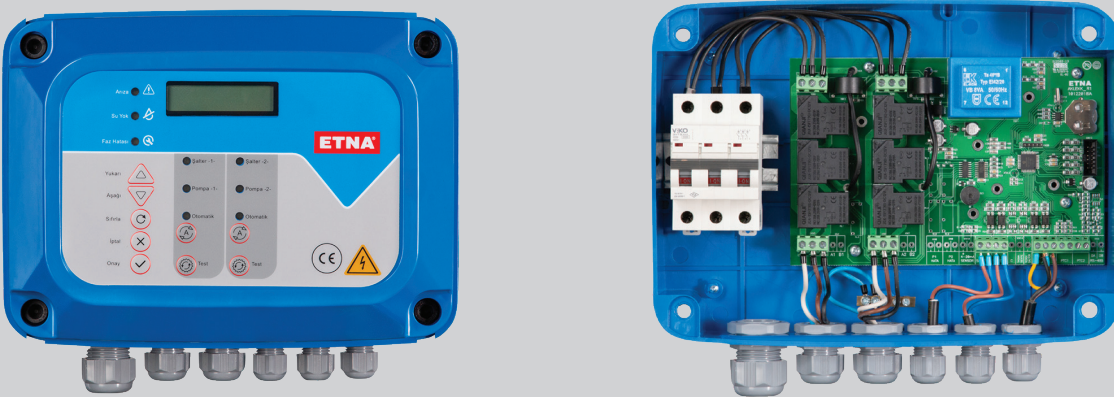
◆ Standart imalat
◇ Opsiyonel imalat

HYDROPAN TEKLI KONTROL PANOSU



| NO. | KOD | PARÇA ADI | LİSTE SATIŞ FİYATI |
|-----|-----------|-----------------------------------|--------------------|
| 1 | 037000011 | HYDROPAN2S (1 POMPALI) - MONOFAZE | 3500 ₺ |
| 2 | 037000001 | HYDROPAN4S (1 POMPALI) - TRİFAZE | 4000 ₺ |

HYDROPAN ÇİFTLİ KONTROL PANOSU



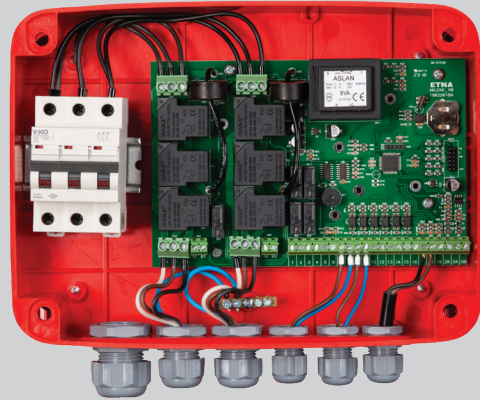
| NO. | KOD | PARÇA ADI | LİSTE SATIŞ FİYATI |
|-----|-----------|-----------------------------------|--------------------|
| 1 | 037000012 | HYDROPAN2D (2 POMPALI) - MONOFAZE | 8250 ₺ |
| 2 | 037000002 | HYDROPAN4D (2 POMPALI) - TRİFAZE | 8600 ₺ |

HYDROPAN TEKLİ ALARM KİTLİ KONTROL PANOSU



| NO. | KOD | PARÇA ADI | LİSTE SATIŞ FİYATI |
|-----|-----------|---|--------------------|
| 1 | 037000004 | HYDROPAN4SA (1 POMPALI ALARM KİTLİ) - TRİFAZE | 7500 ₺ |

HYDROPAN ÇİFTLİ ALARM KİTLİ KONTROL PANOSU



| NO. | KOD | PARÇA ADI | LİSTE SATIŞ FİYATI |
|-----|-----------|---|--------------------|
| 1 | 037000003 | HYDROPAN4DA (2 POMPALI ALARM KİTLİ) - TRİFAZE | 8700 ₺ |

HYDROPAN JOKEY POMPA KONTROL PANOSU



| NO. | KOD | PARA ADI | LİSTE SATIŞ FİYATI |
|-----|------------|-----------------------|--------------------|
| 1 | 003700001P | HYDROPAN PILOT PANOSU | 3800 ₺ |

HYDROKON MOTOR BAĞLANTILI FREKANS SÜRÜCÜSÜ



| NO. | KOD | PARA ADI | KW | LİSTE SATIŞ FİYATI |
|-----|-------------|---------------------------------|-----|--------------------|
| 1 | "0047620001 | ESP200-1100 (1/3 faz, 220VAC) | 1,1 | FİYAT SORUNUZ |
| 2 | "0047620002 | ESP200-1500 (1/3 faz, 220VAC) | 1,5 | |
| 3 | "0047620003 | ESP200-2200 (1/3 faz, 220VAC) | 2,2 | |
| 4 | "0047620004 | ESP400-1100 (3/3 faz, 380VAC) | 1,1 | |
| 5 | "0047620005 | ESP400-1500 (3/3 faz, 380VAC) | 1,5 | |
| 6 | "0047620006 | ESP400-2200 (3/3 faz, 380VAC) | 2,2 | |
| 7 | "0047620007 | ESP400-3000 (3/3 faz, 380VAC) | 3 | |
| 8 | "0047620008 | ESP400-4000 (3/3 faz, 380VAC) | 4 | |
| 9 | "0047620009 | ESP400-5000 (3/3 faz, 380VAC) | 5,5 | |
| 10 | "0047620010 | ESP400-7500 (3/3 faz, 380VAC) | 7,5 | |

BASINÇ ŞALTERİ



| NO. | KOD | PARÇA ADI | BASINÇ ARALIĞI (BAR) | MİNİMUM DİFERANS (ATÜ) | LİSTE SATIŞ FİYATI |
|-----|--------------|-----------------------------------|----------------------|------------------------|--------------------|
| 1 | 005 1105 000 | PA1 - Tahliyesiz | 1-5 | 1,1 | 500 ₺ |
| 2 | 005 1108 000 | PA4 Tahliyesiz | 2 - 8 | 1 | 500 ₺ |
| 3 | 005 1111 000 | PA2-PA2V (Tahliyeli - Tahliyesiz) | 3-11 | 2,2 | 500 ₺ |
| 4 | 005 1116 000 | PA3-PA3V (Tahliyeli - Tahliyesiz) | 4 - 16 | 3 | 500 ₺ |

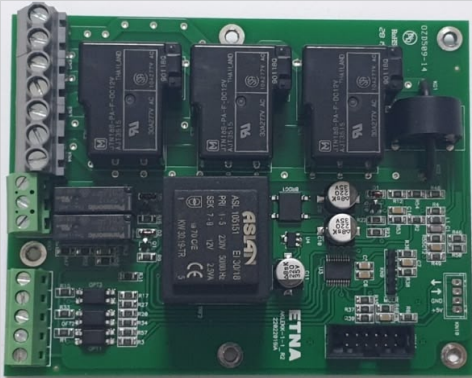
EHP SERİSİ KONTROL PANELİ ELEKTRONİK KARTI



| NO. | KOD | PARÇA ADI | LİSTE SATIŞ FİYATI |
|-----|------------|----------------------|--------------------|
| 1 | 0036000005 | EHP SERİSİ ELK. KART | 193,09 \$ |

*ÜRÜNE ÖZEL YAZILIM ATILMAKTADIR. ÜRÜN BİLGİSİ PAYLAŞINIZ.

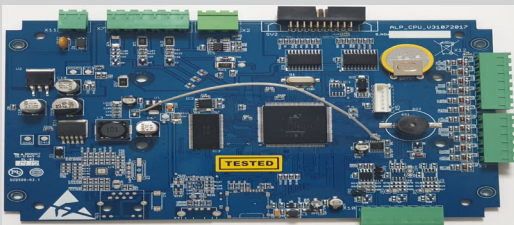
TEKLİ PANO TRİFAZE ELEKTRONİK KARTI



| NO. | KOD | PARÇA ADI | LİSTE SATIŞ FİYATI |
|-----|------------|-----------------------------|--------------------|
| 1 | 0037100020 | HYDROPAN TEKLİ 1/1 FAZ KART | 58,91 \$ |

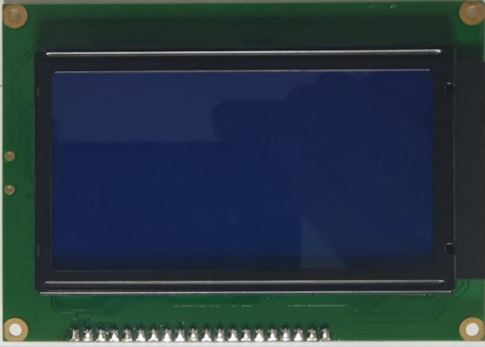
*ÜRÜN DİSPLAY KARTI İLE BİRLİKTE SEVK EDİLİR.

EPLC 6 ELEKTRONİK KARTI



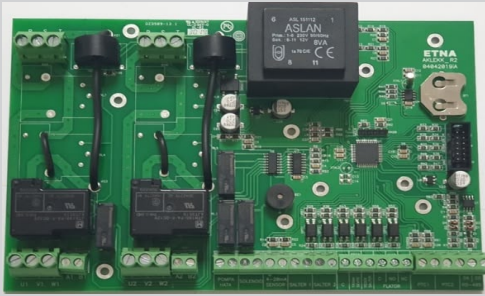
| NO. | KOD | PARÇA ADI | LİSTE SATIŞ FİYATI |
|-----|------------|-------------------------|--------------------|
| 1 | 0035000004 | EPLC 6 ELEKTRONİK KARTI | 158,74 \$ |

EHP PANEL DİSPLAY KART



| NO. | KOD | PARÇA ADI | LİSTE SATIŞ FİYATI |
|-----|---------------------------|------------------|--------------------|
| 1 | ZAFB KODU KULLANILACAKTIR | EHP SERİSİ EKРАН | 31,52 \$ |

HYDROPAN 2D ELEKTRONİK KART



| NO. | KOD | PARÇA ADI | LİSTE SATIŞ FİYATI |
|-----|------------|----------------------------|--------------------|
| 1 | 0037100024 | HYDROPAN 2 1F-2P FULL KART | 127,64 \$ |

***MONOFAZE TRİFAZE BİLGİSİ VERİLMELİDİR.
ÜRÜN DİSPLAY KARTI İLE BİRLİKTE SEVK EDİLİR.**

EPLC 6 DOKUNMATİK EKRANI



| NO. | KOD | PARÇA ADI | LİSTE SATIŞ FİYATI |
|-----|------|--------------------|--------------------|
| 1 | ZAFB | EPLC 6 EKРАН KARTI | 67,88 \$ |

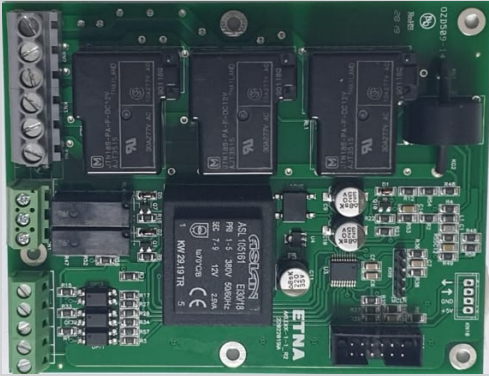
K SERİSİ YANGIN PANOSU KONTROL PANELİ



| NO. | KOD | PARÇA ADI | LİSTE SATIŞ FİYATI |
|-----|------------|----------------------|--------------------|
| 1 | 0036100000 | EHP-K KONTROL PANELİ | 256,62 \$ |

*ÜRÜNE ÖZEL YAZILIM ATILMAKTADIR. ÜRÜN BİLGİSİ PAYLAŞINIZ.

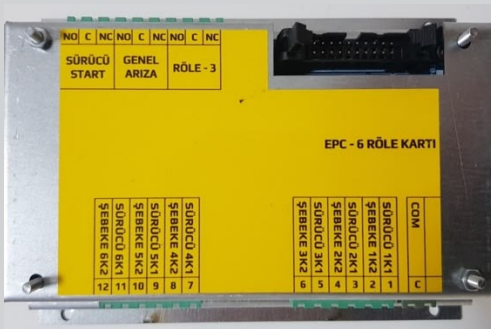
TEKLİ PANO TRİFAZE ELEKTRONİK KARTI



| NO. | KOD | PARÇA ADI | LİSTE SATIŞ FİYATI |
|-----|------------|-----------------------------|--------------------|
| 1 | 0037100021 | HYDROPAN TEKLİ 1/3 FAZ KART | 68,73 \$ |

*ÜRÜN DISPLAY KARTI İLE BİRLİKTE SEVK EDİLİR.

EPCL 6 RÖLE KARTI ÜNİTESİ



| NO. | KOD | PARÇA ADI | LİSTE SATIŞ FİYATI |
|-----|------------|---------------------------|--------------------|
| 1 | 0035111111 | EPCL 6 RÖLE KARTI ÜNİTESİ | 85,03 \$ |

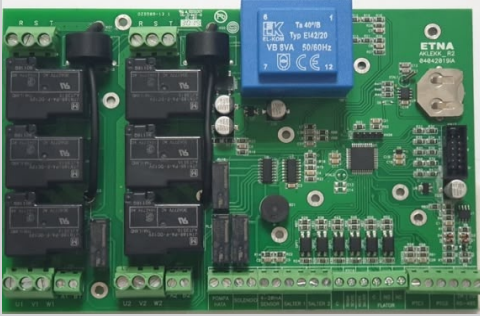
DAHİLİ YILDIZ-ÜÇGEN RÖLELİ 3 POMPALI KONTROL PANELİ



| NO. | KOD | PARÇA ADI | LİSTE SATIŞ FİYATI |
|-----|------------|---------------------------|--------------------|
| 1 | 0036200000 | EHP-YÜ 3P KONTROL ÜNİTESİ | 269,45 \$ |

*ÜRÜNE ÖZEL YAZILIM ATILMAKTADIR. ÜRÜN BİLGİSİ PAYLAŞINIZ.

HYDROPAN 4DA ELEKTRONİK KART & ALARM KİTLİ PANO ELEKTRONİK KARTI



| NO. | KOD | PARÇA ADI | LİSTE SATIŞ FİYATI |
|-----|------------|----------------------------|--------------------|
| 1 | 0037100023 | HYDROPAN 2 3F-2P FULL KART | 130,72 \$ |

*ÜRÜN DİSPLAY KARTI İLE BİRLİKTE SEVK EDİLİR.

TEKLİ PANO DİSPLAY KARTI



| NO. | KOD | PARÇA ADI | LİSTE SATIŞ FİYATI |
|-----|-----|-----------------------------|--------------------|
| 1 | | HYDROPAN DİSPLAY KART 2S-4S | 23,03 \$ |

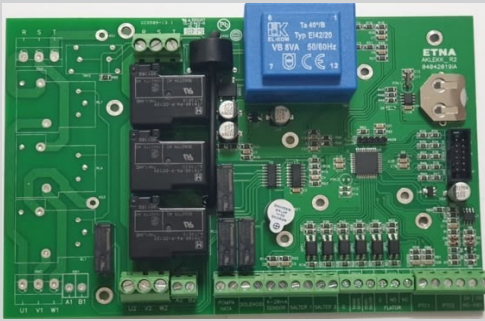
HARİCİ YILDIZ-ÜÇGEN RÖLELİ/ 6 POMPALI KONTROL PANELİ



| NO. | KOD | PARÇA ADI | LİSTE SATIŞ FİYATI |
|-----|------------|-------------------------|--------------------|
| 1 | 0036300000 | EHP- 6P KONTROL ÜNİTESİ | 269,45 \$ |

*ÜRÜNE ÖZEL YAZILIM ATILMAKTADIR. ÜRÜN BİLGİSİ PAYLAŞINIZ.

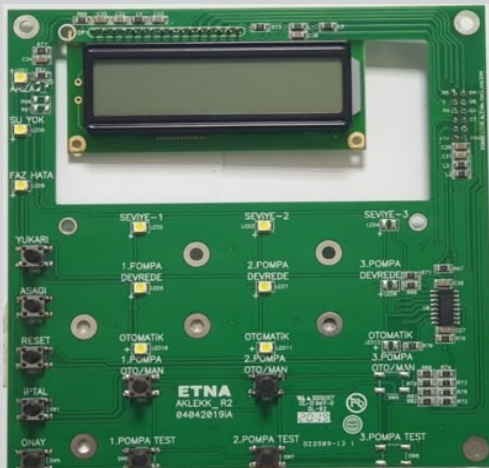
HYDROPAN 4SA TEK POMPALI ALARM KİTLİ PANO ELEKTRONİK KARTI



| NO. | KOD | PARÇA ADI | LİSTE SATIŞ FİYATI |
|-----|------------|----------------------------|--------------------|
| 1 | 0037100025 | HYDROPAN 2 3F-1P FULL KART | 117,82 \$ |

*ÜRÜN DİSPLAY KARTI İLE BİRLİKTE SEVK EDİLİR.

HYDROPAN 2 POMPALI DİSPLAY KARTI



| NO. | KOD | PARÇA ADI | LİSTE SATIŞ FİYATI |
|-----|-------------|------------------------------|--------------------|
| 1 | KOD SORUNUZ | HYDROPAN 2D - 4D - 4DA EKLAN | 32,73 \$ |

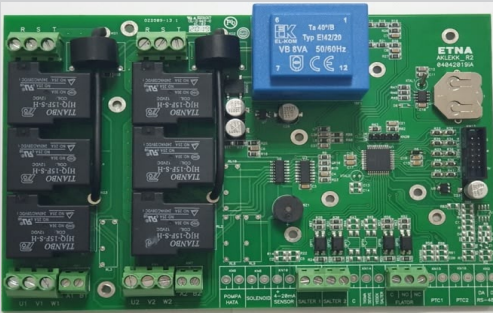
ELEKTRONİK TERMİK RÖLE 7,5kW A KADAR



| NO. | KOD | PARÇA ADI | LİSTE SATIŞ FİYATI |
|-----|------------|--------------|--------------------|
| 1 | 0035111112 | ETR-DT 0-25A | 46,90 \$ |

*ELEKTRONİK TERMİK RÖLE 7,5kW A KADAR 0-25A ARLIĞINDA KULLANILIR.

2 POMPALI HİDROFOR PANOSU ELEKTRONİK KARTI



| NO. | KOD | PARÇA ADI | LİSTE SATIŞ FİYATI |
|-----|------------|---------------------------|--------------------|
| 1 | 0037100022 | HYDROPAN 2 3F-2P BAZ KART | 176,73 \$ |

*ÜRÜN DİSPLAY KARTI İLE BİRLİKTE SEVK EDİLİR.

ELEKTRONİK TERMİK RÖLE



| NO. | KOD | PARÇA ADI | LİSTE SATIŞ FİYATI |
|-----|------------|----------------|--------------------|
| 1 | 0035111113 | ETR-DT 25-300A | 52,49 \$ |

*ELEKTRONİK TERMİK RÖLE 11kW VE ÜSTÜ GÜÇLERDE 25-300A ARLIĞINDA KULLANILIR

RÖLE KARTI ÜNİTESİ



| NO. | KOD | PARÇA ADI | LİSTE SATIŞ FİYATI |
|-----|------------|-----------------------|--------------------|
| 1 | 0035000000 | EPLC-6 KONTROL PANELİ | 233,51 \$ |

***RÖLE KARTI ÜNİTESİ AYRICA SİPARİŞ EDİLMELİDİR.**

ELEKTRONİK YEDEK PARÇA

| NO | KOD | PARÇA ADI | LİSTE SATIŞ FİYATI |
|----|--------------|-------------------------------|--------------------|
| 1 | 00242240 | DİZEL ELCOS ÖN PANEL | 699,31 € |
| 2 | 00242290 | ELEKTRİKLİ ELCOS ÖN PANEL | 509,78 € |
| 3 | 00010434 | CBS031 ELCOS REDRESÖR 12 VOLT | 183,00 € |
| 4 | 00010435 | CBS061 ELCOS REDRESÖR 24 VOLT | 220,73 € |
| 5 | 00242289 | CENTRALINA DCA-120/10 | 447,96 € |
| 6 | 001 7000 001 | HASSAS PROSESTAS KP 36 | 40,56 € |
| 7 | 001 7000 002 | HASSAS PROSESTAS KP 5 | 59,88 € |
| 8 | 00B00016 | 4-20MA-16BAR TRANSMİTTER | 61,14 € |
| 9 | C900008 | MOTOR CEKET ISITICISI | 4.367,83 ₺ |
| 10 | C900008IS | MOTOR CEKET RESİSTANSI | 2.546,27 ₺ |
| 11 | C900001 | 12 V 90 AMPER AKÜ | 11.747,27 ₺ |
| 12 | 16300001 | 3/8 MAZOT FLİTRESİ | 421,67 ₺ |
| 13 | 00260112 | ELCOS DEVİR SENSÖRÜ | 101,48 € |
| 14 | C005023 | FLATÖR 5 MT. KABLOLU | 16,39 € |
| 15 | 0035000000 | EPC6 KONTROL KARTI ÜNİTESİ | 233,51 \$ |
| 16 | 0035111111 | EPC6 RÖLE KARTI ÜNİTESİ | 85,03 \$ |

| NO | KOD | PARÇA ADI | LİSTE SATIŞ FİYATI |
|----|------------|-----------------------------------|--------------------|
| 1 | 0015521900 | H KAPLİN H095 KAPLİN LASTİĞİ | 40,43 ₺ |
| 2 | 0015521901 | H KAPLİN H110 KAPLİN LASTİĞİ | 49,16 ₺ |
| 3 | 0015521902 | H KAPLİN H125 KAPLİN LASTİĞİ | 55,69 ₺ |
| 4 | 0015521903 | H KAPLİN H140 KAPLİN LASTİĞİ | 81,44 ₺ |
| 5 | 0015521904 | H KAPLİN H160 KAPLİN LASTİĞİ | 130,13 ₺ |
| 6 | 0015521906 | H KAPLİN H180 KAPLİN LASTİĞİ | 130,00 ₺ |
| 7 | 0015521907 | H KAPLİN H200 KAPLİN LASTİĞİ | 248,18 ₺ |
| 8 | 0015521908 | H KAPLİN H225 KAPLİN LASTİĞİ | 249,38 ₺ |
| 9 | 0015511901 | YILDIZ KAPLİN Y65 KAPLİN LASTİĞİ | 88,40 ₺ |
| 10 | 0015511902 | YILDIZ KAPLİN Y80 KAPLİN LASTİĞİ | 123,76 ₺ |
| 11 | 0015511903 | YILDIZ KAPLİN Y95 KAPLİN LASTİĞİ | 144,37 ₺ |
| 12 | 0015511904 | YILDIZ KAPLİN Y110 KAPLİN LASTİĞİ | 167,98 ₺ |
| 13 | 0015511905 | YILDIZ KAPLİN Y125 KAPLİN LASTİĞİ | 279,92 ₺ |
| 14 | 0015511906 | YILDIZ KAPLİN Y140 KAPLİN LASTİĞİ | 383,07 ₺ |
| 15 | 0015511907 | YILDIZ KAPLİN Y160 KAPLİN LASTİĞİ | 500,93 ₺ |
| 16 | 0015511908 | YILDIZ KAPLİN Y180 KAPLİN LASTİĞİ | 736,67 ₺ |
| 17 | 0015511909 | YILDIZ KAPLİN Y200 KAPLİN LASTİĞİ | 884,00 ₺ |
| 18 | 0015511910 | YILDIZ KAPLİN Y225 KAPLİN LASTİĞİ | 1.149,20 ₺ |
| 19 | 0015511911 | YILDIZ KAPLİN Y250 KAPLİN LASTİĞİ | 1.414,40 ₺ |
| 20 | 0015511912 | YILDIZ KAPLİN Y300 KAPLİN LASTİĞİ | 3.094,00 ₺ |

**MERKEZ SERVİSİMİZE BAĞLI
TÜRKİYE GENELİNDE 100'DEN FAZLA
HIZLI VE GÜVENİLİR SERVİS NOKTAMIZ İLE
DAİMA YANINIZDAYIZ!**



Satış Sonrası Hizmetler

- Montaj Süpervizörlüğü
- Cihaz Devreye Alma
- Arıza Giderme
- Yedek Parça Temini

